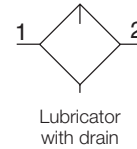


Lubricator



Symbol



- Integral 3/4" or 1" ports (BSPP & NPT)
- Robust but lightweight aluminum construction
- Proportional oil delivery over a wide range of air flows
- Possible to fill under system pressure eliminating down time
- Large oil reservoir

Options

L90		-	0			6		-	L			D			0			0	
Series			Thread type*			Port size			Lubricator			Bowl / drain							
Lubricator L90			NPT 0 BSPP C			3/4 6 1 8			L EconOmist™			Metal bowl / D sight gauge, no drain							

*Note: For 1-1/2" ported unit, please order P3YKA*BCP port block kit separately.
Bold items are most common.

Ordering information

Port size	Description	Flow‡ scfm	Max. bar (psig)	Min temp °C (°F)	Max temp °C (°F)	Bowl capacity cm ³ (oz)	Height mm (inches)	Width mm (inches)	Depth mm (inches)	Weight kg (lb)	Part number†
3/4"	Oil mist, fill under pressure	315	17.5 (254)	-10 (14)	60 (140)	500 (16.9)	247 (9.7)	90 (3.5)	94 (3.7)	0.8 (1.8)	L90-06-LD00
1"	Oil mist, fill under pressure	390	17.5 (254)	-10 (14)	60 (140)	500 (16.9)	247 (9.7)	90 (3.5)	94 (3.7)	0.8 (1.8)	L90-08-LD00

† Standard part numbers shown in bold. For other models refer to Options chart above.
‡ Flow with 6.3 bar (91.4 psig) inlet pressure and 0.5 (7.3 psig) pressure drop.

Specifications

Fluid	Compressed air
Maximum inlet pressure*	17.5 bar (254 psig)
Temperature range*	-10°C to 60°C (14°F to 140°F)

* Air supply must be dry enough to avoid ice formation at temperatures below 2°C (35.6°F).

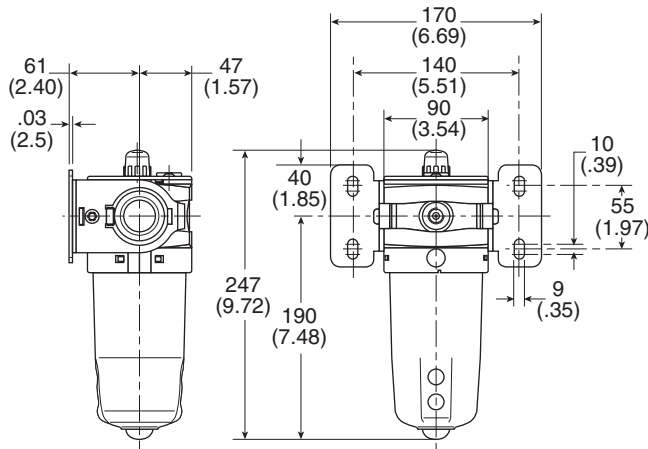
Low flow start point (lubrication pick-up): at 6.3 bar (91.4 psig) inlet pressure 0.5 dm³/s (1.1 scfm).

Flow with 6.3 bar (91.4 psig) inlet pressure and 0.5 bar (7.3 psig) pressure drop.

Material specifications

Body	Aluminum
Sight glass	Polypropylene
Sight dome	Polyamide
Lubricator cover	ABS
Top & bottom end cap	Glass filled nylon
Bayonet support	Nylon
Seals	Nitrile NBR

Dimensions mm (inches)

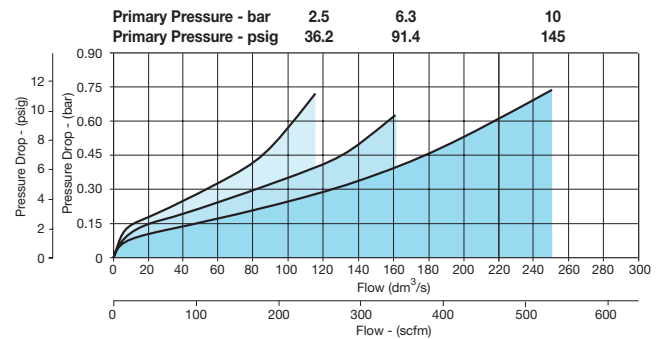


Service kits

Description	Part number
Bowl kit	P3YKA00BSN
Refill plug	P3YKA00PL
Lubricator oil	F442002

Flow characteristics

(3/4") Lubricator



(1") Lubricator

