

Lubricator L18 EconOmist™



Specifications

| | | |
|------------------------------|--------------------|--------------------------------------|
| Flow Capacity* | 1/4 | 88 SCFM (42 dm ³ /s, ANR) |
| | 3/8 | 90 SCFM (43 dm ³ /s, ANR) |
| | 1/2 | 96 SCFM (45 dm ³ /s, ANR) |
| Initial Drip Flow | 0.68 SCFM | |
| Maximum Supply Pressure | Plastic Bowl | 150 PSIG (10.3 bar) |
| | Metal Bowl | 250 PSIG (17.2 bar) |
| Minimum Flow for Lubrication | .7 SCFM @ 100 PSIG | |
| Operating Temperature | Plastic Bowl | 14° to 125°F (-10° to 52°C) |
| | Metal Bowl | 14° to 150°F (-10° to 65.5°C) |
| Port Size | NPT / BSPP-G | 1/4, 3/8, 1/2 |
| Bowl Capacity | 4 oz | |
| Weight | 0.68 lb. (0.31 kg) | |

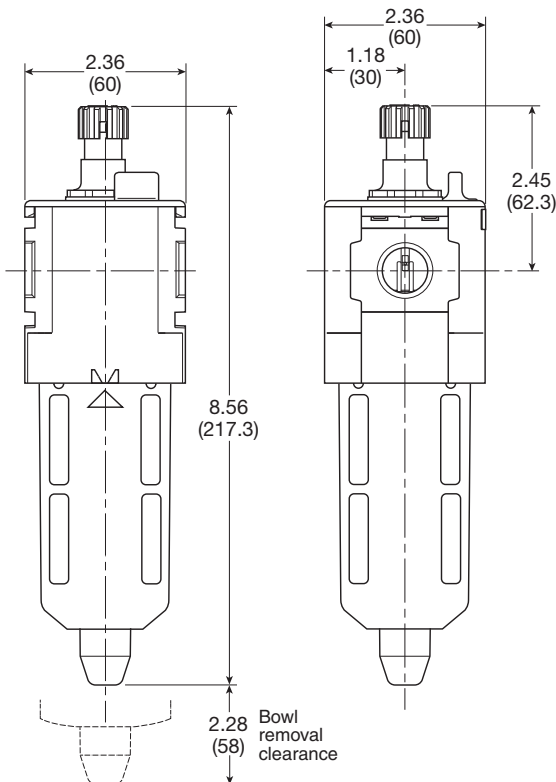
* Inlet pressure 91.3 PSIG (6.3 bar). Pressure drop 4.9 PSID (0.34 bar).

Materials of Construction

| | | |
|---------------------|---------------------|-------------------|
| Body | Aluminum | |
| Body Cap | ABS | |
| Bowls | Plastic Bowl | Polycarbonate |
| | Metal Bowl | Aluminum |
| Pick-up Filter | Sintered Bronze | |
| Seals | Plastic Bowl | Nitrile |
| | Metal Bowl | Nitrile |
| Sight Dome | Polycarbonate | |
| Sight Gauge | Metal Bowl | Polyamide (Nylon) |
| Suggested Lubricant | Airline Oil F442001 | |

Features

- Integral Sight Dome and Adjustment Knob
- 1/2" NPT / BSPP-G Over-port
- Can be Filled while Under Pressure
- Quick-disconnect Bowl / Bowl Guard
- Manual Drain
- High Flow Capacities



Inches (mm)

= "Most Popular"

Replacement Bowl Kits

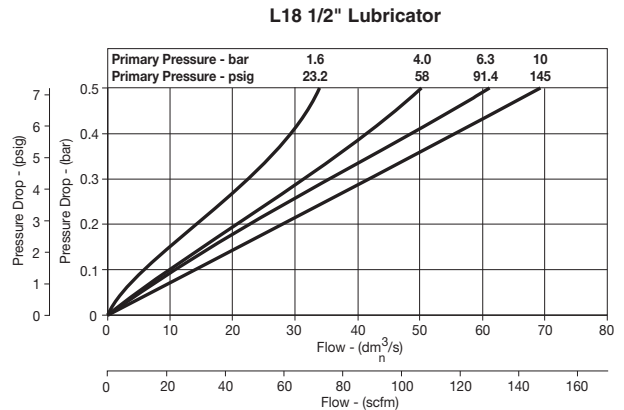
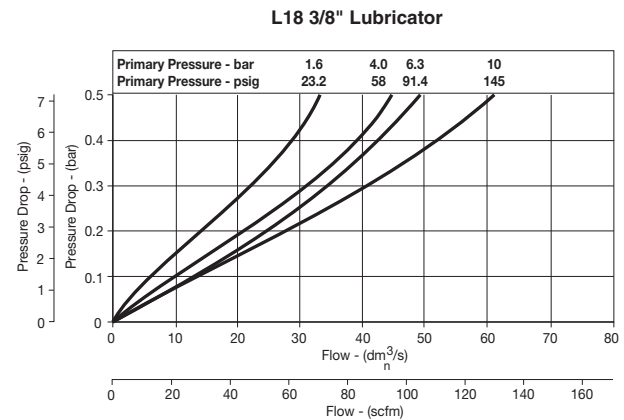
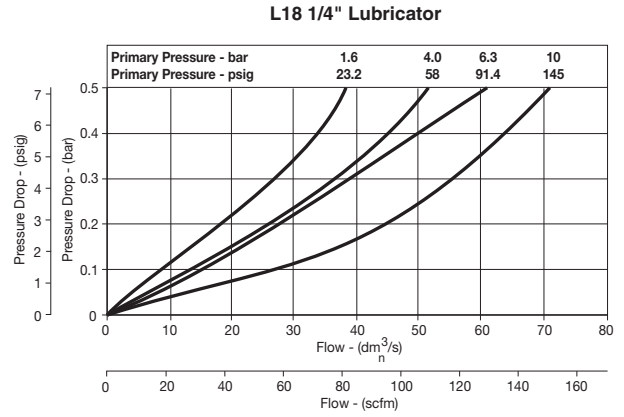
- Metal Bowl with Sight Gauge, Manual Drain..... GRP-96-636
- Plastic Bowl / Bowl Guard, Manual Drain..... LRP-96-701

Replacement Kits

- Bowl O-ring –
 - Fluorocarbon GRP-96-754
 - Nitrile..... GRP-96-640
- Bypass Assembly..... LRP-96-678
- Fill Plug Kit LRP-96-679
- Sight Dome Assembly –
 - Nylon..... LRP-96-720
 - Polycarbonate, L18-XX-KK00..... LRP-96-725
- Siphon Tube Assembly LRP-96-677

Accessories

- Force Fill Adapter..... LRP-96-704
- Manual Drain..... GRP-96-685
- Sight Gauge Kit..... GRP-96-825
- Wall Mounting Bracket –
 - L-Type GPA-96-604
 - T-Type GPA-96-602



Ordering Information

| Model Type | Port Size | Plastic Bowl / Bowl Guard | Metal Bowl / Sight Gauge |
|--------------|-----------|---------------------------|--------------------------|
| No Drain | 1/4 | L18-02-KC00B | L18-02-KD00B |
| | 3/8 | L18-03-KC00B | L18-03-KD00B |
| | 1/2 | L18-04-KC00B | L18-04-KD00B |
| Manual Drain | 1/4 | L18-02-KK00B | L18-02-KL00B |
| | 3/8 | L18-03-KK00B | L18-03-KL00B |
| | 1/2 | L18-04-KK00B | L18-04-KL00B |

Options - To order an option supplied with the unit model, add the appropriate coded suffix letter in the designated position of the model number.