

MRI 58A

MRI 58B

Magnetic Rotary Incremental Encoder



INCREMENTAL

- 58 mm case diameter
- 4 - 8 - 16 - 20 - 25 - 32 - 40 - 50, 64 - 80 - 100 - 125 - 128 - 160 - 200 - 250 - 256, 400 - 500 - 512 - 800 - 1000 - 1024 ppr.
- Push-Pull, TTL, Linedriver, Highlinedriver output
- Rod diameter 6 - 8 - 10 mm
- 3500 rpm max.



MRI A
Clamping flange

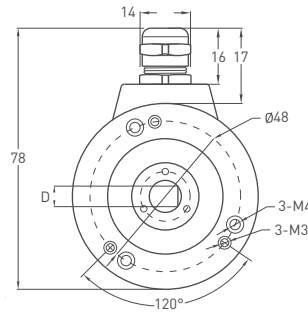
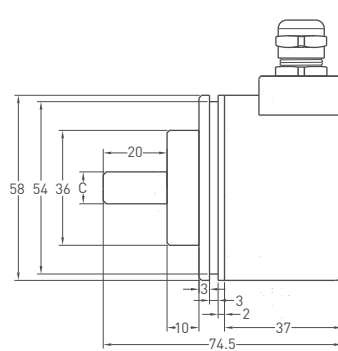


MRI B
Synchro flange

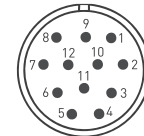
Technical Specifications

Type of measurement	Magnetic incremental non-contact
Resolution	4 - 1024 ppr.
Output channels	A, B, Z or A, \bar{A} , B, \bar{B} , Z, \bar{Z}
Output type	TTL, Linedriver, Push-Pull, Highlinedriver
Power supply	5 VDC, 5-24 VDC or 8-24 VDC
Power consumption (without load)	<40 mA (24 VDC)
Electrical connection	2,5 meter cable (standard)
Max. permissible shaft loading : Radial	60 N
: Axial	40 N
Displacement speed	3500 rpm
Rod diameter	Ø6 - 8 - 10 mm
Rod material	Stainless steel
Case dimensions	Ø58 mm
Case material	Aluminium / Steel
Protection level	IP 54
Operating temperature	-20°C ... +80°C
Storage temperature	-30°C ... +90°C

Mechanical Specifications



A Type (Clamping flange)



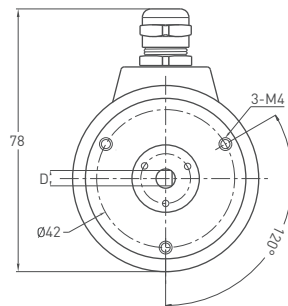
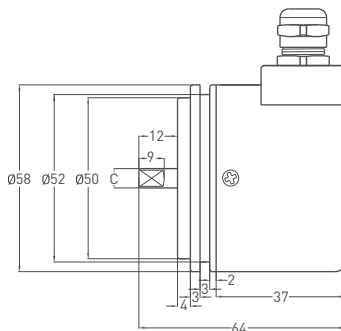
C12 Type connector
Please ask for connection details

Push-Pull Cable Output

- +V : Brown
- 0V : White
- GND : Shield
- Ch A : Yellow
- Ch B : Green
- Ch Z : Gray

TTL - HLD - Linedriver Cable Output

- +V : Brown
- 0V : White
- GND : Shield
- Ch A : Yellow
- Ch B : Green
- Ch Z : Gray
- Ch A inv : Blue
- Ch B inv : Red
- Ch Z inv : Pink



B Type (Synchro flange)

MRI 58	A (shaft)		B (shaft)	
	C	D	C	D
	Ø6 mm	5 mm	Ø6 mm	5 mm
Ø8 mm	7 mm	Ø8 mm	7 mm	
Ø10 mm	9 mm	Ø10 mm	9 mm	

Ordering Procedure

Model	Case diameter	Case type	Rod diameter	Output type	Resolution	Output signal	Power supply	Cable	Cable output
MRI	58	A	8	HLD	512	Z	V2	2M5	R
MRI	58 mm	A : Clamping flange AW : Watertight B : Synchro flange BW : Watertight	R6 : 6mm R8 : 8mm R10: 10mm	LTP : Push-Pull LD : Linedriver HLD : High Linedriver TT : TTL	4 - 1024 ppr.	Z : A, B, Z B : A, B ZZ : A \bar{A} , B \bar{B} , Z \bar{Z}	V1 : 5 VDC V2 : 8 - 24 VDC V3 : 5 - 24 VDC	2M5: 2,5 meter cable 5M : 5 meter cable 8M : 8 meter cable 10M : 10 meter cable	R : Radial A : Axial

Please note: The specifications and information in this datasheet may not cover all special demands arising from specific applications. Therefore, they do not constitute a comprehensive description of the product properties. OPKON accepts no responsibility for damages resulting from the improper application of our products. The user is responsible for ensuring that the products used are suitable for their own application.