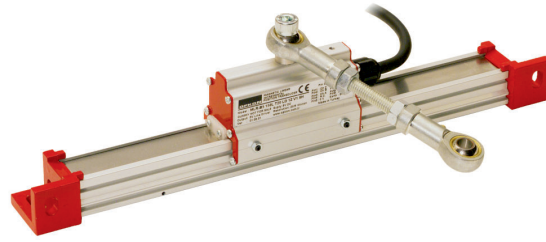
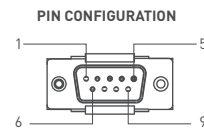
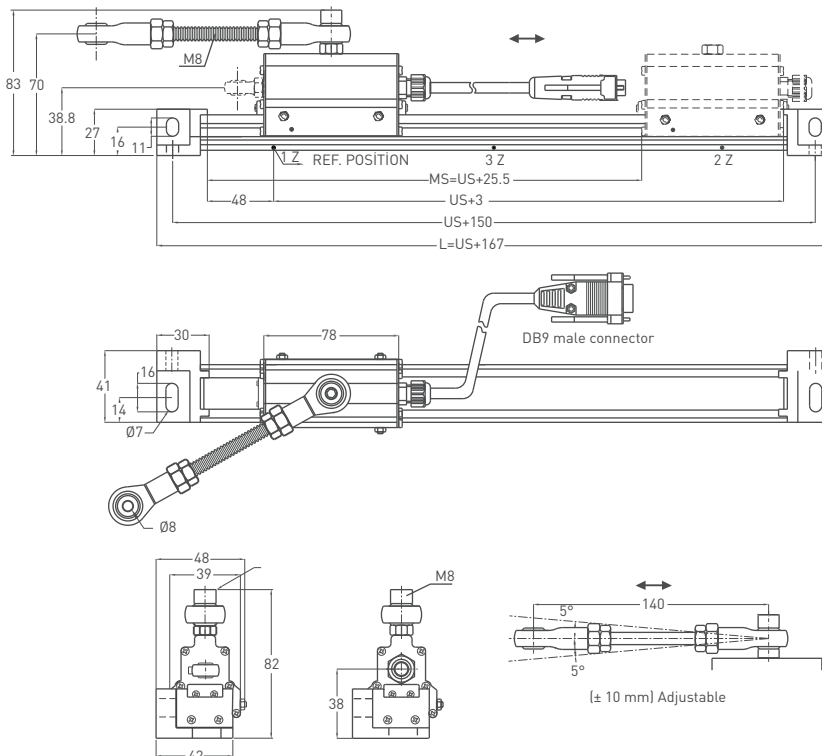


- Resolution options with 2,5 / 5 / 10 / 12,5 / 20 / 25 µm (4x mode)
- 150 - 720 mm measuring distance
- Non-contact magnetic scaling
- Teflon bedding system
- Selective reference position settings (1Z, 2Z, 3Z, 5Z)
- Push-Pull, HLD, Linedriver signal output options



Technical Specifications	
Type of measurement	Magnetic incremental contactless
Measurement stroke	150 - 720 mm
Resolution	2,5 / 5 / 10 / 12,5 / 20 / 25 µm
Accuracy	± 40 µm
Output channels	A, \bar{A} , B, \bar{B} , Z, \bar{Z}
Output type	TTL, Linedrive, HLD, Push-Pull
Power supply	5 VDC (standard), 8-24 VDC (optional)
Power consumption (without load)	< 40 mA (24 VDC)
Electrical connections	DB9 connector with 1m cable
Displacement speed	< 3m/s
Case material	Anodized aluminium
Mechanical connection	Adjustable from both sides
Protection level	IP 66
Operating temperature	-20°C ... +80°C
Storage temperature	-30°C ... +90°C

Mechanical Specifications



Cable Output
 +V : Brown
 0V : Blue
 A : Black
 B : White
 Z : Orange
 A inv. : Yellow
 B inv. : Green
 Z inv. : Red
 GND : Shield

9G Type Electrical Connections
 Pin 1 : Ch A
 Pin 2 : Ch A inv.
 Pin 3 : Ch Z
 Pin 4 : Ch B
 Pin 5 : Ch B inv.
 Pin 6 : Ch Z inv.
 Pin 7 : +V
 Pin 8 : GND
 Pin 9 : Shield

9H Tipi Electrical Connections
 Pin 1 : Ch Z
 Pin 2 : Ch B
 Pin 3 : Ch A
 Pin 4 : NC
 Pin 5 : GND
 Pin 6 : Ch Z inv.
 Pin 7 : Ch B inv.
 Pin 8 : Ch A inv.
 Pin 9 : +V

MLR (mm)	150	170	220	270	320	370	420	470	520	570	620	670	720
US (Measuring length)	153	173	223	273	323	373	423	473	523	573	623	673	723
MS (Mechanical length)	178,5	198,5	248,5	298,5	348,5	398,5	448,5	498,5	548,5	598,5	648,5	698,5	748,5
L (Total range)	317	337	387	437	487	537	587	637	687	737	787	837	887

Ordering Procedure

Model	Length	Resolution	Output type	Output channels	Power supply	Connector / Cable
MLR	270R	T20 (4x mode)	TT	B	V1	9G
MLR	270R : 270mm right 270L : 270mm left (150 - 720mm length)	T10 : 2,5 µm T20 : 5 µm T40 : 10 µm T50 : 12,5 µm T80 : 20 µm T100 : 25 µm	TT : TTL LD : Linedriver LTP : Linedriver HLD: High Linedriver	1Z : Ref. across the cable side 2Z : Ref. at cable side 3Z : Ref. middle 5Z : Continuous ref. B : Without reference	V1 : 5 VDC V2 : 8-24 VDC	9G : 9 pin connector with 1 m cable (standard) 9H : 9 pin connector with 1 m cable (standard)

Please note: The specifications and information in this datasheet may not cover all special demands arising from specific applications. Therefore, they do not constitute a comprehensive description of the product properties. OPKON accepts no responsibility for damages resulting from the improper application of our products. The user is responsible for ensuring that the products used are suitable for their own application.