

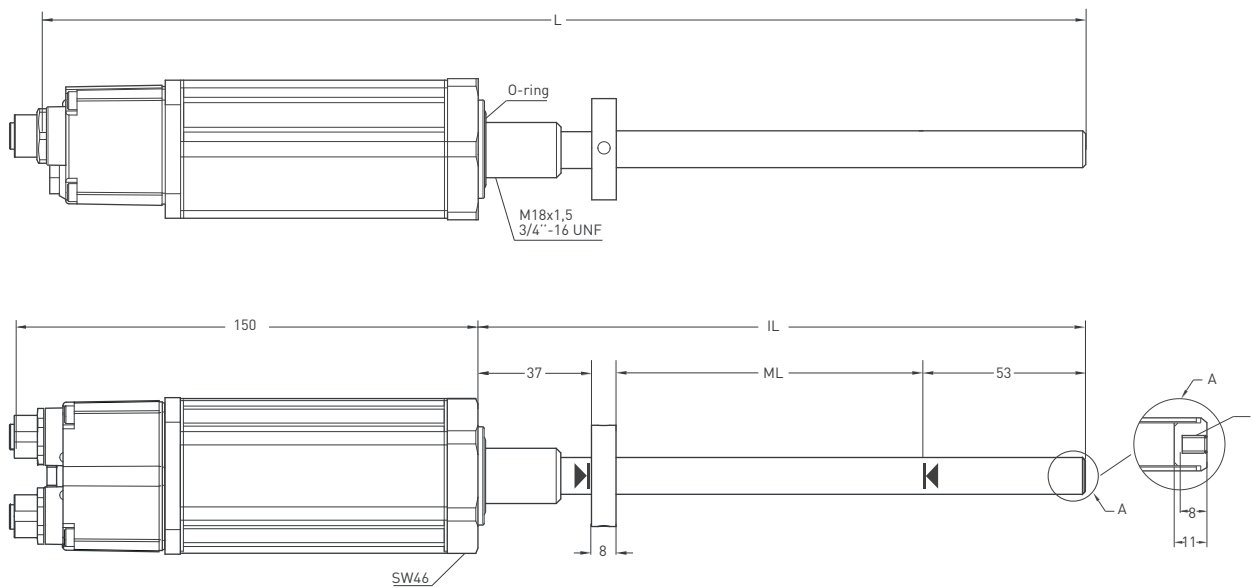
**Non-Contact
Magnetostrictive Position Sensor**



- Measuring length 100 - 5000 mm
- PROFIBUS protocol
- 24 VDC power supply

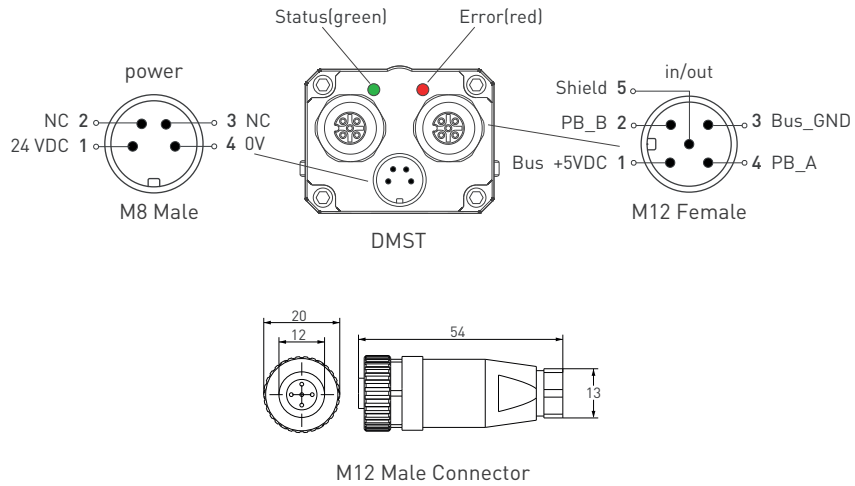
Technical Specifications	
Measurement stroke	100 - 5000 mm
Resolution	25µm (50mm-400mm), 50µm (450mm-3000mm), 100µm (4000mm-5000mm)
Repeatability	100 µm
Output	PROFIBUS
Power supply	24 VDC ±10%
Displacement speed	max. < 5 m/s
Max. consumption	<100 mA (depending on stroke length)
Linearity	100 mm < %1, 100-300 mm < %0.2, 300-500 mm < %0.1, 500-5000 mm > %0.05
Reverse polarity protection	Up to -30 VDC
Overvoltage protection	Up to +30 VDC
Uptime time	1 ms (at 1 Mbit/s)
Interface	RS422 / RS485
Data-length	16 bit
Baud rate	max. 12 Mbit / sec. (auto dedection)
Diagnostic LEDs	Green led : Power on, BUS communication active Red led : Error, Stop mode
Linedriver	Galvanic isolated
Communication	PROFIBUS
Protocol	PROFIBUS V0 / V1 / V2
Protection level	IP 65
Operating temperature	-10°C ... +70°C
Storage temperature	-30°C ... +90°C
Sensor adress (Default Node ID)	20

Mechanical Specifications

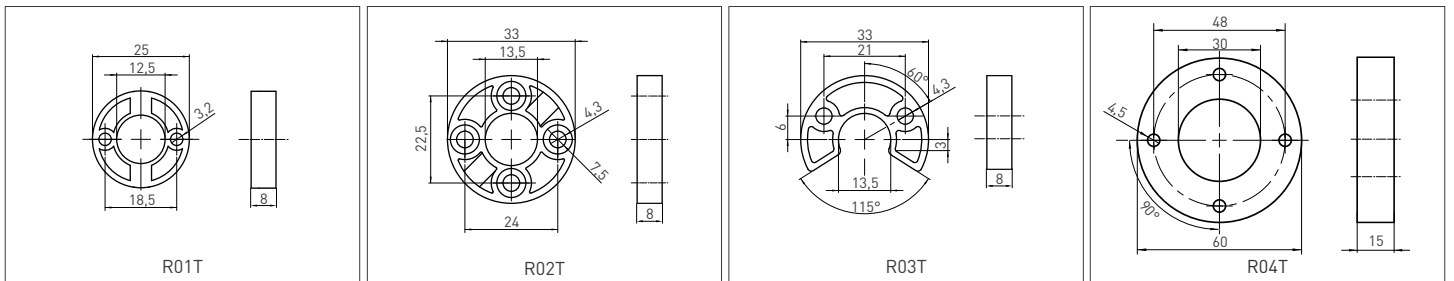


DMST (mm)	100	150	200	250	300	350	400	450	500	550	600	650	700	750	800	850	900	1000	1100	1200	1300	1400	1500	1750	2000	2250	2500	3000	4000	5000
ML (Measuring Length)	100	150	200	250	300	350	400	450	500	550	600	650	700	750	800	850	900	1000	1100	1200	1300	1400	1500	1750	2000	2250	2500	3000	4000	5000
IL (Installation Length)	198	248	298	348	398	448	498	548	598	648	698	748	798	848	898	948	998	1098	1198	1298	1398	1498	1598	1848	2211	2461	2711	3211	4211	5211
Total Length	348	398	448	498	548	598	648	698	748	798	848	898	948	998	1048	1098	1148	1248	1348	1448	1548	1648	1748	1998	2341	2591	2841	3341	4341	5341
Dead Zone Calculation																	37/53 mm													

Connection



Cursor



Ordering Procedure

Model	Measurement stroke	Rod & Thread	Sealing surface	Protocol	Node - ID	Termination	Cursor	Dead zone
DMST	150	E12	S	PFB	20	1S0	1R02T	37/53
DMST	100 - 5000 mm	E10 : Ø10 , M18x1,5 E12 : Ø12 , M18x1,5 U10 : Ø10 , 3/4"-16 UNF U12 : Ø12 , 3/4"-16 UNF	S: O-ring F: Flat	PFB: Profibus	1 - 127	Termination: 1S0: off 1S1: on	1R01T: 25 mm 1R02T: 33 mm 1R03T: 33 mm 1R04T: 60 mm	≤ 2000 mm 30/53 37/53 47/53 57/53 67/53 77/53 30/60 51/63 > 2000-3000 mm 130/53 > 3000-5000 mm 150/53

* T-coded sensors are used with T-coded cursors.