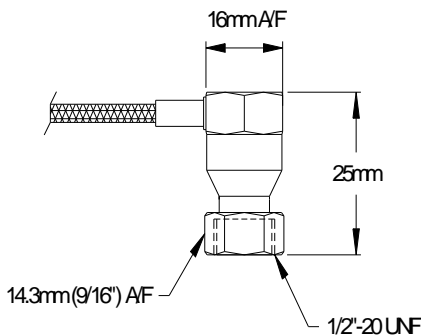


Small footprint, general purpose, side-entry constant current accelerometer with an isolated AC output. Made from robust stainless steel throughout for long term vibration analysis in harsh environments. Specially adapted for use on light weight, high speed machinery. Includes Sealed to IP67 and includes integral stainless overbraided ETFE cable with quick release, swivel base. Ultra-slim 15mm body and only 25mm high, ideal for use in restricted areas.

MTN/1135C



Dimensions



Applications

- General Industry
- Machine Tools
- Spindles

Technical

Sensitivity	100mV/g +/-10% at 80 Hz
Frequency Response	0.8Hz to 10KHz +/-5% (-3 dB at 0.5Hz)
Mounted Base Resonance	22 kHz (nominal)
Isolation	Base Isolated
Dynamic Range	+/-50 g
Temperature Sensitivity	0.08 %/°C
Transverse Sensitivity	Less than 5%
Electrical Noise	0.1 mg max
Current Range	0.5 mA to 8 mA
Temperature Range	-25 to 140 °C
Bias Voltage	12 Volts DC (nominal)
Case Material	Stainless steel
Cable	Integral s/s o/b single core ETFE
Standard Cable Length	5 metres
Maximum Cable Length	100 metres
Mounting Torque	8 Nm
Weight	30 gms (nominal)
Sealing	IP67

Mounting Adaptors and Studs

Stud Adaptors



Part #	From	To
MS139	1/2"-20 UNF	M6
MS140	1/2"-20 UNF	Glue
Other Metric Adaptors Available on Request		

Order Code Part No	Mounting	xx = Optional sensitivity range Available (+/- 10%)
MTN/1135CQN--xx	1/2" -20 UNF Female	10 mV/g 30 mV/g 50 mV/g 500 mV/g

System Connection

