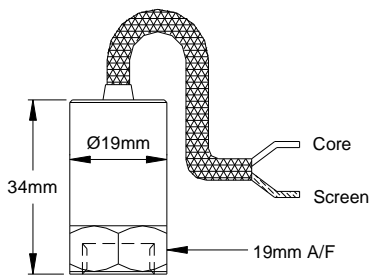


Small footprint, general purpose, top-entry, constant current accelerometer with isolated AC output. Made from robust stainless steel throughout for long term vibration analysis in harsh environments. Sealed to IP67 and includes stainless overbraided ETFE cable. Available with a wide range of mountings and 19mm diameter base.

## MTN/1120C



## Dimensions



## Applications

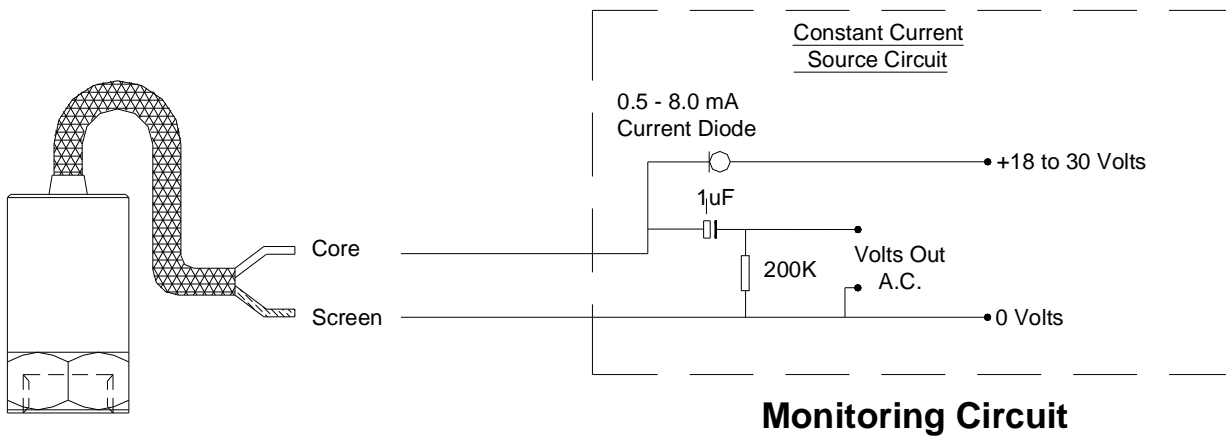
- Paper Machinery
- General Industry
- Pumps, Fans, etc
- Air Handling Units
- Machine Tools

## Technical

|                         |                                       |
|-------------------------|---------------------------------------|
| Standard Sensitivity    | 100 mV/g +/-10% Nominal at 80 Hz      |
| Frequency Response      | 2 Hz to 10 KHz +/-5% (-3dB at 0.8 Hz) |
| Mounted Base Resonance  | 20 KHz (nominal)                      |
| Isolation               | Base Non-Isolated                     |
| Transverse Sensitivity  | Less than 5%                          |
| Dynamic Range           | +/-80g                                |
| Electrical Noise        | 0.1 mg max                            |
| Current Range           | 0.5 mA to 8 mA                        |
| Temperature Range       | -55 to 140 °C                         |
| Temperature Sensitivity | 0.08 %/°C                             |
| Bias Voltage            | 12 Volts DC (nominal)                 |
| DC Supply               | 18 to 30 Volts                        |
| Case Material           | Stainless steel                       |
| Cable                   | Integral S/S overbraided ETFE         |
| Standard Cable Length   | 5 metres                              |
| Maximum Cable Length    | 100 metres                            |
| Mounting Torque         | 8 Nm                                  |
| Weight                  | 45 gms (nominal)                      |
| Sealing                 | IP67                                  |

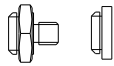
| Order Code Part No                                                   | Mounting                                                           | xx = Optional sensitivity range Available (+/- 10%) |
|----------------------------------------------------------------------|--------------------------------------------------------------------|-----------------------------------------------------|
| MTN/1120CF-xx<br>MTN/1120CQ-xx<br>MTN/1120CF6-xx<br>MTN/1120CF1/4-xx | 10-32 UNF Female<br>Quick Fit Female<br>M6 Female<br>¼" UNF Female | 10 mV/g<br>30 mV/g<br>50 mV/g                       |

## System Connection



## Mounting Adaptors and Studs

### Quick Fit Adaptors (1120 Quick Fit (Q/F))



| Part # | From     | To             |
|--------|----------|----------------|
| MS010  | Q/F Male | Glue base      |
| MS055  | Q/F Male | M8 Male        |
| MS072  | Q/F Male | M6 Male        |
| MS102  | Q/F Male | 10-32 UNF Male |
| MS117  | Q/F Male | ¼"-28 UNF Male |

### 1120 Stud supplied as standard

| Part # | From           | To      |
|--------|----------------|---------|
| MS021  | ¼"-28 UNF Male | M8 Male |