

General purpose side-entry constant current accelerometer with 3 isolated AC outputs (X,Y and Z axes) and a 4 pin M12 connector. Internal electronics are isolated to minimise noise with increased bias voltage stability. Ideal for any application where vibration in all three spatial axes needs to be measured.

MTN/1330



Applications

- Aerospace
- Automotive
- Research and development

Technical

Standard sensitivity 100mV/g $\pm 10\%$ nominal @ 80Hz

Frequency response 2 Hz to 9 kHz $\pm 5\%$ (-3 dB @ 0.8 Hz)

Isolation Base isolated

Transverse sensitivity <10%

Acceleration range $\pm 80g$

Operating temperature -25 to 125°C

Bias voltage 12VDC (nominal)

Case material Aluminium

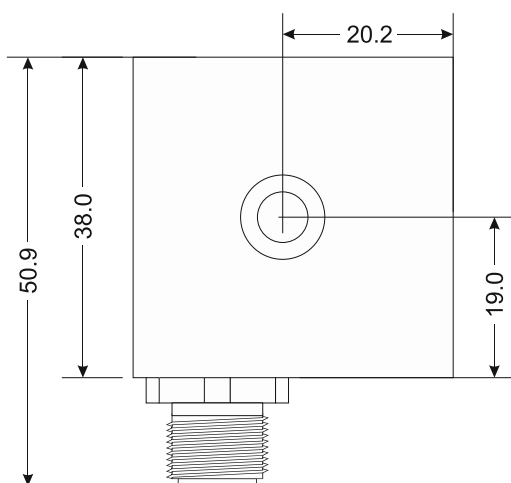
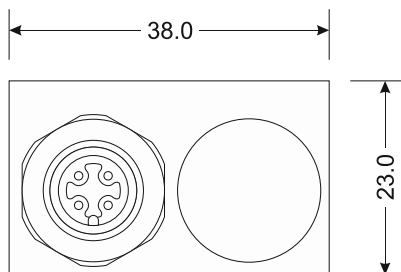
Mounting 1 point M6x25 cap head (supplied)

Connector 4 pin M12

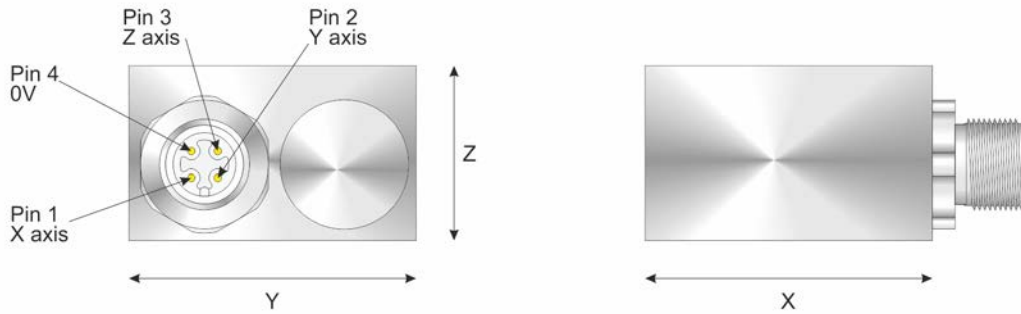
Weight 100g (nominal)

Sealing IP54

Dimensions

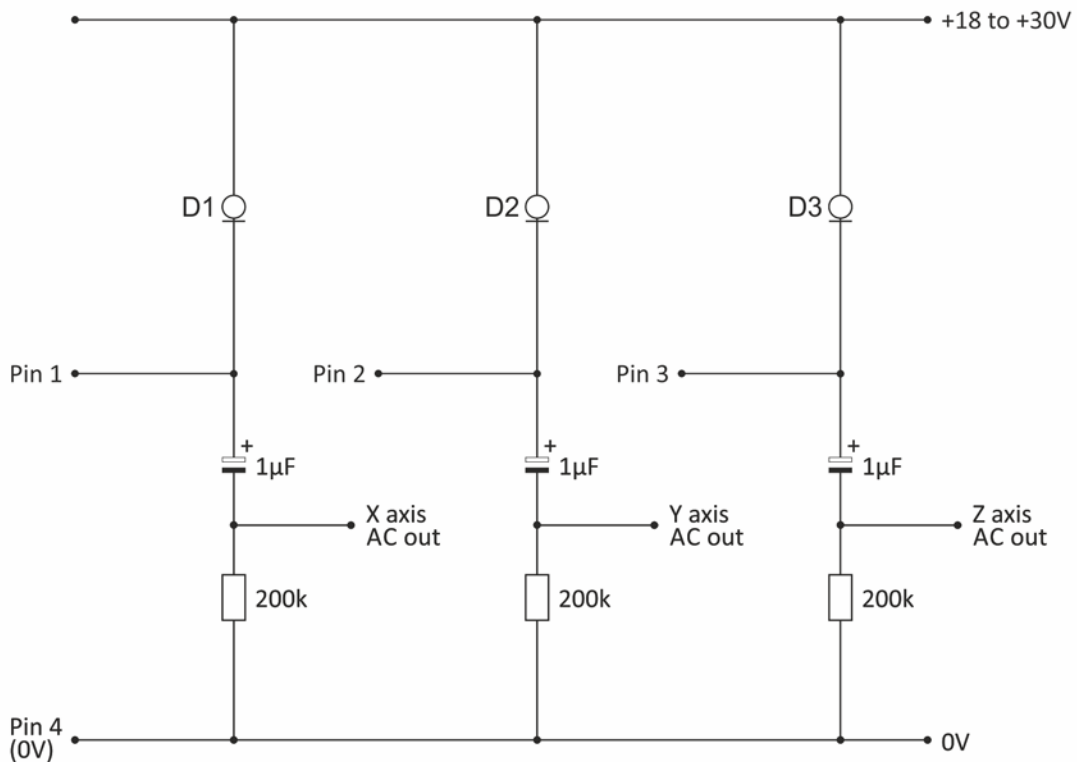


Pin connections



System connection

Constant current source circuit



D1;D2;D3 Constant current diode (0.5-8.0mA)