

Specification

- IP65 waterproof coil.
- Continuous cycle, 100% ED.
- Ex coil is EExm II T4 or EEx ia II C T6 PTB approval.
- Response time: ON 5~20ms, OFF 10~40ms.

Power consumption

Coil power	2	3	2E	4	5	3E
AC (VA)	6.9	8.0	5.3	19.5	23.0	9.2
DC (W)	6.0	6.8	5.2	15.0	18.5	10.0

Dimensions

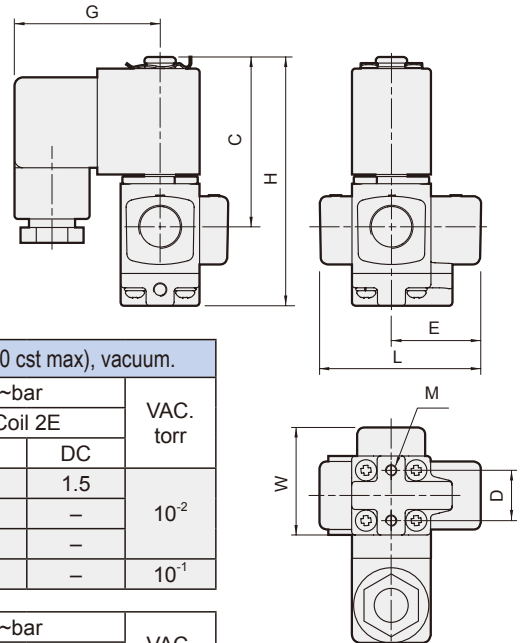
Model	MUT			
Code Dimension (mm)	03	06	08	10
C	48		65	
D	14		22	
E	25		29	
G	51		57	
H	69		87	
L	46		51	
M	M3		M4	
W	32		39	
N.W (kg)	2, 4	0.33	0.5	
	3, 5	0.31	0.6	
	2E, 3E	0.58	0.8	

Order example

MUT - 10 - 2 - 3 - □ - AC110 - □

MODEL	CODE	FIG.	COIL	VOLTAGE	PORT THREAD
	03: 1/8 06: 1/4 08: 1/4 10: 3/8	1 2 3 4	2, 3, 2E 4, 5, 3E (*)	AC220V(50/60)Hz AC110V(50/60)Hz DC24V	Blank: Rc thread G: G thread NPT: NPT thread
			PLUG		
				Blank: DIN D: LED G: 1/2" NPT Y: 2 wires (only for coil #2)	

* Explosion-Proof (2E/3E) coil with LED (D) plug is not applicable.



Specification

Model MUT: Forged brass body, 3/2 way N.C., N.O., for water, air, gas, light oil, heavy oil (120 cst max), vacuum.										
Code (Port)	Fig. no.	Seal mat'l	Coil	Orifice mm	Mat'l	Working pressure 0~bar				VAC. torr
					Temp. °C	Coil 2		Coil 2E		
					V	AC	DC	AC	DC	
03(1/8) 06(1/4)	1	V*	2 3 2E	1.0	-5~95	6	6	5.5	1.5	10 ⁻²
	2			5		5	4.5	-		
	3			2.5		2	2	-		
	4			1.5		0.7	1.5	-	10 ⁻¹	
Code (Port)	Fig. no.	Seal mat'l	Coil	Orifice mm	Mat'l	Working pressure 0~bar				VAC. torr
					Temp. °C	Coil 4		Coil 3E		
					V	AC/DC	AC/DC	AC	DC	
08(1/4) 10(3/8)	1	V*	4 5 3E	1.3	-5~95	10	14	8	7	10 ⁻²
	2			7		12	7	4		
	3			6		10	5	2		
	4			5		8	5	1.5	10 ⁻¹	

* V: Viton (FKM)