



### Specification

- IP65 waterproof coil.
- Continuous cycle, 100% ED.
- Open: 50~200ms, Close: 100~400ms

### Power consumption

Coil power	5	5K	6	6K
AC (VA)	-	21	-	30
DC (W)	18.5	-	25	-

### Dimensions

Model	MUPH			
Code Dimension (mm)	06	10	15	20
<b>C</b>	79	80.5	102	105
<b>D</b>	25.5		41.7	
<b>H</b>	97		128	126
<b>L</b>	5, 5K	82		-
	6, 6K	-		99
<b>M</b>	M4		M5	
<b>W</b>	45		70	
N.W (kg)	5, 5K	0.46 (0.45)*		-
	6, 6K	-	0.97 (0.89)*	0.99 (0.91)*

\* ( ) The value for PVC body material.

### Order example

**MUPH - 15 - 1 - T - A - D - AC220**

MODEL

CODE

FIG.

COIL

VOLTAGE

06: 1/4  
10: 3/8  
15: 1/2  
20: 3/4

1,2,3

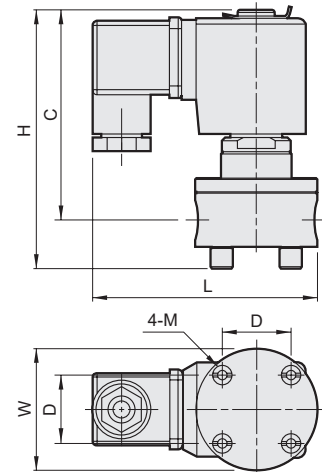
BODY MAT'L

T: PTFE  
P: PVC

PLUG

Blank: DIN  
D: LED  
K: Rectifier  
X: Rectifier w/ Lamp  
(AC coil should have rectifier plug)

AC220V(50/60)Hz  
AC110V(50/60)Hz  
DC24V



### Specification

Model **MUPH**: PTFE/PVC Body, for sulfuric acid, hydrochloric acid, chemically corrosive fluids.

Code (Port)	Fig no.	Body mat'l	Coil	Orifice mm	Temp. °C	Working press. (0~ bar)		CV	
						Coil 5,5K	Coil 6,6K		
06(1/4)	1	T P	5 5K	2.5	-5 ~ 80 (PTFE)	-	-	0.11	
	2			4				0.26	
	3			6				0.57	
10(3/8)	1			4				0.3	
	2			6				0.6	
	3			8				0.9	
15(1/2)	1		6 6K	6		-	-	1.8	0.8
	2			9				1.2	
	3			12				1.6	
20(3/4)	1	10		1.5					
	2	15		2.5					
		0.5		2.5					