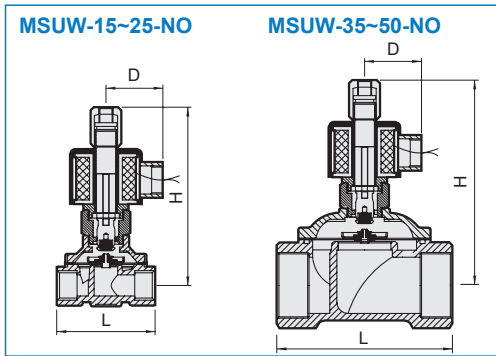
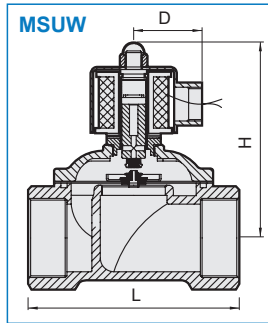
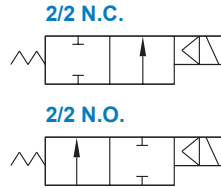


MSUW / MSUW-NO series



2/2 WAY N.C., N.O. DIAPHRAGM TYPE SOLENOID VALVE

2-WAY normally closed / normally open solenoid valve.
Available fluid: Water, air, light oil, gas and vacuum.



Specification

- Direct and multiplex drive, connected diaphragm, normal close / normal open.
- Can be operated directly under low pressure.
- Acceptable for customization Viton (130°C), Silicone (130°C) and EPDM (130°C) for seal plug and diaphragm.
- AC voltage tolerance: $\pm 10\%$
- DC voltage tolerance: $\pm 1\%$

Material

Parts name	Material
Body	Stainless steel #304 (option #316)
Coil	Special copper wire (H class)
Core	Stainless steel
Tube	Stainless steel
Spring	Stainless steel
Plug	NBR
Diaphragm	NBR

Caution

- Before pipelining, the pipe line must be very clean without any contaminants or impurity.
- To extend the lifetime, Y-line filter should be installed in the front end of solenoid valve.
- It should be installed horizontally; vertical installation is not advisable.

Not for fluid of

- Liquid when heat, solid when cool.
- Corrosive fluid.
- Viscosity over 20 cst.

Order example

MSUW — 20 — NO — □ — □ — AC110 — G

MODEL

PORT SIZE
15: 1/2"
20: 3/4"
25: 1"
35-1: 1 1/4"
40-1: 1 1/2"
50-1: 2"

Blank: Normally closed
NO: Normally open

COIL

Blank: Standard coil
D: DIN terminal (under 130°C)

FLUID

W: Water, air
G: Gas
LO: Light oil (*)
VA: Vacuum

VOLTAGE

AC220V(50/60)Hz
AC110V(50/60)Hz
DC24V

PORT THREAD

Blank: Rc thread
G: G thread
NPT: NPT thread

* Note, if diesel fuel or gasoline.

	Model	DIN	Port size	CV	Orifice (mm)	Fluid temp. °C	Operating pressure range (MPa)				High pressure type		Vacuum Torr	Dimensions (mm)			Weight (kg)
							Water	Air	Light oil	Gas	Water	Air		L	H	D	
NC	MSUW-15	•	Rc1/2"	4.5	15	-5~+80	0~0.5	0~0.7	0~0.5	—	0.05~1	0.05~2	0~10 ⁻³	70	100	48	1.0
	MSUW-20	•	Rc3/4"	8.6	20	-5~+80	0~0.5	0~0.7	0~0.5	—	0.05~1	0.05~2	0~10 ⁻³	76	100	48	1.1
	MSUW-25	•	Rc1"	12.0	25	-5~+80	0~0.5	0~0.7	0~0.5	—	0.05~1	0.05~2	0~10 ⁻³	100	115	48	1.65
	MSUW-35-1		Rc1 1/4"	24.0	35	-5~+80	0~0.5	0~0.7	0~0.5	—	0.05~1	0.05~2	0~10 ⁻³	123	112	48	2.33
	MSUW-40-1		Rc1 1/2"	28.0	40	-5~+80	0~0.5	0~0.7	0~0.5	—	0.05~1	0.05~2	0~10 ⁻³	123	112	48	2.54
	MSUW-50-1		Rc2"	48.0	50	-5~+80	0~0.5	0~0.7	0~0.5	—	0.05~1	0.05~2	0~10 ⁻³	167	125	48	4.59
NO	MSUW-15-NO		Rc1/2"	4.5	15	-5~+80	0~0.5	0~0.7	0~0.5	0~0.7	—	—	0~10 ⁻³	70	126	48	1.0
	MSUW-20-NO		Rc3/4"	8.6	20	-5~+80	0~0.5	0~0.7	0~0.5	0~0.7	—	—	0~10 ⁻³	76	132	48	1.1
	MSUW-25-NO		Rc1"	12.0	25	-5~+80	0~0.5	0~0.7	0~0.5	0~0.7	—	—	0~10 ⁻³	100	139	48	1.65
	MSUW-35-1-NO		Rc1 1/4"	24.0	35	-5~+80	0~0.5	0~0.7	0~0.5	0~0.7	—	—	0~10 ⁻³	123	140	48	2.5
	MSUW-40-1-NO		Rc1 1/2"	28.0	40	-5~+80	0~0.5	0~0.7	0~0.5	0~0.7	—	—	0~10 ⁻³	123	140	48	2.7
	MSUW-50-1-NO		Rc2"	48.0	50	-5~+80	0~0.5	0~0.7	0~0.5	0~0.7	—	—	0~10 ⁻³	167	150	48	4.73

* High pressure type use N/O coil. * Connect air source to outlet port for vacuum application.

* Please consult your sales representative for waterproof coils and other customization requirement.