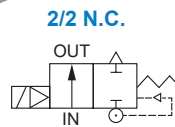
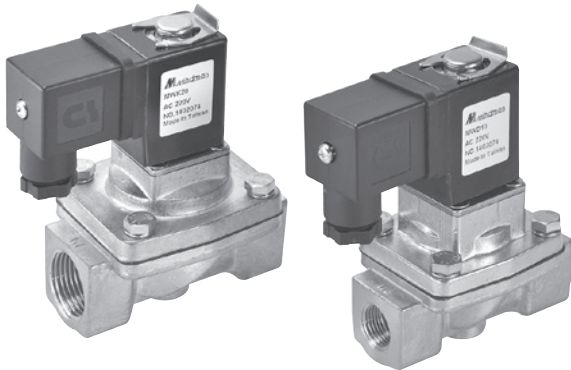


MWD / MWK series



2/2 WAY N.C. DIAPHRAGM TYPE SOLENOID VALVE



Specification

- IP65 waterproof coil.
- Continuous cycle, 100% ED.
- Ex coil is EExm II T4 PTB approval.
- Opening: 200~500 ms
Closing: 1000~4000 ms

Power consumption

Coil power	4	5	3E
AC (VA)	19.5	23.0	9.2
DC (W)	15.0	18.5	10.0

Order example

MWD - 15 - J - 5 - G - □ - M - AC110 - □

MODEL
MWD
MWK

CODE
10, 15, 20, 25,
32, 40, 45, 50

COIL
4: #4
5: Bigger
3E: Explosion-Proof (*1)

SEAL MAT'L
N: NBR
J: EPDM
V: Viton

PLUG
Blank: DIN
D: LED
G: 1/2" NPT

CONN.
Blank: Thread
F: Flanged

MANUAL
Blank: Without
M: With

VOLTAGE
AC220V(50/60)Hz
AC110V(50/60)Hz
DC24V

PORT THREAD
Blank: Rc thread
G: G thread
NPT: NPT thread
(Not suitable for flanged)

*1. Explosion-Proof (3E) coil with LED (D) plug is not applicable.

Specification

Model **MWD**: Forged brass body, 2/2 way N.C., for water, air, LPG, light oil etc.

Code (Port)	Seal mat'l	Coil	Orifice mm	Temp. °C		Working press. (0.2~ bar)										CV			
				Coil 4, 5, 3E			Coil 4				Coil 5				Coil 3E				
				N	J	V	AC		DC		AC		DC		AC		DC		
							Gas	Liquid	Gas	Liquid	Gas	Liquid	Gas	Liquid	Gas		Liquid	Gas	Liquid
10(3/8)	N J V	4 5 3E	18	-10 ~ 80	-10 ~ 145	12	10	1.5	1.5	13	12	5	5	5	2	1	1	3.2	
15(1/2)			12			10	1.5	1.5	13	12	5	5	5	2	1	1	4.3		
20(3/4)			10			8	1.5	1.5	12	10	5	5	5	2	0.7	0.7	8.0		
25(1)			9			8	1.2	1.2	12	10	4	4	5	2	0.5	0.5	11.0		
32(1 1/4)			9			8	1	1	12	10	3	3	4	2	-	-	16.0		
40(1 1/2)			9			8	1	1	12	10	3	3	4	2	-	-	21.0		
45(1 1/2)			8			3	-	-	10	7	1	1	4	0.1	-	-	26.0		
50(2)			8			3	-	-	10	7	1	1	4	0.1	-	-	31.0		

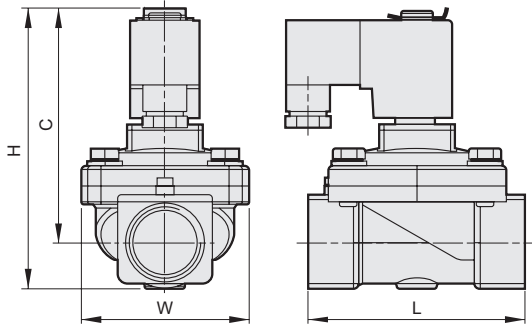
Model **MWK**: Forged brass body, 2/2 way N.C., for vacuum, water, air, gas, light oil etc.

Code (Port)	Seal mat'l	Coil	Orifice mm	Temp. °C		Working press. (0~ bar)										CV	VAC. torr	
				Coil 4, 5, 3E			Coil 4				Coil 5				Coil 3E			
				N	J	V	AC		AC		DC		AC					
							Gas	Liquid	Gas	Liquid	Gas	Liquid	Gas	Liquid				
10(3/8)	N J V	4 5 3E	18	-10 ~ 80	-10 ~ 145	10	7	12	10	4	4	7	2	3.2	10 ⁻²			
15(1/2)			10			7	12	10	4	4	7	2	4.3					
20(3/4)			9			7	11	10	3.5	3.5	7	1.5	8.0					
25(1)			9			6.5	11	10	3	3	7	1.2	11.0					
32(1 1/4)			8			5.5	10	10	2	2	7	0.8	16.0					
40(1 1/2)			8			5.5	10	10	2	2	7	0.8	21.0					
45(1 1/2)			7			3.5	10	5.5	1	1	1	0.2	26.0					
50(2)			7			3.5	10	5.5	1	1	1	0.2	31.0					

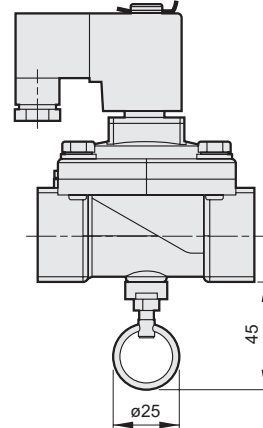
* Connect air source to outlet port for vacuum application.

MWD / MWK Dimensions & Weight

2/2 WAY N.C. DIAPHRAGM TYPE SOLENOID VALVE



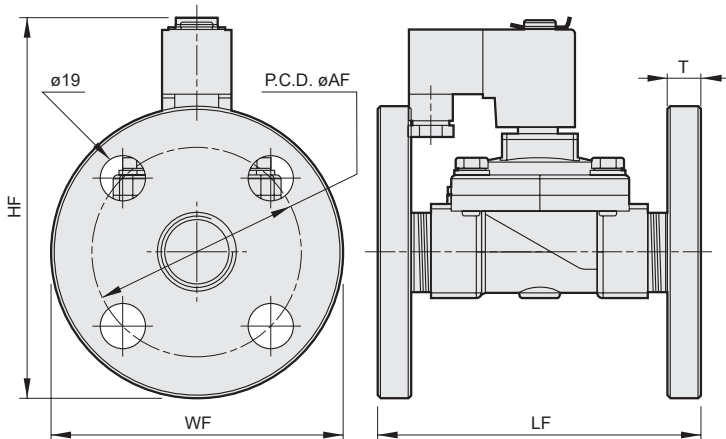
M With manual



CW: Close
CCW: Open

Model	MWD / MWK								
Code Dimension (mm)	10	15	20	25	32	40	45	50	
C	93	95	99	107	107	118	118		
L	77	82	93	102	102	123	123		
H	107	112	119	135	135	152	152		
W	51	61	72	76	76	95	95		
N.W (kg)	Coil 4	0.86	0.83	1.02	1.42	2.10	1.85	3.80	3.22
	Coil 5	0.95	0.92	1.10	1.51	2.18	1.93	3.88	3.30
	Coil 3E	1.15	1.12	1.30	1.71	2.38	2.13	4.08	3.51

F Flanged (JIS10K)



Model	MWD-F / MWK-F					
Code Dimension (mm)	25	32	40	45	50	
AF	90	100	105	105	120	
HF	161	174	177	188	195	
LF	138	155	155	175	175	
T	14	16	16	16	16	
WF	125	135	140	140	155	
N.W (kg)	Coil 4	3.82	5.21	5.30	7.25	7.34
	Coil 5	3.90	5.30	5.38	7.34	7.43
	Coil 3E	4.10	5.50	5.59	7.54	7.63