

MWA / MWH / MWS series

2/2 WAY N.C. PISTON TYPE SOLENOID VALVE

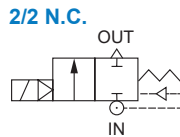


Specification

- IP65 waterproof coil.
- Ex coil is EExm II T4 PTB approval.
- Ambient temp.: -15~50°C
- Voltage tolerance: ±8%
- Installing position is free.
(You'd better put the coil upright)
- Pilot piston series.
- Opening: 100~300 ms, Closing: 300~2000 ms

Power consumption

Coil power	4	5	3E
AC (VA)	19.5	23	9.2
DC (W)	15	18.5	10



Order example

* Standard port thread: Rc thread.
G and NPT thread please contact our sales.

MWA - 10 - N - 4 - □ - F - AC110

MODEL

MWA
MWH
MWS

CODE

10, 15, 20, 25,
32, 40, 45, 50

COIL

4: #4
5: Bigger
3E: Explosion-
Proof (*2)

SEAL MAT'L

N: NBR
V: Viton
T: Teflon (*1)

PLUG

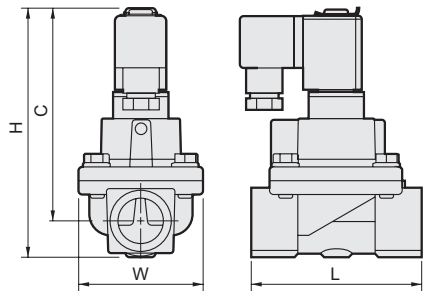
Blank: DIN
D: LED
G: 1/2" NPT

CONN.

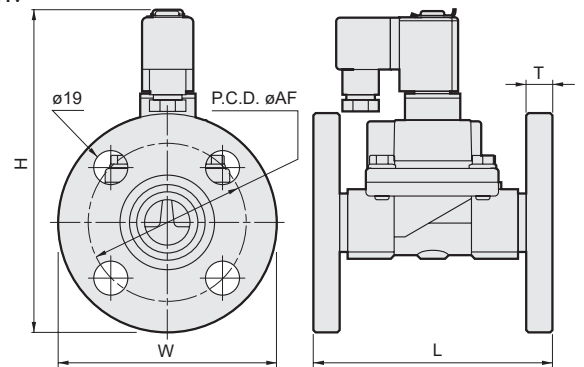
Blank: Screwed
F: Flanged

VOLTAGE

AC220V(50/60)Hz
AC110V(50/60)Hz
DC24V



F Flanged (JIS10K)



*1. When the seal material is (T) Teflon, the valve has slight leakage.
*2. Explosion-Proof (3E) coil with LED (D) plug is not applicable.

Dimensions

Model	MWA / H / S (Screwed)									MWA / H / S (Flanged)					
	Code	10	15	20	25	32	40	45	50	25	32	40	45	50	
Code Dimension (mm)															
AF		-									90	100	105	105	120
C		116	117	122	137	151	-								
L		77	82	96	102	123	138	155	155	175	175				
H		130	134	142	165	185	185	204	207	221	228				
T		-									14	16	16	16	16
W		51		61	72	76		95		125	135	140	140	155	
N.W (kg)	4	1.14	1.11	1.34	1.82	2.88	2.62	4.80	4.23	4.21	5.99	6.07	8.25	8.35	
	5	1.22	1.19	1.42	1.89	2.95	2.69	4.88	4.31	4.29	6.07	6.15	8.33	8.43	
	3E	1.44	1.41	1.63	2.11	3.17	2.91	5.09	4.52	4.51	6.29	6.37	8.55	8.65	

Specification

Model MWA : Forged brass body, 2/2 way N.C. for air, water, light oil, gas etc.												
Code (Port)	Seal mat'l	Coil	Orifice mm	Temp.°C		Working pressure 0.5 ~ bar						CV
				Coil 4, 5, 3E		Coil 4		Coil 5		Coil 3E		
				N		AC	DC	AC	DC	AC	DC	
10(3/8)	N	4 5 3E	15	-5 ~ 80	8	6	15	10	7	5	3.0	
15(1/2)			8		6	15	10	7	5	4.0		
20(3/4)			8		6	15	10	7	5	6.8		
25(1)			6		4	12	7	4	3	11.0		
32(1 1/4)			6		4	12	7	4	3	16.0		
40(1 1/2)			6		4	12	7	4	3	21.0		
45(1 1/2)			4		3	10	5	3	2	26.0		
50(2)			4		3	10	5	3	2	31.0		

Model MWH : Forged brass body, 2/2 way N.C. for light oil, heavy oil, high viscosity fluids (Max. 120 cst) etc.												
Code (Port)	Seal mat'l	Coil	Orifice mm	Temp.°C		Working pressure 0.5 ~ bar						CV
				Coil 4, 5, 3E		Coil 4		Coil 5		Coil 3E		
				V		AC	DC	AC	DC	AC	DC	
10(3/8)	V	4 5 3E	15	-10 ~ 145	8	6	15	10	7	5	3.0	
15(1/2)			8		6	15	10	7	5	4.0		
20(3/4)			8		6	15	10	7	5	6.8		
25(1)			6		4	12	7	4	3	11.0		
32(1 1/4)			6		4	12	7	4	3	16.0		
40(1 1/2)			6		4	12	7	4	3	21.0		
45(1 1/2)			4		3	10	5	3	2	26.0		
50(2)			4		3	10	5	3	2	31.0		

Model MWS : Forged brass body, 2/2 way N.C. for steam, high temp fluid, etc. (Internal leakage)												
Code (Port)	Seal mat'l	Coil	Orifice mm	Temp.°C		Working pressure 0.5 ~ bar						CV
				Coil 4,3E	Coil 5	Coil 4		Coil 5		Coil 3E		
				T		AC	DC	AC	DC	AC	DC	
10(3/8)	T	4 5 3E	15	-10 ~ 155	-10 ~ 185	8	6	15	10	7	5	3.0
15(1/2)			8			6	15	10	7	5	4.0	
20(3/4)			8			6	15	10	7	5	6.8	
25(1)			6			4	12	7	4	3	11.0	
32(1 1/4)			6			4	12	7	4	3	16.0	
40(1 1/2)			6			4	12	7	4	3	21.0	
45(1 1/2)			4			3	10	5	3	2	26.0	
50(2)			4			3	10	5	3	2	31.0	