

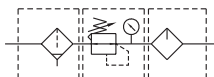
MACT501 series

AIR UNIT (F.R.L.UNIT)



Option: **MP41**

Symbol



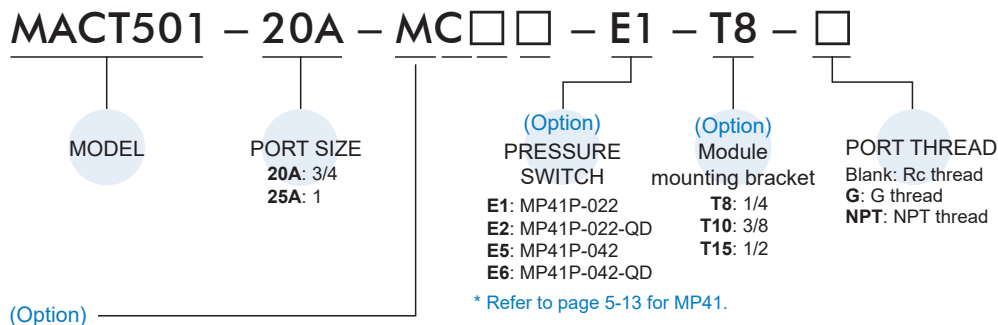
Specification

Model	MACT501	
Components	MAF501, MAR501, MAL501	
Bore No.	20A	25A
Port size	3/4	1
Medium	Air	
Operating pressure range (*)	PC, Nylon	0.05~1 MPa
	Metal bowl	0.05~1.5 MPa
Proof pressure	PC, Nylon	1.5 MPa
	Metal bowl	2 MPa
Regulated pressure range	0.05~0.85 MPa	
Ambient temperature	- 5~+60°C (No freezing)	
Filter element	40µm	
Lubricating oil capacity	200c.c	
Min. flow for oil drip	25 ℓ/min	33 ℓ/min
Recommended lubricating oil	Turbine oil ISO-VG32	
Attachment	Pressure gauge (PG-20), bracket	
Weight	Nylon bowl, PC bowl: 4200 g	
	Metal bowl: 4440 g	

* Standard unit contains semi-auto-drain function when operating pressure below 0.05 MPa.

* Choose auto-drain FMRF300, the pressure range is 0.15~1 MPa.

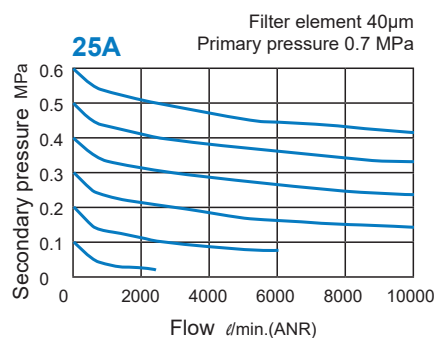
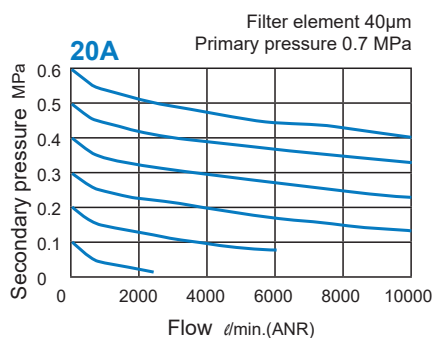
Order example



Bowl	Pressure gauge	Drain valve	Flow direction
Blank: PC bowl M: Metal bowl N: Nylon bowl	Blank: Pressure gauge (PG-20) C: External pressure gauge (PG-40) + Gauge adapter set (A-MAR302) A: Gauge adapter set (A-MAR302)	Blank: Semi-auto drain D: Auto drain valve (FMRF300)	Blank: Left to right R: Right to left

* PG-40 (C), A-MAR302 (A) and MP41 (E*) can not be selected at the same time.

Flow feature

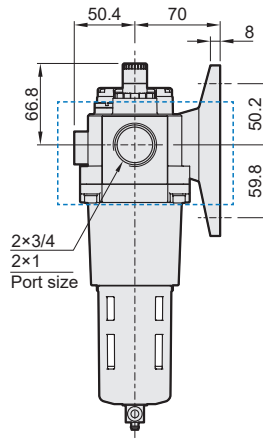
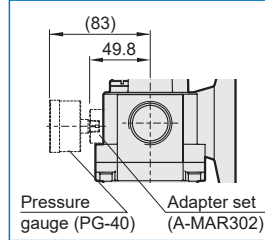


MACT501 Dimensions

AIR UNIT (F.R.L.UNIT)

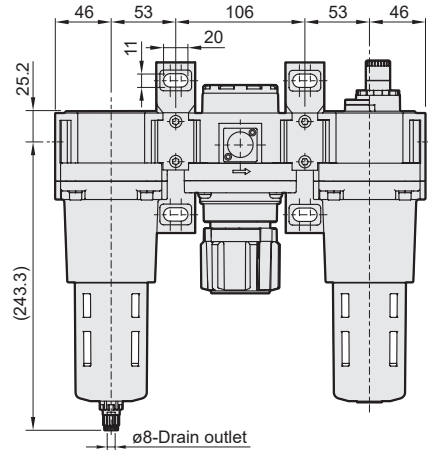


Accessories



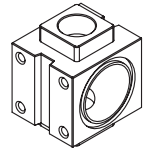
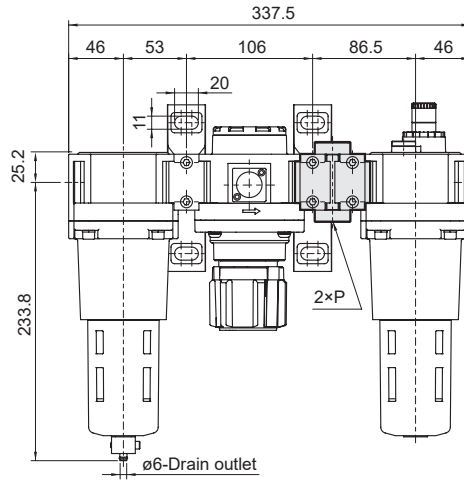
MACT501-D

Auto drain valve



MACT501-T*

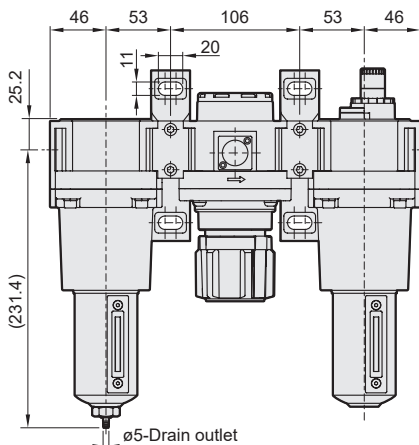
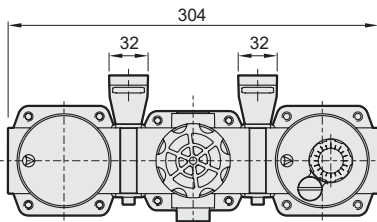
T type bracket



Port Bracket	P
T8	1/4
T10	3/8
T15	1/2

MACT501-M

Metal bowl



MACT501-MD

Metal bowl + auto drain valve

