

MVHB-260 series

HAND LEVER VALVE



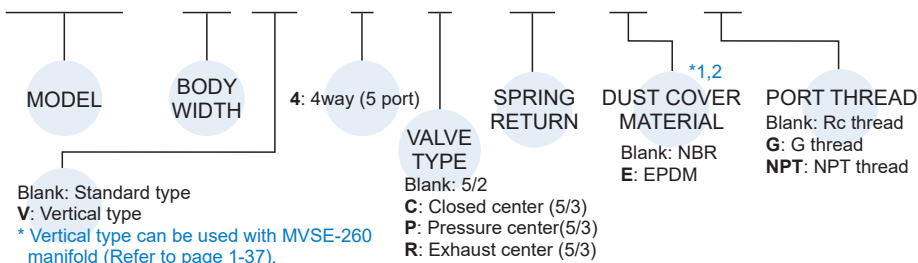
Specification



Model	MVHB-260(V)-4TV MVHB-260(V)-4TV-SP	MVHB-260(V)-4TV* MVHB-260(V)-4TV*-SP
Bore No.	8A	
Port size	1/4	
No. of port	5	
No. of position	2	3
Medium	Air	
Operating pressure range	0~0.8 MPa	
Effective orifice	18 mm ²	
Ambient temperature	-5~+60°C (No freezing)	
Weight	219 g	278 g

Order example

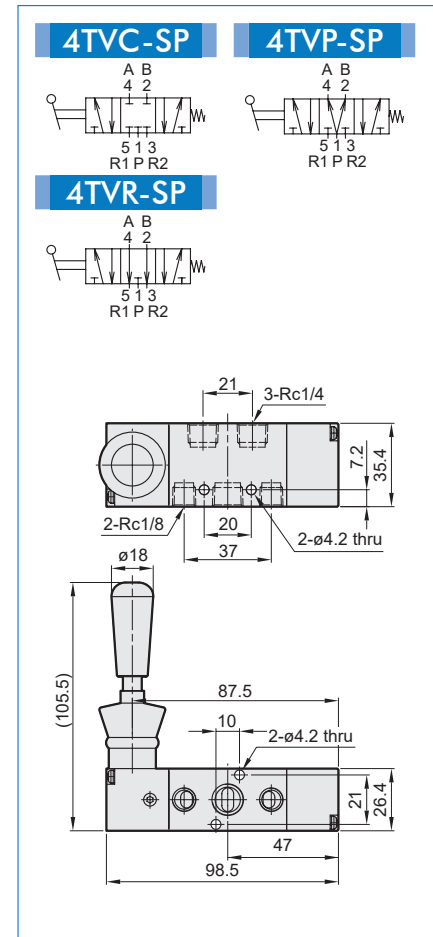
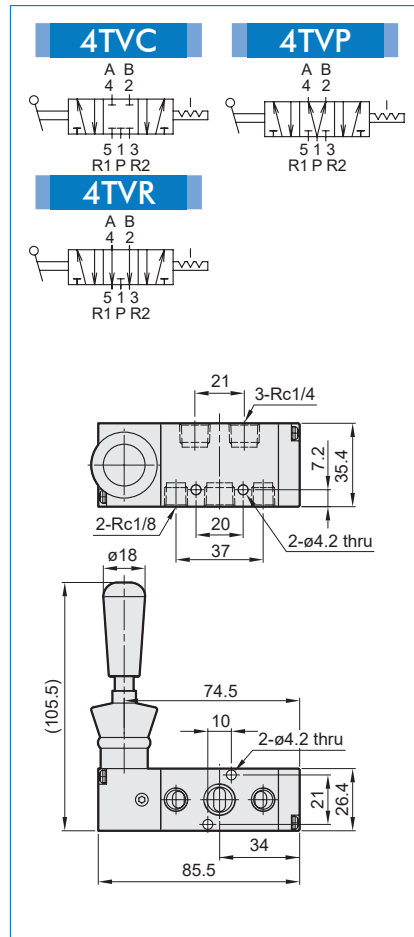
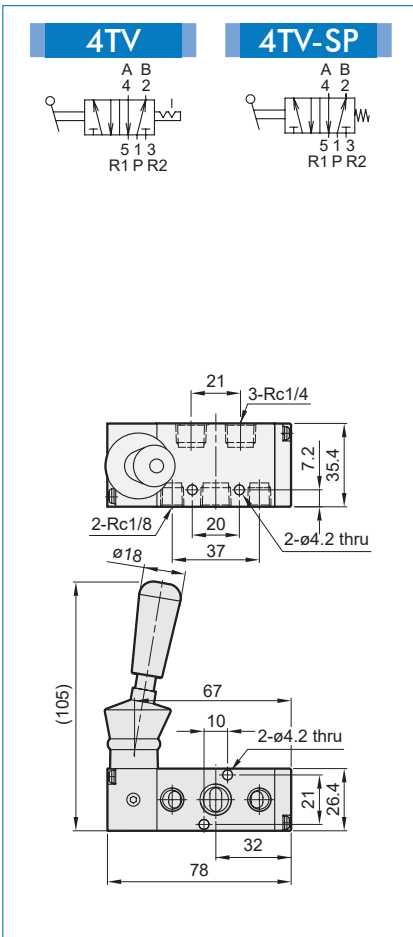
MVHB – 260V – 4TVC – SP – □ – G



*1. NBR: Good oil resistance and abrasion resistance, not suitable for using in polar solvents.

EPDM: Excellent water resistance and chemical resistance, not suitable for using oil place.

*2. Suitability of material please refer to page 2-3~5.



MVHB-260 Dimensions – Vertical type

HAND LEVER VALVE

