

# Data Sheet for Precision adjustment Knobs

Precision adjustment Knob with Locking mechanism

Series SKT



The knob SKT in Ø26 mm housing with 50 dashes, revolution counter (10rev.) and locking mechanism

- Knob with 50 dashes
- Revolution counter for 10 revolutions
- With locking mechanism
- For 3..6.35 mm shaft

The SKT series allows a very precise manual handling with up to 10 revolutions (50 dashes per revolution). The lock prevents unintentional adjustments.

## Data adjustment knob

Number of full revolutions	up to 10
Resolution of the scale	Scale with 50 dashes and 10 revolution indication window
Brake available	yes
For shaft diameter	3 mm / 3.175 mm / 4 mm / 6 mm / 6.35 mm
Housing diameter	26 mm
Housing depth	27 mm (with knob)
Knob diameter	Conical from 12.5 mm (front) to 14 mm (end)
Operating temperature range	-30 °C up to +60 °C
Storage temperature range	-30 °C up to +60 °C
Protection grade (IEC 60529)	IP40
Colour housing	Silver or black
Colour adjustment knob	Black with white scale
Material knob/housing	Plastic and metal
Mass	ca. 20 g
Mounting parts included in delivery	Mounting adaptor, hexagon socket wrench

## Bestellschlüssel

Description		Selection: <b>standard=black/bold</b> , possible <i>options=grey/italic</i>			
Series	SKT				
<b>For shaft diameter:</b>					
<b>Ø 6,00</b>		<b>6 MM</b>			
<b>Ø 6,35</b>		<b>1/4"</b>			
<i>Option Ø 3</i>		<i>3 MM</i>			
<i>Option Ø 3,175</i>		<i>3,17 MM</i>			
<i>Option Ø 4</i>		<i>4 MM</i>			
<b>Housing colour:</b>					
<b>Silver</b>			-		
<i>Option black</i>			<i>SCHWARZ</i>		

For higher quantities or on-going demand, additional options are available as described below on request

For example:

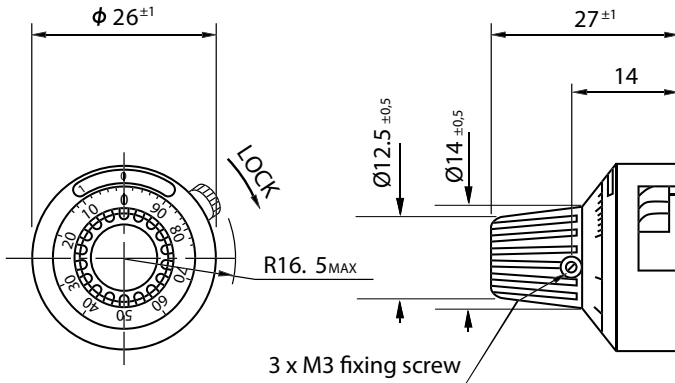
- 5 or 3 revolution indication window

# Data Sheet for Precision adjustment Knobs

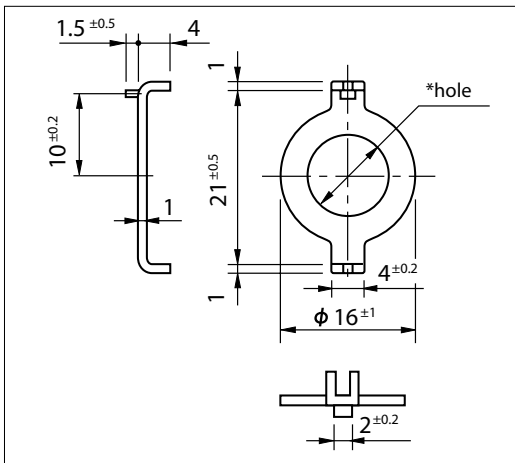
Precision adjustment Knob with Locking mechanism

Series SKT

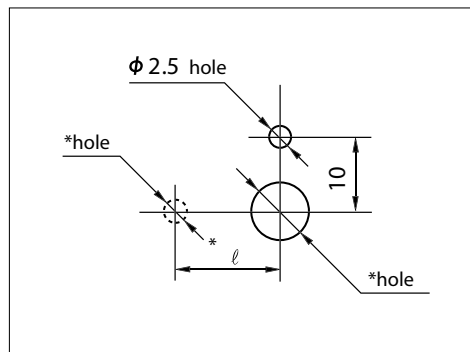
## Drawing



## Mounting Adaptor



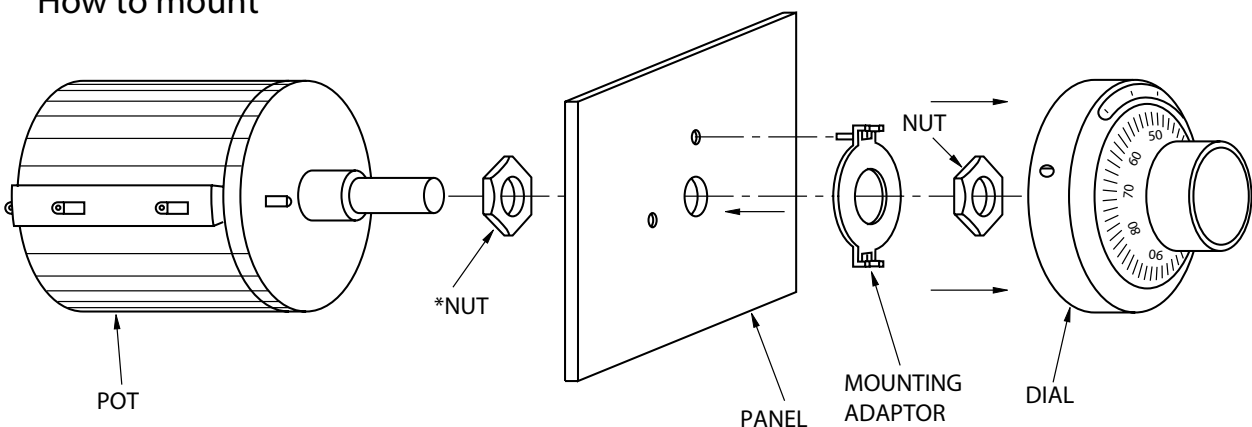
## Panel Arrangements



Note: The diameter of \*hole is depending on the diameter of potentiometer to be mounted

Dimensions in mm

## How to mount



Note: the nut with \* is not always used. It depends on the kind of potentiometer and thickness of the panel.