

# Data sheet for Load Cells

Shear Beam

Series KM801



- Compact shear beam
- 2 Measuring ranges: up to 2 kN, 5 kN
- Force transmission via M8-thread
- Strain gauge full bridge

Series KM801 force sensors are easy to install. They can be fixed with 2 screws at any flat and stable ground. Thanks to their compact dimensions, the force sensors are a good choice even in tight installation conditions.

Application examples: Measurement of forces in assembly processes in automation, control of motion sequences in medical systems.

## Data Load Cell

Rated force ( $F_{nom.}$ )	2KN, 5KN
Maximum operating force	$\leq 150\%$ of rated force ( $F_{nom.}$ )
Rated characteristic value	$2,0 \pm 0,2$ mV/V @ $F_{nom.}$
Excitation voltage	10 V DC / AC (max. 15 V DC / AC)
Relative linearity error	$\leq 0,05\%$ $F_{nom.}$
Hysteresis	$\leq 0,05\%$ $F_{nom.}$
Relative repeatability error	$\leq 0,05\%$ $F_{nom.}$
Relative deviation of zero signal	$\leq 1\%$ $F_{nom.}$
Relative creep (30 min.)	$\leq 0,05\%$ $F_{nom.}$
Rated displacement	$\leq 0.3$ mm @ $F_{nom.}$
Temperature effect on characteristic value	$\leq 0,05\%$ $F_{nom.}$ / 10 K
Temperature effect on zero signal	$\leq 0,05\%$ $F_{nom.}$ / 10 K
Rated temperature range	-10 °C .. +40 °C
Operating temperature range	-10 °C .. +70 °C
Input resistance	$387 \pm 20\Omega$
Output resistance	$350 \pm 3\Omega$
Insulation resistance	$\geq 5$ G $\Omega$ @ 50 V DC
Protection	IP40
Cable, -length / -dimension	ca. 1,75 m / $\varnothing$ 4,6 mm
Electrical connection	4 x AWG26
Material, - body / - housing	Nickel-plated steel alloy / Steel with paint finish
Mass	ca. 390 g

# Data sheet for Load Cells

Shear Beam

Series KM801

## Order code

<b>Description</b>			
<b>Series:</b>	<b>KM801</b>		
<b>Connecting cable: Cable length 1,75 m</b>		<b>K</b>	
<b>Rated force: 2 kN 5 kN</b>			<b>2kN 5kN</b>

## Accessories (not included)

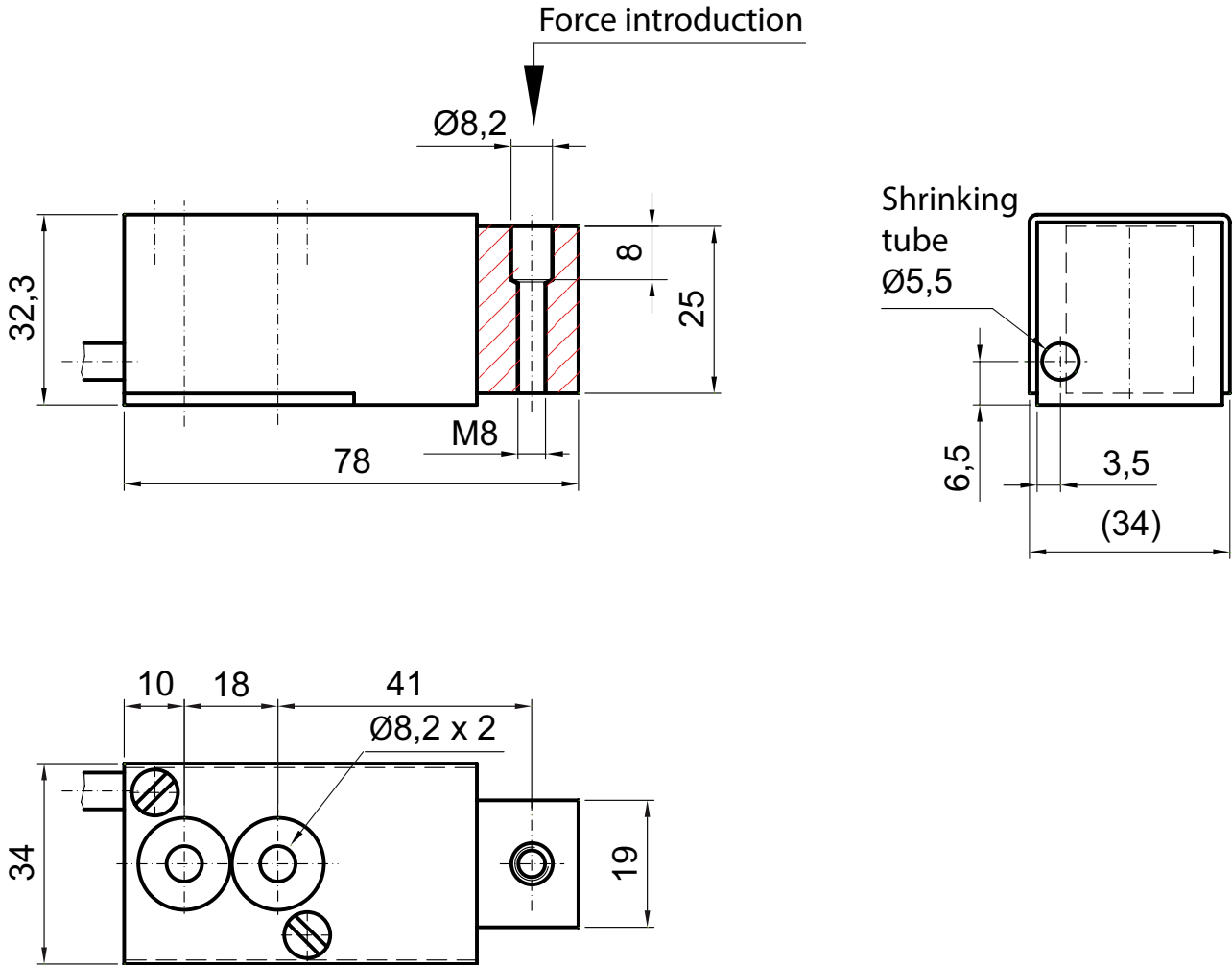
<b>Measuring amplifier</b>	<b>IMA2 DMS</b>
----------------------------	-----------------

**For higher quantities or on-going demand, additional options are available as described below on request**

For Example:

- modified cable with or without connectors
- modified mounting holes or threads
- 6-wire connection

Drawing



Dimensions in mm

Cable assignment

For pressure:

- Brown: +input
- Yellow: -input
- Green: +output
- White: -output

For tension:

- Brown: +input
- Yellow: -input
- Green: -output
- White: +output

Connection diagram pressure

