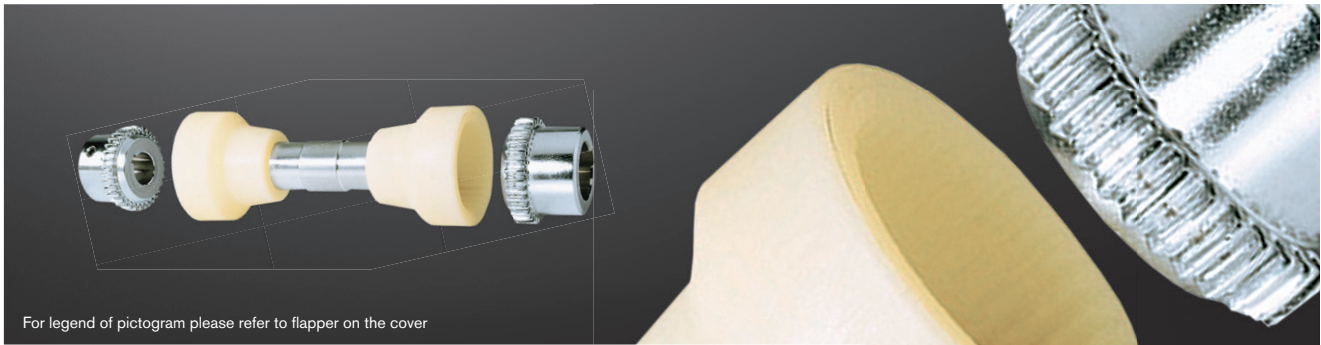
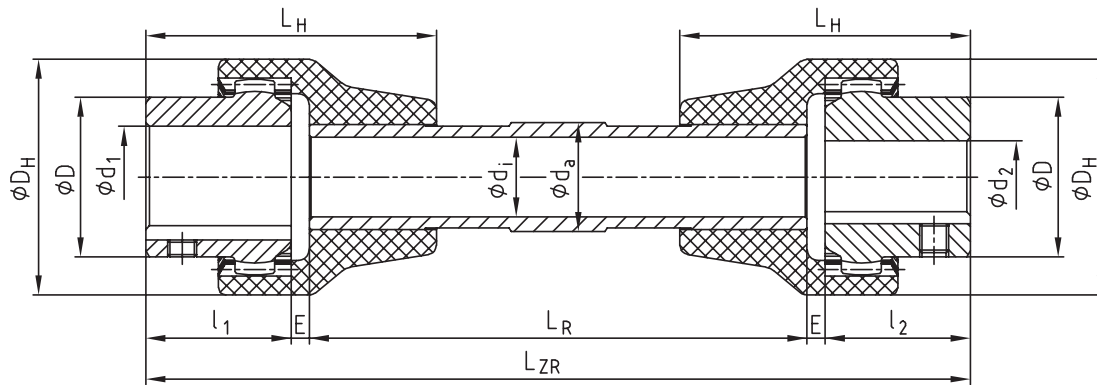
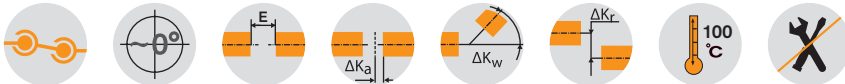


# BoWex® ZR Curved-tooth gear coupling®

## Bridging larger shaft distances

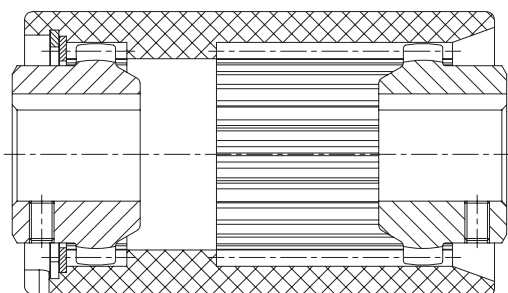


For legend of pictogram please refer to flapper on the cover



BoWex® Type ZR															
Size	Pilot bore	Finish bore	Dimensions [mm]										Torque [Nm]		
		d1 max. d2 max.	l1, l2	Hub length. max. l1, l2	LH	E	LZR tot.	LR	D	DH	di	da	TKN	TK max.	TKW
14	-	14	23	40	40	3	According to customer specification		25	40	21	25	10	20	5
28	-	28	40	55	60	3			44	66	30	26	45	90	23
42	-	42	42	60	85	3			65	95	40	50	100	200	50
48	-	48	50	60	85	3			68	95	40	50	140	280	70

BoWex® ZR couplings are available up to a length of 2000 mm for serial applications only ( $n_{max.} = 1000$  rpm)



Type Spec.-I with a long PA-sleeve

- BoWex® Spec.-I with lengthened sleeve on request
- Bridging larger shaft distances
- Axial shifting of driving and driven shaft at standstill
- Maintenance-free
- Compensating for larger displacements
- Axial plug-in
- Application range from -25 °C to +100 °C