

N 0100 SERIES

TEMPERATURE-RESISTANT GAS SAMPLING PUMPS



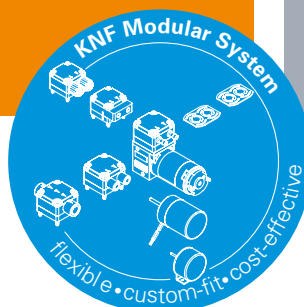
N 0100 ST.16 E

ADVANTAGES

- Temperature-resistant for transferring hot process gases up to 240 °C
- High chemical resistance
- Homogeneous temperature distribution throughout the entire pump head
- No condensation in the pump head

POSSIBLE AREAS OF USE

- Environmental monitoring – especially motor test benches in automobile industry
- Analytical technology
- Research



Please visit our website
www.knf.com
 to get more information

PERFORMANCE DATA				
Series model	N 0100			
Material design	AT.16 E	ST.16 E		
Pump head	Aluminum	Stainless steel		
Diaphragm	PTFE			
Valves	PTFE			
Flow rate at atm. pressure (l/min)	100.0			
Ultimate vacuum (mbar abs.)	180			
Max. operating pressure (bar rel./psig)	1.5/21.8			
Permissible ambient temperature (°C)	+10 ... +40			
Permissible media temperature (°C)	+5 ... +240			
Weight (kg/lbs)	21.0/46.3	28.0/61.7		
ELECTRICAL DATA				
Voltage (V)	230	220	115	100
Motor	Capacitor motor			
Protection class motor	IP 44			
Frequencies (Hz)	50	60	50/60	
Power P ₁ (W)	450	430		450
I _{max} (A)	3.0	3.2	5.6	6.5

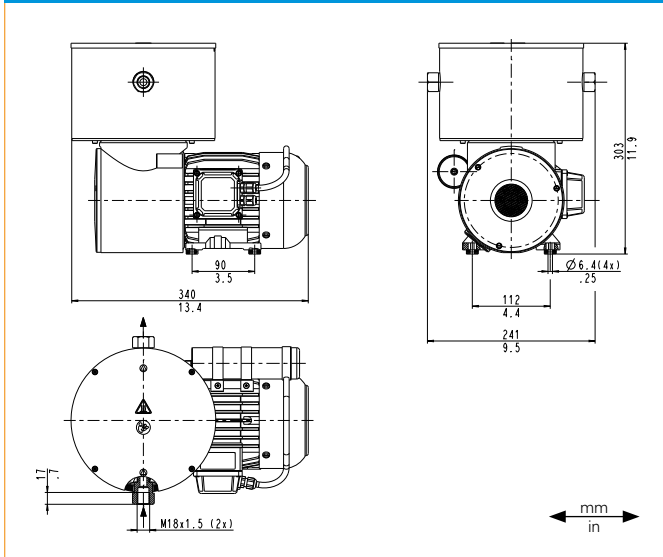
N 0100 AT.16 E | ST.16 E

PERFORMANCE DATA

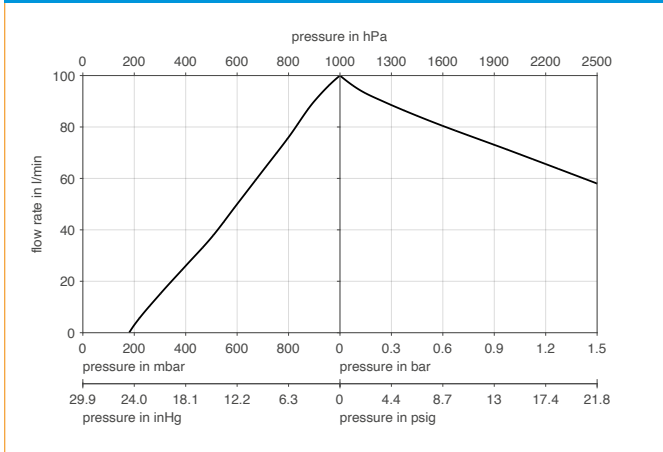
Series model	Flow rate at atm. pressure (l/min) ¹⁾	Max. operating pressure (bar rel./psig)	Ultimate vacuum (mbar abs.)
N 0100 AT.16 E	100.0	1.5/21.8	180
N 0100 ST.16 E	100.0	1.5/21.8	180

¹⁾ Liter at STP



N 0100 _T.16 E



N 0100 _T.16 E



OPTIONS

Description	Illustration	Details
Rotated pump housing		The pump housing may be rotated by 180° at the factory. Any condensate will drain from the pump head, which improves the function of the pump when operating with high condensate concentrations.
Customized head connectors		The height of the remote pump head can be adapted to the customer's system according to the project. NPT1/8 fittings and various other fittings are optional.
Flanged version		This configuration has been designed for installation on a heated analyzer cabinet. The pump is mounted by a flange on the outside of the cabinet housing. The pump head then protrudes into the hot area. The area between the pump head and the compressor housing can be insulated.
ATEX		Pumps for explosion-proof areas are available with the following certificates on request: ATEX, IECEx, KOSHA, PESO, NEPSI.

ACCESSORIES

Description	Part No.
Wrench for retainer plate	020204

SPARE PARTS

Description	Illustration	Part No.	Details
Spare parts kit N 0100.16		120782	Spare parts kit consists of: 1x diaphragm (3-fold), 2x valve plate, 2x O-ring. This set is required to maintain the pump.

The performance values for the series models shown on this data sheet were determined under test conditions. The actual performance values may differ and depend in particular on the usage conditions and therefore on the specific application, on the parameters of the components involved in the user's system and on any technical modifications carried out which deviate from the standard configuration or the as delivered condition.

If individual designs have been created for specific customers on the basis of series models, other technical performance data may apply. Before operation begins, the relevant operating instructions and/or assembly or installation instructions should be read and the safety information contained in these instructions should be noted. KNF reserves the right to make changes to the product and the associated documentation without prior notice to the customer.



www.knf.com