

NMP830 HP SERIES MICRO DIAPHRAGM GAS PUMPS



NMP830KPDC HP



NMP830KPDC-BI4 HP



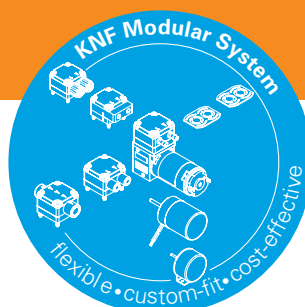
ADVANTAGES

- Uncontaminated flow
- Customizing available
- Maintenance-free
- Long product life
- High pneumatic performance
- Compact size/high power density
- Can operate in any installed position
- High condensate resistance
- FDA approved wetted material

POSSIBLE AREAS OF USE

- Medical
- Reprographic
- Environment
- Security
- Food

Please visit our website
www.knf.com
to get more information.



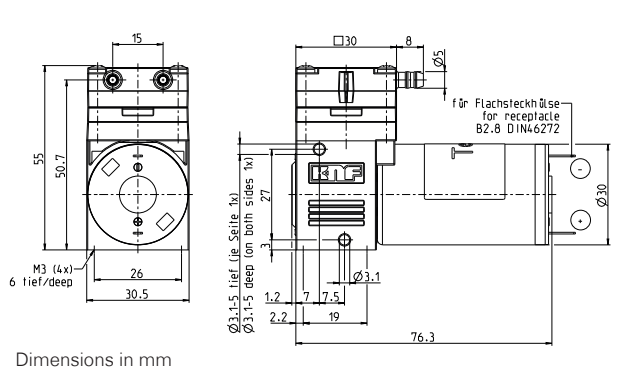
PERFORMANCE DATA				
Series model	NMP830 HP			
Material design	KPDC		KPDC-BI4	
Pump head	PPS			
Diaphragm	EPDM (FKM and PTFE on request)			
Valves/Sealing	EPDM (FKM and FFKM on request)			
Flow rate at atm. pressure (l/min)	5		5	
Ultimate vacuum (mbar abs.)	230		230	
Ultimate pressure (bar rel)	3		3	
Permissible media and ambient temperature (° C / ° F)	+5° C to +40° C / 41° F to 104° F (extended temperature on request)			
Weight (g/oz)	185/6.53		175/6.17	
ELECTRICAL DATA				
Voltage (V)	12	24	12	24
Motor	DC		Integrated brushless DC, 4 wire (2 wires on request)	
I _{max} (A)	0.9	0.5	1.00	0.65

NMP830KPDC HP

PERFORMANCE DATA

Series model	Flow rate at atm. pressure (l/min)	Max. operating pressure (bar rel)	Ultimate vacuum (mbar abs.)
NMP830KPDC HP 12V	5	3	230
NMP830KPDC HP 24V	5	3	230

NMP830KPDC HP

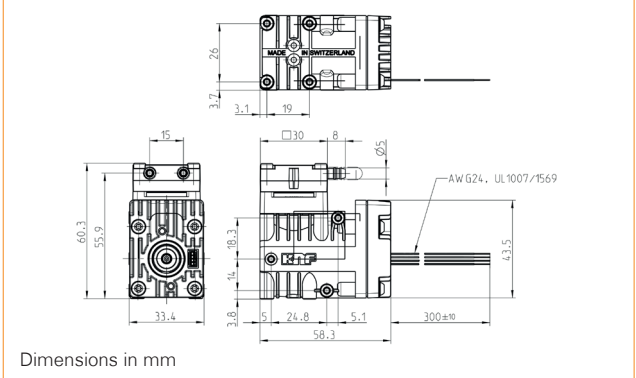


NMP830KPDC-BI4 HP

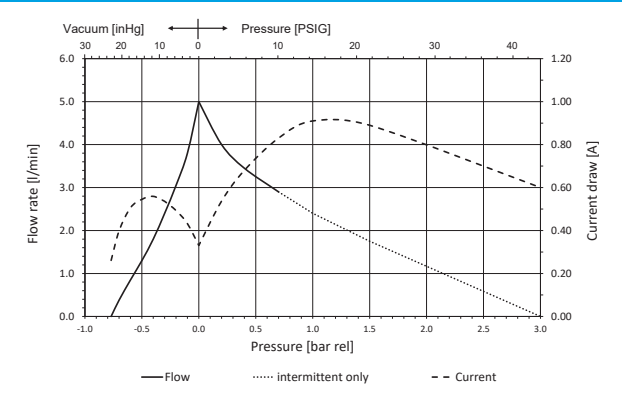
PERFORMANCE DATA

Series model	Flow rate at atm. pressure (l/min)	Max. operating pressure (bar rel)	Ultimate vacuum (mbar abs.)
NMP830KPDC-BI4 HP 12V	5	3	230
NMP830KPDC-BI4 HP 24V	5	3	230

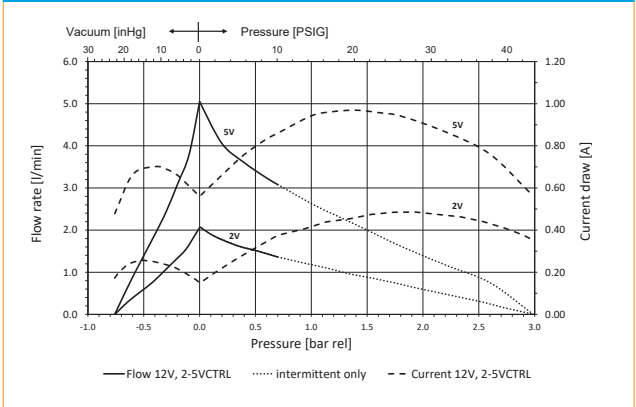
NMP830KPDC-BI4 HP



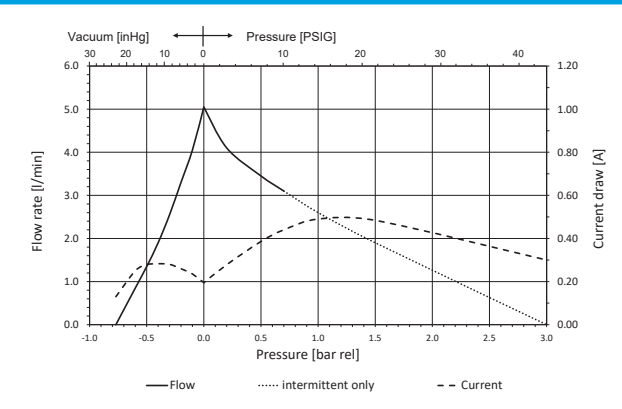
NMP830KPDC HP 12V



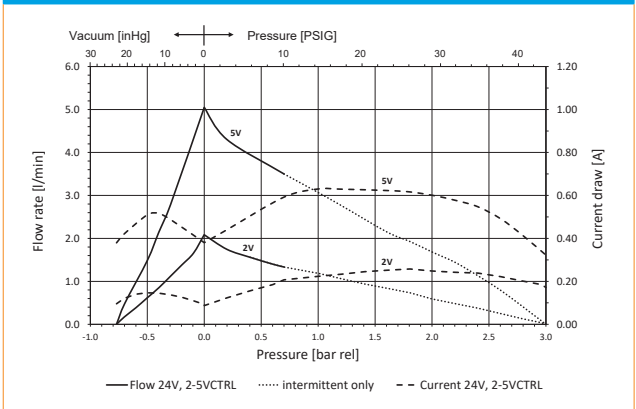
NMP830KPDC-BI4 HP 12V



NMP830KPDC HP 24V



NMP830KPDC-BI4 HP 24V



OPTIONS			
Description	Illustration	Part No.	Details
Motors			Other motor options are available. Ask your KNF sales contact to find the best solution for you.
Connecting plate			DN4/6 connecting plate M5 inside thread UNF 1/4" - 28 inside thread
Eccentric			Other eccentricities are available to meet your operating point best.

ACCESSORIES			
Description	Illustration	Part No.	Details
Silencer		338498	For hose barbs
Silencer		314005	For DN4/6 connecting plate
Mounting plate		164313	Hole distance 43x22mm. Inner diameter of the sleeve is 3.5 mm, screws are not included.
Rubber-bonded metal		On request	

SPARE PARTS			
Description	Illustration	Part No.	Details
Spare part kit NMP830 KP HP NMP830 KV HP NMP830 KT HP		317273 317274 317275	One Kit per head containing valve, O-ring and diaphragm. For a double head pump two kits are required.



DIGITAL CUSTOMIZATION

Thanks to digital technology, this pump can be quickly adapted to the customer's system. This is done by parametrizing the firmware of the integrated brushless motor at KNF.

The performance values for the series models shown on this data sheet were determined under test conditions. The actual performance values may differ and depend in particular on the usage conditions and therefore on the specific application, on the parameters of the components involved in the user's system and on any technical modifications carried out which deviate from the standard configuration or the as delivered condition.

If individual designs have been created for specific customers on the basis of series models, other technical performance data may apply.

Before operation begins, the relevant operating instructions and/or assembly or installation instructions should be read and the safety information contained in these instructions should be noted.

KNF reserves the right to make changes to the product and the associated documentation without prior notice to the customer.



www.knf.com