

**JUMO GmbH & Co. KG**  
Delivery address: Mackenrodtstraße 14  
36039 Fulda, Germany  
Postal address: 36035 Fulda, Germany  
Phone: +49 661 6003-0  
Fax: +49 661 6003-607  
Email: mail@jumo.net  
Internet: www.jumo.net

**JUMO Instrument Co. Ltd.**  
JUMO House  
Temple Bank, Riverway  
Harlow, Essex, CM20 2DY, UK  
Phone: +44 1279 63 55 33  
Fax: +44 1279 62 50 29  
Email: sales@jumo.co.uk  
Internet: www.jumo.co.uk

**JUMO Process Control, Inc.**  
6724 Joy Road  
East Syracuse, NY 13057, USA  
Phone: +1 315 437 5866  
Fax: +1 315 437 5860  
Email: info.us@jumo.net  
Internet: www.jumousa.com



# JUMO MAERA S26

## Level probe

### Applications

#### Level and filling level measurement<sup>1</sup>

- in storage tanks or reservoirs
- for gray water recycling
- in heating oil and diesel oil tanks
- in the water and wastewater sector

### Brief description

The JUMO MAERA S26 level probe is used for the continuous hydrostatic level measurement of liquids. Filling heights between 2.5 mWS and 25 mWS (water column) can be achieved in ventilated tanks.

When the level probe is immersed into a liquid, a liquid column emerges above the probe. The liquid column increases as the probe is immersed deeper into the liquid and creates a hydrostatic pressure on the measuring system by the force of its weight. The measured pressure is transmitted as a standard signal. The signal is linearly proportional to the rising liquid.

The surrounding pressure is realized using a special cable with an integrated pressure equalization hose. Any variations in air pressure are thereby automatically compensated for and the surrounding pressure is therefore taken into account.

The level probe is approved for use in drinking water.

Further information on our level probes from the JUMO MAERA series can be found in the brochure "Limit Level Measurement and Level Measurement" in the documentation.

### Customer benefits

- **process reliable**  
The core of the level probe is a piezoresistive measuring cell, which features high overload resistance, and is particularly stable in the long term, reliable, and temperature resistant. The level probes are manufactured entirely from stainless steel and are therefore resistant to many media. A reverse-polarity protection mechanism protects the measuring instrument against damage, ensuring maximum safety during startup.
- **versatile**  
The level probe is available in numerous variants for several measuring ranges. The version with several cable materials and process connections provides maximum possible flexibility. A model with greater measuring accuracy is also available, which also meets the most stringent requirements.



Type 402090/... with process connection 658

### Special features

- measuring ranges: 0.25 bar to 2.5 bar (0.2 % MSP<sup>2</sup> also available) (2.50 mWS to 25 mWS)
- medium temperature: 0 °C to 50 °C
- piezoresistive silicon sensor
- accuracy: 0.3 % MSP (linearity) (0.2 % MSP also available)
- excellent long-term stability
- high overload resistance
- reverse polarity protection
- suitable for indoor mounting

<sup>1</sup> These recommendations are based on many years of experience; however, in individual cases they may not be fully applicable. We would be happy to provide further information, including regarding additional applications.

<sup>2</sup> MSP = measuring span

### Approvals and approval marks (see technical data)



**JUMO GmbH & Co. KG**  
 Delivery address: Mackenrodtstraße 14  
 36039 Fulda, Germany  
 Postal address: 36035 Fulda, Germany  
 Phone: +49 661 6003-0  
 Fax: +49 661 6003-607  
 Email: mail@jumo.net  
 Internet: www.jumo.net

**JUMO Instrument Co. Ltd.**  
 JUMO House  
 Temple Bank, Riverway  
 Harlow, Essex, CM20 2DY, UK  
 Phone: +44 1279 63 55 33  
 Fax: +44 1279 62 50 29  
 Email: sales@jumo.co.uk  
 Internet: www.jumo.co.uk

**JUMO Process Control, Inc.**  
 6724 Joy Road  
 East Syracuse, NY 13057, USA  
 Phone: +1 315 437 5866  
 Fax: +1 315 437 5860  
 Email: info.us@jumo.net  
 Internet: www.jumousa.com



## Technical data

### General Information

Reference conditions	DIN 16086 and DIN EN 60770
Measuring principle	Piezoresistive sensor with stainless steel separating membrane
Pressure transfer means	Synthetic oil
Admissible load changes	> 10 million, 0 to 100 % measuring range
Mounting position	Vertical/hanging from the cable

### Measuring range and accuracy

Measuring range bar	Linearity <sup>a</sup> % MSP <sup>e</sup>	Accuracy at		Long-term stability <sup>b</sup> % MSP per year	Overload capacity bar	Burst pressure bar
		20 °C <sup>c</sup> % MSP	0 to 50 °C <sup>d</sup> % MSP			
0 to 0.25 bar relative pressure	0.3	0.5	1.6	≤ 0.3	0.75	1
0 to 0.4 bar relative pressure	0.3	0.5	1.6		1.2	1.6
0 to 0.6 bar relative pressure	0.3/0.2 <sup>f</sup>	0.5	1.3		1.8	2.4
0 to 1 bar relative pressure	0.3/0.2 <sup>f</sup>	0.5	1.1		3	4
0 to 1.6 bar relative pressure	0.3/0.2 <sup>f</sup>	0.5	1.1		4.8	6,4
0 to 2.5 bar relative pressure	0.3/0.2 <sup>f</sup>	0.5	1.1		7.5	10
0 to 4 bar relative pressure	0.2	0.3	0.8		12	16
0 to 6 bar relative pressure	0.2	0.3	0.8		18	24
0 to 10 bar relative pressure	0.2	0.3	0.8		30	40

<sup>a</sup> Linearity according to limit point setting

<sup>b</sup> Reference conditions EN 61298-1

<sup>c</sup> Includes: linearity, hysteresis, repeatability, deviation from measuring range start (offset), and measuring range end

<sup>d</sup> Includes: linearity, hysteresis, repeatability, deviation from measuring range start (offset) and measuring range end, thermal influences on measuring range start (offset), and measuring span

<sup>e</sup> MSP = measuring span

<sup>f</sup> for basic type 023 with improved accuracy

**JUMO GmbH & Co. KG**  
 Delivery address: Mackenrodtstraße 14  
 36039 Fulda, Germany  
 Postal address: 36035 Fulda, Germany  
 Phone: +49 661 6003-0  
 Fax: +49 661 6003-607  
 Email: mail@jumo.net  
 Internet: www.jumo.net

**JUMO Instrument Co. Ltd.**  
 JUMO House  
 Temple Bank, Riverway  
 Harlow, Essex, CM20 2DY, UK  
 Phone: +44 1279 63 55 33  
 Fax: +44 1279 62 50 29  
 Email: sales@jumo.co.uk  
 Internet: www.jumo.co.uk

**JUMO Process Control, Inc.**  
 6724 Joy Road  
 East Syracuse, NY 13057, USA  
 Phone: +1 315 437 5866  
 Fax: +1 315 437 5860  
 Email: info.us@jumo.net  
 Internet: www.jumousa.com



## Output

<b>Analog output</b> <b>Current</b> Output 402 Output 405 Output 406 <b>Voltage</b> Output 412 Output 415 Output 418 Output 420	0 to 20 mA, three-wire 4 to 20 mA, two-wire 4 to 20 mA, three-wire DC 0.5 to 4.5 V, three-wire, ratiometric 10 to 90 % of the voltage supply DC 0 to 10 V, three-wire DC 1 to 5 V, three-wire DC 1 to 6 V, three-wire
Step response T <sub>90</sub>	≤ 10 ms
<b>Burden</b> <b>Current</b> 0 to 20 mA, three-wire 4 to 20 mA, two-wire 4 to 20 mA, three-wire <b>Voltage</b> DC 0.5 to 4.5 V, three-wire DC 0 to 10 V, three-wire DC 1 to 5 V, three-wire DC 1 to 6 V, three-wire	$R_L \leq (U_B - 12 \text{ V}) \div 0.02 \text{ A } (\Omega)$ $R_L \leq (U_B - 10 \text{ V}) \div 0.02 \text{ A } (\Omega)$ $R_L \leq (U_B - 12 \text{ V}) \div 0.02 \text{ A } (\Omega)$ $R_L \geq 50 \text{ k}\Omega$ $R_L \geq 10 \text{ k}\Omega$ $R_L \geq 10 \text{ k}\Omega$ $R_L \geq 10 \text{ k}\Omega$

## Electrical data

<b>Voltage Supply U<sub>B</sub><sup>a</sup></b> 0 mA to 20 mA, three-wire 4 mA to 20 mA, two-wire 4 mA to 20 mA, three-wire DC 0.5 V to 4.5 V, three-wire DC 0 V to 10 V, three-wire DC 1 V to 5 V, three-wire DC 1 V to 6 V, three-wire Nominal voltage	DC 11.5 V to 30 V DC 10 V to 30 V DC 11.5 V to 30 V DC 5 V DC 11.5 V to 30 V DC 10 V to 30 V DC 10 V to 30 V DC 24 V
Reverse voltage protection	Yes (except DC 0.5 to 4.5 V, three-wire)
Max. current consumption	≤ 25 mA
<b>Electrical circuit</b> <b>Requirements</b>	SELV The device must be equipped with an electrical circuit that meets the requirements of EN 61010-1 with regard to "Limited-energy circuits".

<sup>a</sup> Residual ripple: The voltage peaks must not exceed or fall below the specified voltage supply values!

**JUMO GmbH & Co. KG**  
 Delivery address: Mackenrodtstraße 14  
 36039 Fulda, Germany  
 Postal address: 36035 Fulda, Germany  
 Phone: +49 661 6003-0  
 Fax: +49 661 6003-607  
 Email: mail@jumo.net  
 Internet: www.jumo.net

**JUMO Instrument Co. Ltd.**  
 JUMO House  
 Temple Bank, Riverway  
 Harlow, Essex, CM20 2DY, UK  
 Phone: +44 1279 63 55 33  
 Fax: +44 1279 62 50 29  
 Email: sales@jumo.co.uk  
 Internet: www.jumo.co.uk

**JUMO Process Control, Inc.**  
 6724 Joy Road  
 East Syracuse, NY 13057, USA  
 Phone: +1 315 437 5866  
 Fax: +1 315 437 5860  
 Email: info.us@jumo.net  
 Internet: www.jumousa.com



## Electrical connection

6-core, shielded cable with integrated pressure compensation hose, AWG 24 with ferrules

Outer diameter	Approx. 8.4 mm
Conductor cross section	0.25 mm <sup>2</sup>
Bending radius	
Moving	160 mm
Fixed	120 mm
	It is vital to take into account that if the protective hose is kinked or pinched, this will prevent ambient pressure compensation.
Tensile force	Up to 400 N
Admissible medium temperatures	-20 to +60 °C (depending on the medium)

### for level probe with EPR cable (electrical connection 26)

2-core cable without pressure compensation with ferrules

Outer diameter	Approx. 8.3 mm
Conductor cross section	1 mm <sup>2</sup>
Bending radius	
Moving	40 mm
Fixed	30 mm
Tensile force	Up to 400 N
Admissible medium temperatures	-40 to +60 °C

## Mechanical features

Ensure the medium durability of the material!

Materials	
Process connection	Stainless steel 316 Ti
Measuring membrane	Stainless steel 316 L
Case	Stainless steel 316 Ti
Sealing cone	FPM, EPDM
Outer sheath	Basic type: PE (black), PUR (pepple gray), FEP (black) Basic type with submersible motor cable: EPR (blue)
Pressure compensation hose	PA
Weight	200 g (without cable) plus 1500 g for process connection with mounted protective cage (without cable)
PE cable	Approx. 63 g/m
PUR cable	Approx. 115 g/m
FEP cable	Approx. 90 g/m
EPR cable	Approx. 92 g/m
UV resistance	
PE, PUR cable	According to VDE 0207, test method EN 60811 part 2-1, section 8
FEP cable	According to DIN ISO 4892-2
Diameter	25 mm

**JUMO GmbH & Co. KG**  
 Delivery address: Mackenrodtstraße 14  
 36039 Fulda, Germany  
 Postal address: 36035 Fulda, Germany  
 Phone: +49 661 6003-0  
 Fax: +49 661 6003-607  
 Email: mail@jumo.net  
 Internet: www.jumo.net

**JUMO Instrument Co. Ltd.**  
 JUMO House  
 Temple Bank, Riverway  
 Harlow, Essex, CM20 2DY, UK  
 Phone: +44 1279 63 55 33  
 Fax: +44 1279 62 50 29  
 Email: sales@jumo.co.uk  
 Internet: www.jumo.co.uk

**JUMO Process Control, Inc.**  
 6724 Joy Road  
 East Syracuse, NY 13057, USA  
 Phone: +1 315 437 5866  
 Fax: +1 315 437 5860  
 Email: info.us@jumo.net  
 Internet: www.jumousa.com



## Environmental influences

Inadmissible temperatures Medium, environment	0 to 50 °C The device must <b>not</b> freeze in the medium! A restriction may be required depending on the medium.
Storage	-20 to +80 °C, dry
Electromagnetic compatibility (EC) Interference emission	Class B <sup>a</sup> , according to EN 61326-1
Interference immunity	Industrial requirements, according to EN 61326-2-3
Protection type	IP68, according to EN 60529, submersible to 60 m

<sup>a</sup> The product is suitable for industrial use as well as for households and small businesses.

## Approvals and approval marks

CSA Testing agency	CSA Group
Certificates/certification numbers	70209471
Inspection basis	CAN/CSA-C22.2 No. 61010-1-12, UL Std. No. 61010-1 (3rd Edition)
Valid for	Extra code 067
ACS Testing agency	Eurofins Expertises Environnementales
Certificates/certification numbers	22 ACC NY 044
Inspection basis	DGS/SD7A 2002 n° 571
Valid for	Extra code 881
EAC Testing agency	«Промтехконтроль»
Certificates/certification numbers	EAЭС N RU Д-DE.PA01.B.80830/21
Inspection basis	TR TS 020/2011
Valid for	Type 402090

**JUMO GmbH & Co. KG**  
Delivery address: Mackenrodtstraße 14  
36039 Fulda, Germany  
Postal address: 36035 Fulda, Germany  
Phone: +49 661 6003-0  
Fax: +49 661 6003-607  
Email: mail@jumo.net  
Internet: www.jumo.net

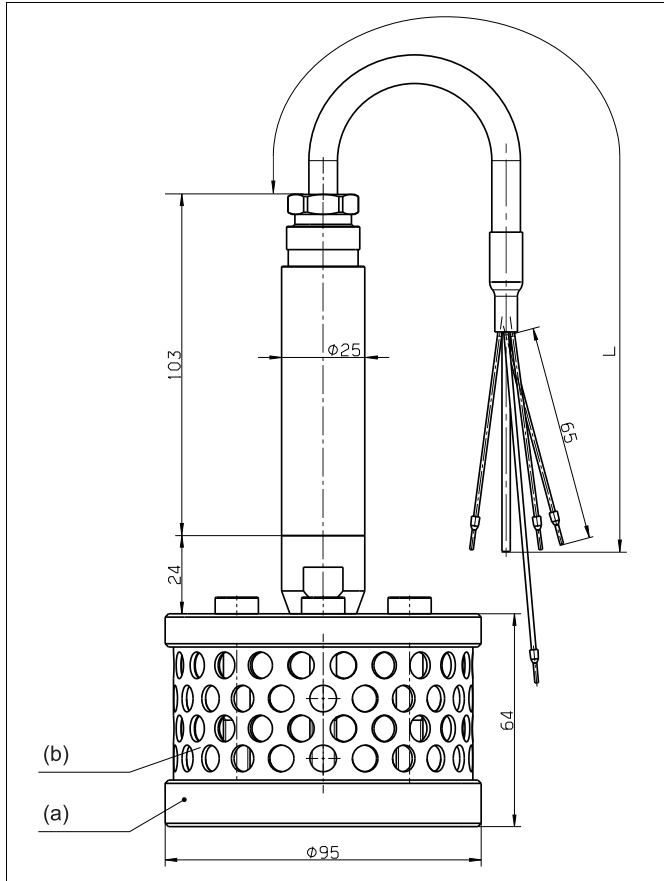
**JUMO Instrument Co. Ltd.**  
JUMO House  
Temple Bank, Riverway  
Harlow, Essex, CM20 2DY, UK  
Phone: +44 1279 63 55 33  
Fax: +44 1279 62 50 29  
Email: sales@jumo.co.uk  
Internet: www.jumo.co.uk

**JUMO Process Control, Inc.**  
6724 Joy Road  
East Syracuse, NY 13057, USA  
Phone: +1 315 437 5866  
Fax: +1 315 437 5860  
Email: info.us@jumo.net  
Internet: www.jumousa.com



## Dimensions

With mounted cage



L Cable length according to customer preference

(a) Protective cage

(b) Perforated metal grid  $\varnothing$  8 mm

The stainless steel version with mounted protective cage is designed for difficult level measurements where sludge, turbulence or currents may be present (e.g. pumping stations, wastewater lifting stations).

The additional weight reduces effects on the output signal with strongly moving media.

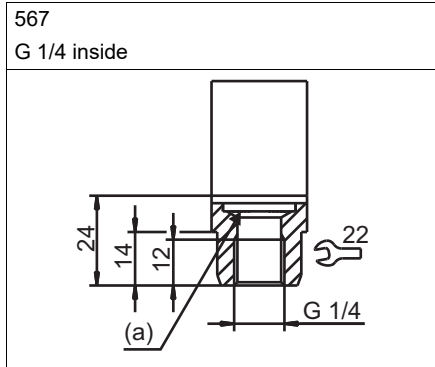
**JUMO GmbH & Co. KG**  
 Delivery address: Mackenrodtstraße 14  
 36039 Fulda, Germany  
 Postal address: 36035 Fulda, Germany  
 Phone: +49 661 6003-0  
 Fax: +49 661 6003-607  
 Email: mail@jumo.net  
 Internet: www.jumo.net

**JUMO Instrument Co. Ltd.**  
 JUMO House  
 Temple Bank, Riverway  
 Harlow, Essex, CM20 2DY, UK  
 Phone: +44 1279 63 55 33  
 Fax: +44 1279 62 50 29  
 Email: sales@jumo.co.uk  
 Internet: www.jumo.co.uk

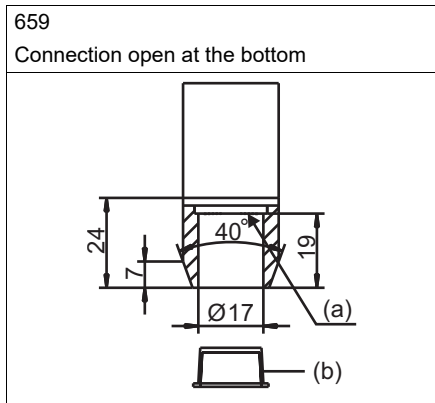
**JUMO Process Control, Inc.**  
 6724 Joy Road  
 East Syracuse, NY 13057, USA  
 Phone: +1 315 437 5866  
 Fax: +1 315 437 5860  
 Email: info.us@jumo.net  
 Internet: www.jumousa.com



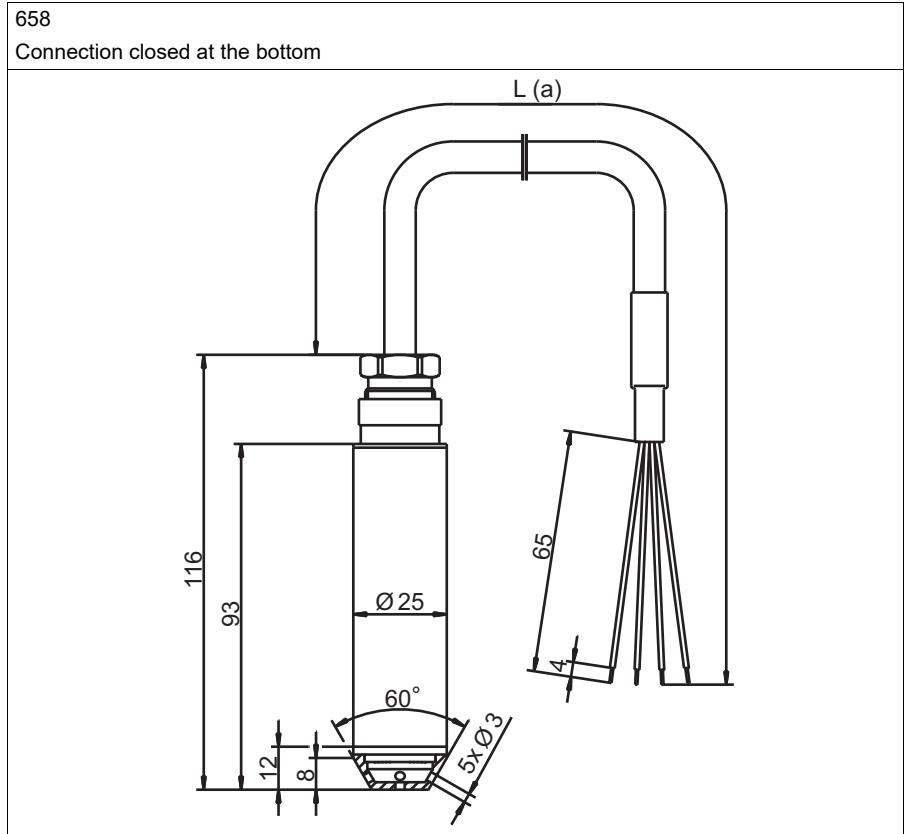
**Process connections**



(a) Sensitive membrane



(a) Sensitive membrane  
 (b) Protective cap



L (a) Cable length according to customer preference

**JUMO GmbH & Co. KG**  
 Delivery address: Mackenrodtstraße 14  
 36039 Fulda, Germany  
 Postal address: 36035 Fulda, Germany  
 Phone: +49 661 6003-0  
 Fax: +49 661 6003-607  
 Email: mail@jumo.net  
 Internet: www.jumo.net

**JUMO Instrument Co. Ltd.**  
 JUMO House  
 Temple Bank, Riverway  
 Harlow, Essex, CM20 2DY, UK  
 Phone: +44 1279 63 55 33  
 Fax: +44 1279 62 50 29  
 Email: sales@jumo.co.uk  
 Internet: www.jumo.co.uk

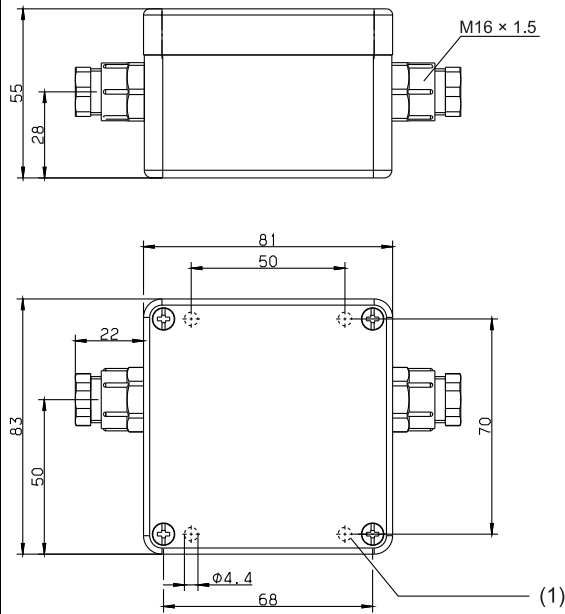
**JUMO Process Control, Inc.**  
 6724 Joy Road  
 East Syracuse, NY 13057, USA  
 Phone: +1 315 437 5866  
 Fax: +1 315 437 5860  
 Email: info.us@jumo.net  
 Internet: www.jumousa.com



## Accessories

Terminal box with pressure compensation

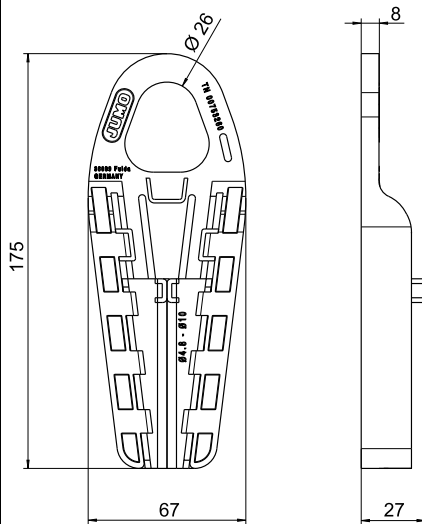
Part no. 00061206



(1) Fastening hole

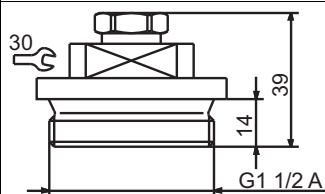
Cable clamp

Part no. 00753260



Sealing screw

Part no. 00333329





**JUMO GmbH & Co. KG**  
 Delivery address: Mackenrodtstraße 14  
 36039 Fulda, Germany  
 Postal address: 36035 Fulda, Germany  
 Phone: +49 661 6003-0  
 Fax: +49 661 6003-607  
 Email: mail@jumo.net  
 Internet: www.jumo.net

**JUMO Instrument Co. Ltd.**  
 JUMO House  
 Temple Bank, Riverway  
 Harlow, Essex, CM20 2DY, UK  
 Phone: +44 1279 63 55 33  
 Fax: +44 1279 62 50 29  
 Email: sales@jumo.co.uk  
 Internet: www.jumo.co.uk


**JUMO Process Control, Inc.**  
 6724 Joy Road  
 East Syracuse, NY 13057, USA  
 Phone: +1 315 437 5866  
 Fax: +1 315 437 5860  
 Email: info.us@jumo.net  
 Internet: www.jumousa.com



## Connection diagram

The connection diagram in the data sheet provides information on product selection.

**For the electrical connection, only use the installation instructions or the operating manual.**

Connection		Terminal assignment
		
		Cable <sup>a</sup>
<b>0 to 20 mA, three-wire</b>		
Voltage supply DC 11.5 to 30 V Rated voltage supply DC 24 V	U <sub>B</sub> <sup>b</sup> 0 V/S- S+	White Gray Yellow
<b>4 to 20 mA, two-wire</b>		
Voltage supply DC 10 to 30 V Rated voltage supply DC 24 V	U <sub>B/S+</sub> 0 V/S-	White Gray
<b>4 to 20 mA, two-wire</b>		
Voltage supply DC 10 to 30 V Rated voltage supply DC 24 V	U <sub>B/S+</sub> 0 V/S-	Brown Blue
<b>4 to 20 mA, three-wire</b>		
Voltage supply DC 11.5 to 30 V Rated voltage supply DC 24 V	U <sub>B</sub> 0 V/S- S+	White Gray Yellow
<b>DC 0.5 to 4.5 V, ratiometric</b>		
Voltage supply DC 5 V Rated voltage supply DC 5 V	U <sub>B</sub> 0 V/S- S+	White Gray Yellow
<b>DC 0 to 10 V, three-wire</b>		
Voltage supply DC 11.5 to 30 V Rated voltage supply DC 24 V	U <sub>B</sub> 0 V/S- S+	White Gray Yellow
<b>DC 1 to 5 V, three-wire</b> <b>DC 1 to 6 V, three-wire</b>		
Voltage supply DC 10 to 30 V Rated voltage supply DC 24 V	U <sub>B</sub> 0 V/S- S+	White Gray Yellow
<b>Shielding</b>		
Caution: Ground the device! Ground all connected devices (such as pumps and valves) to the same potential!		Black

<sup>a</sup> For cable specifications, see installation instructions B 401015.4, chapter 6 "Installation and mounting".

<sup>b</sup> The voltage peaks must not exceed or fall below the specified voltage supply values!

**JUMO GmbH & Co. KG**  
 Delivery address: Mackenrodtstraße 14  
 36039 Fulda, Germany  
 Postal address: 36035 Fulda, Germany  
 Phone: +49 661 6003-0  
 Fax: +49 661 6003-607  
 Email: mail@jumo.net  
 Internet: www.jumo.net

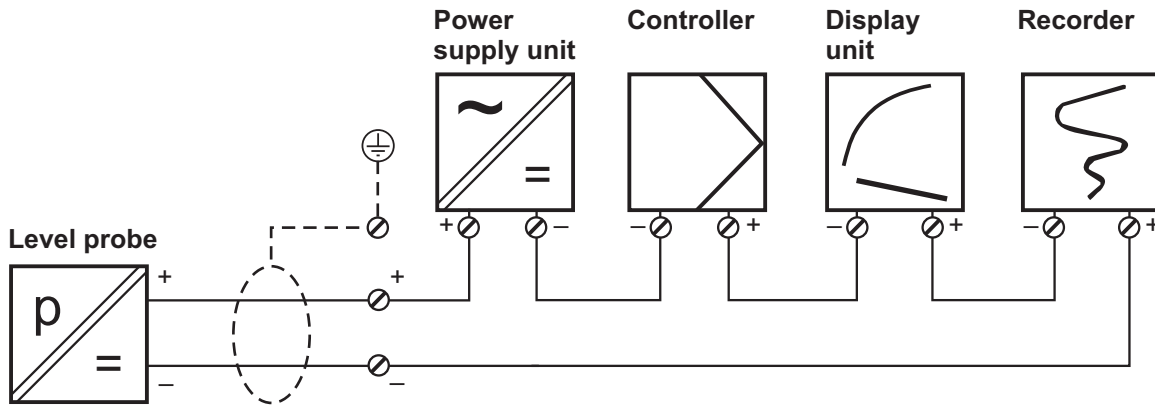
**JUMO Instrument Co. Ltd.**  
 JUMO House  
 Temple Bank, Riverway  
 Harlow, Essex, CM20 2DY, UK  
 Phone: +44 1279 63 55 33  
 Fax: +44 1279 62 50 29  
 Email: sales@jumo.co.uk  
 Internet: www.jumo.co.uk

**JUMO Process Control, Inc.**  
 6724 Joy Road  
 East Syracuse, NY 13057, USA  
 Phone: +1 315 437 5866  
 Fax: +1 315 437 5860  
 Email: info.us@jumo.net  
 Internet: www.jumousa.com

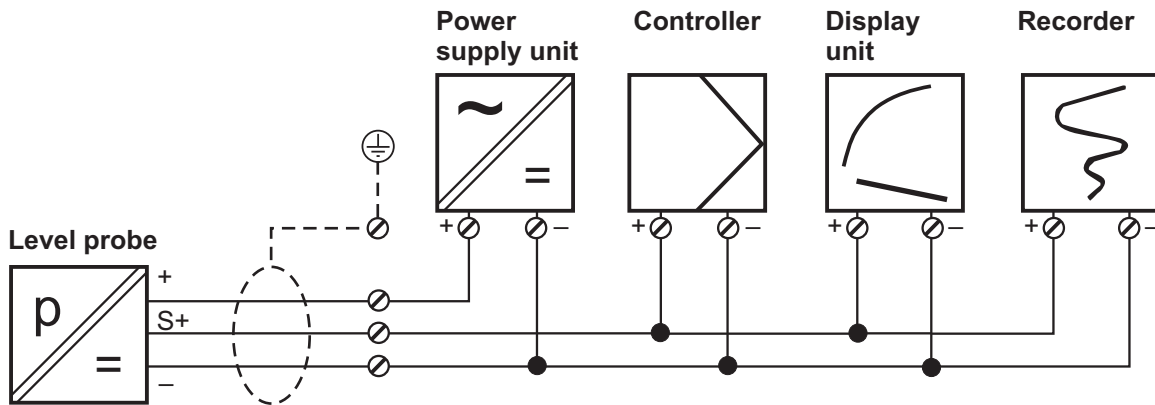


**Connection example**

Current output



Voltage output



**JUMO GmbH & Co. KG**

Delivery address: Mackenrodtstraße 14  
36039 Fulda, Germany  
Postal address: 36035 Fulda, Germany  
Phone: +49 661 6003-0  
Fax: +49 661 6003-607  
Email: mail@jumo.net  
Internet: www.jumo.net

**JUMO Instrument Co. Ltd.**

JUMO House  
Temple Bank, Riverway  
Harlow, Essex, CM20 2DY, UK  
Phone: +44 1279 63 55 33  
Fax: +44 1279 62 50 29  
Email: sales@jumo.co.uk  
Internet: www.jumo.co.uk

**JUMO Process Control, Inc.**

6724 Joy Road  
East Syracuse, NY 13057, USA  
Phone: +1 315 437 5866  
Fax: +1 315 437 5860  
Email: info.us@jumo.net  
Internet: www.jumousa.com



## Order details

	<b>(1) Basic type</b>
402090/000	JUMO MAERA S26 – Level probe
402090/023	JUMO MAERA S26 – Level probe with improved accuracy <sup>a</sup>
	<b>(2) Input</b>
451	0 to 0.25 bar relative pressure
452	0 to 0.4 bar relative pressure
453	0 to 0.6 bar relative pressure
454	0 to 1 bar relative pressure
455	0 to 1.6 bar relative pressure
456	0 to 2.5 bar relative pressure
457	0 to 4 bar relative pressure
458	0 to 6 bar relative pressure
459	0 to 10 bar relative pressure
999	Special measuring range for relative pressure <sup>b</sup>
	<b>(3) Output</b>
402	0 to 20 mA, three-wire
405	4 to 20 mA, two-wire
406	4 to 20 mA, three-wire
412	0.5 to 4.5 V, three-wire
415	0 to 10 V, three-wire
418	1 to 5 V, three-wire
420	1 to 6 V, three-wire
	<b>(4) Process connection</b>
567	G 1/4 inside
658	Connection closed at the bottom
659	Connection open at the bottom
759	Mounted protective cage Ø 95 mm
	<b>(5) Process connection material</b>
20	CrNi (stainless steel)
	<b>(6) Electrical connection type</b>
14	PUR cable, pebble gray, shielded, UV-resistant
15	PE-LD cable, black, shielded, UV-resistant
25	FEP cable, black, shielded, UV-resistant
26	Submersible motor cable, EPR cable, blue <sup>c</sup>
	<b>(7) Cable length of the connecting cable</b>
005	5 m
010	10 m
...	...
100	100 m

**JUMO GmbH & Co. KG**  
 Delivery address: Mackenrodtstraße 14  
 36039 Fulda, Germany  
 Postal address: 36035 Fulda, Germany  
 Phone: +49 661 6003-0  
 Fax: +49 661 6003-607  
 Email: mail@jumo.net  
 Internet: www.jumo.net

**JUMO Instrument Co. Ltd.**  
 JUMO House  
 Temple Bank, Riverway  
 Harlow, Essex, CM20 2DY, UK  
 Phone: +44 1279 63 55 33  
 Fax: +44 1279 62 50 29  
 Email: sales@jumo.co.uk  
 Internet: www.jumo.co.uk

**JUMO Process Control, Inc.**  
 6724 Joy Road  
 East Syracuse, NY 13057, USA  
 Phone: +1 315 437 5866  
 Fax: +1 315 437 5860  
 Email: info.us@jumo.net  
 Internet: www.jumousa.com



(8) Extra codes	
000	None
067	CSA approval
593	Cutting ring fitting (preparation for protection tube)
631	Improved moisture and vibration protection
881	Drinking water approval <sup>d</sup>
917	EPDM seal

<sup>a</sup> Measuring devices with improved accuracy can only be supplied with output 4 to 20 mA, two-wire, **and** measuring ranges from 0 to 0.6 bar.




<sup>b</sup> Measuring ranges up to 10 bar (100 mWS) are available with CSA approval.

<sup>c</sup> Only available with 4 to 20 mA, two-wire.

<sup>d</sup> Only available with EPDM seal, PE-LED cable, or submersible motor cable, EPR cable.

<b>Order code</b>	(1)	(2)	(3)	(4)	(5)	(6)	(7)	(8)
<b>Order example</b>	402090/000	- 454	- 405	- 659	- 20	- 15	- 010	/ 000

## Accessories

Item	Description	Part no.
Terminal box with pressure compensation element 	The terminal box is used for secure installation of the level probe cable. The end of the pressure equalization hose is always protected from precipitate and condensation (IP65). The remaining distribution can be performed with a cable without a pressure equalization hose.  The terminal case should be mounted as close as possible to the medium surface while still outside the medium to ensure the system is implemented cost-effectively and in the best possible way.	00061206
Cable clamp 	The cable clamp holds the probe in the liquid at a defined depth and provides strain relief. Use of the cable clamp ensures that the cable is not deformed in an unacceptable manner.  The cable clamp is compatible with all JUMO level probes.  The clamping range is 4.8 mm to 10 mm. The maximum tensile strength is 390 N. The cable clamp is made of UV-resistant, corrosion-free and fiberglass-reinforced polyamide. The central elongated holes are provided for optional, application-dependent fixing of the cable to prevent the clamping jaws from sliding upwards. The side elongated hole is provided for fixing additional cable length.	00753260
Sealing screw 	For closed containers or water wells with a well head, the cable should be guided through and fastened by a sealing screw.  The sealing screw is made up of a G 1 1/2" thread and is used to route the cable.	00333329
Pressure compensation filter for cable	The pressure compensation filter is a breathable filter that ensures aeration and exhaust-air ventilation without moisture penetrating. It is fitted at the end of the special cable.	00382632