

**JUMO GmbH & Co. KG**  
Delivery address: Mackenrodtstraße 14  
36039 Fulda, Germany  
Postal address: 36035 Fulda, Germany  
Phone: +49 661 6003-0  
Fax: +49 661 6003-607  
Email: mail@jumo.net  
Internet: www.jumo.net

**JUMO UK LTD**  
JUMO House  
Temple Bank, Riverway  
Harlow, Essex, CM20 2DY, UK  
Phone: +44 1279 63 55 33  
Fax: +44 1279 62 50 29  
Email: sales@jumo.co.uk  
Internet: www.jumo.co.uk

**JUMO Process Control, Inc.**  
6724 Joy Road  
East Syracuse, NY 13057, USA  
Phone: +1 315 437 5866  
Fax: +1 315 437 5860  
Email: info.us@jumo.net  
Internet: www.jumousa.com



# Push-in RTD temperature probe

## With connection line

### Areas of application

- Apparatus engineering
- Heating, ventilation, and air-conditioning
- Climatic chambers
- Laboratory technology
- Solar units

### Special features

- Single and double RTD temperature probes
- Straight and angled variants
- Flexible connection lines
- Strain-relieved
- SIL and PL-qualified
- Optional bend protection

### Description

The push-in RTD temperature probe measures temperatures in liquids and gases. The device is suitable for use in dry and humid rooms.



Type 902150/10



Type 902150/40



Type 902150/41

**JUMO GmbH & Co. KG**  
 Delivery address: Mackenrodtstraße 14  
 36039 Fulda, Germany  
 Postal address: 36035 Fulda, Germany  
 Phone: +49 661 6003-0  
 Fax: +49 661 6003-607  
 Email: mail@jumo.net  
 Internet: www.jumo.net

**JUMO UK LTD**  
 JUMO House  
 Temple Bank, Riverway  
 Harlow, Essex, CM20 2DY, UK  
 Phone: +44 1279 63 55 33  
 Fax: +44 1279 62 50 29  
 Email: sales@jumo.co.uk  
 Internet: www.jumo.co.uk

**JUMO Process Control, Inc.**  
 6724 Joy Road  
 East Syracuse, NY 13057, USA  
 Phone: +1 315 437 5866  
 Fax: +1 315 437 5860  
 Email: info.us@jumo.net  
 Internet: www.jumousa.com



## Approvals



Certificates for approved device versions are available for download on the manufacturer's website.

## Technical data

### Electrical data

Electrical connection	
Connection element	Connection line with a stripped line end Connection line with tin-plated connection wires Connection line with ferrules Connection line with M12 plug connector Connection line with multi-pole plug connection

### Environmental influences

Admissible ambient temperature of the connection line	
PVC	-5 to +80 °C
Silicone	-50 to +180 °C
PTFE	-50 to +260 °C
Metal braiding	-50 to +260 °C
Glass fiber	-50 to +400 °C

### Mechanical features

Materials	
Connection line insulation material	PVC Silicone PTFE Metal braiding Glass fiber
Protection tube	Stainless steel
Connection line	Strain-relieved
Protection tube	Ø 3 mm Ø 4 mm Ø 5 mm Ø 6 mm
Response times	
In water 0.4 m/s	$t_{0.5} \approx 4 \text{ s}$ , $t_{0.9} \approx 10 \text{ s}$ , Ø 6 mm
In air 3.0 m/s	$t_{0.5} \approx 32 \text{ s}$ , $t_{0.9} \approx 98 \text{ s}$ , Ø 6 mm

**JUMO GmbH & Co. KG**

Delivery address: Mackenrodtstraße 14  
 36039 Fulda, Germany  
 Postal address: 36035 Fulda, Germany  
 Phone: +49 661 6003-0  
 Fax: +49 661 6003-607  
 Email: mail@jumo.net  
 Internet: www.jumo.net

**JUMO UK LTD**

JUMO House  
 Temple Bank, Riverway  
 Harlow, Essex, CM20 2DY, UK  
 Phone: +44 1279 63 55 33  
 Fax: +44 1279 62 50 29  
 Email: sales@jumo.co.uk  
 Internet: www.jumo.co.uk

**JUMO Process Control, Inc.**

6724 Joy Road  
 East Syracuse, NY 13057, USA  
 Phone: +1 315 437 5866  
 Fax: +1 315 437 5860  
 Email: info.us@jumo.net  
 Internet: www.jumousa.com



Measuring insert	DIN EN IEC 60751 1× Pt100 in 2-wire circuit 1× Pt100 in 3-wire circuit 1× Pt100 in 4-wire circuit 1× Pt1000 in 2-wire circuit 2× Pt100 in 2-wire circuit 2× Pt100 in 3-wire circuit 2× Pt1000 in 2-wire circuit
Tolerance class	Class B (standard) Class A Class AA

**JUMO GmbH & Co. KG**  
Delivery address: Mackenrodtstraße 14  
36039 Fulda, Germany  
Postal address: 36035 Fulda, Germany  
Phone: +49 661 6003-0  
Fax: +49 661 6003-607  
Email: mail@jumo.net  
Internet: www.jumo.net

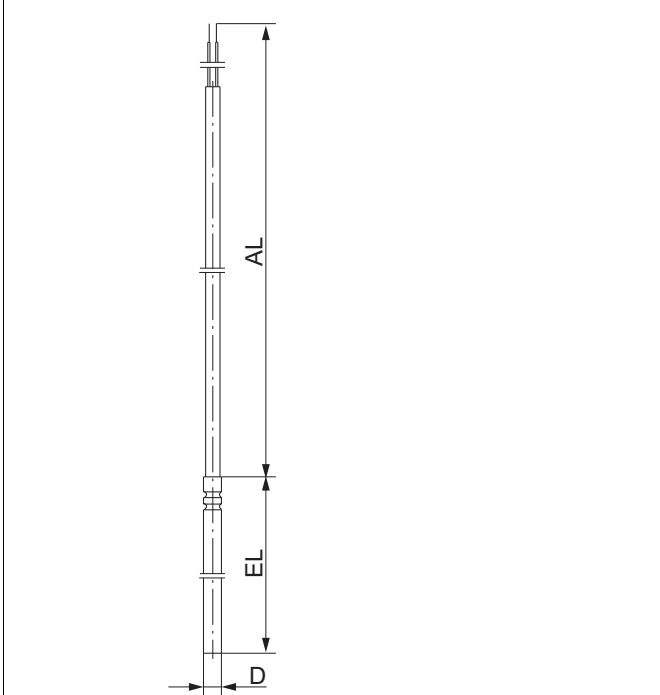
**JUMO UK LTD**  
JUMO House  
Temple Bank, Riverway  
Harlow, Essex, CM20 2DY, UK  
Phone: +44 1279 63 55 33  
Fax: +44 1279 62 50 29  
Email: sales@jumo.co.uk  
Internet: www.jumo.co.uk

**JUMO Process Control, Inc.**  
6724 Joy Road  
East Syracuse, NY 13057, USA  
Phone: +1 315 437 5866  
Fax: +1 315 437 5860  
Email: info.us@jumo.net  
Internet: www.jumousa.com

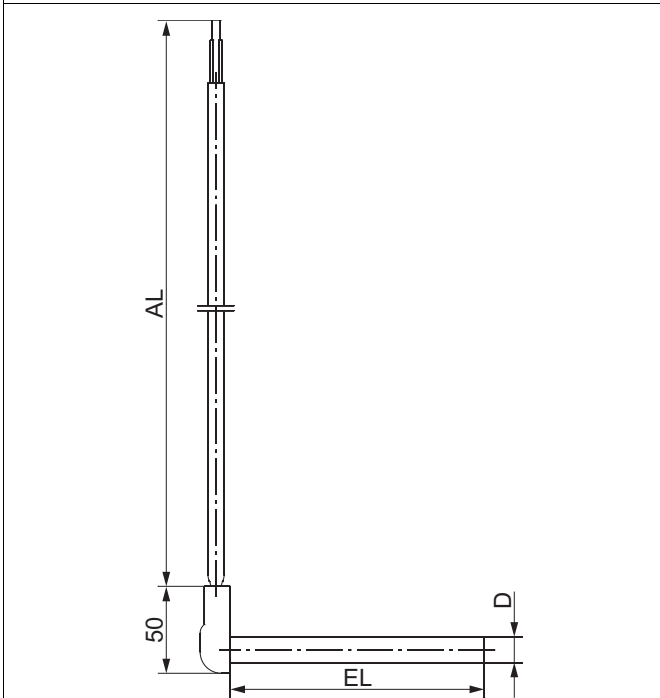


## Dimensions

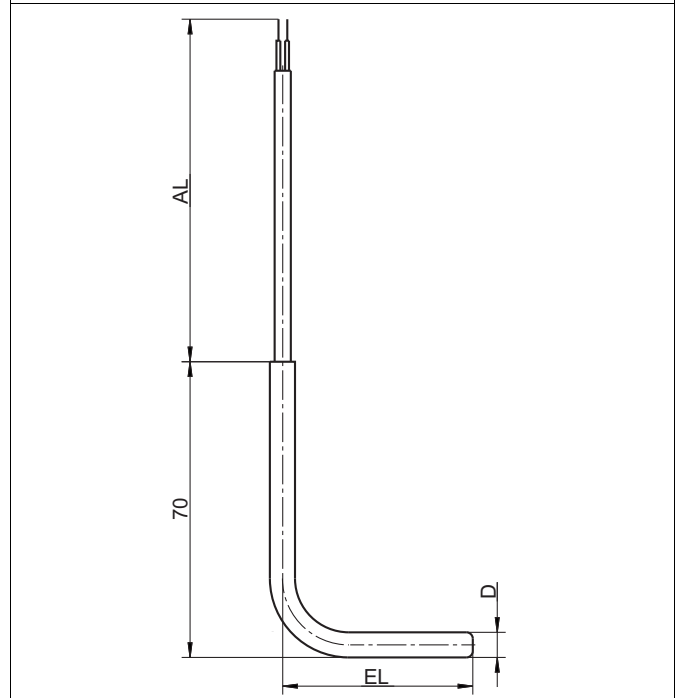
**Type 902150/10**  
with connection line and protection tube



**Type 902150/40**  
with right-angled connection line and protection tube



**Type 902150/41**  
with connection line and right-angled protection tube




**JUMO GmbH & Co. KG**  
 Delivery address: Mackenrodtstraße 14  
 36039 Fulda, Germany  
 Postal address: 36035 Fulda, Germany  
 Phone: +49 661 6003-0  
 Fax: +49 661 6003-607  
 Email: mail@jumo.net  
 Internet: www.jumo.net

**JUMO UK LTD**  
 JUMO House  
 Temple Bank, Riverway  
 Harlow, Essex, CM20 2DY, UK  
 Phone: +44 1279 63 55 33  
 Fax: +44 1279 62 50 29  
 Email: sales@jumo.co.uk  
 Internet: www.jumo.co.uk

**JUMO Process Control, Inc.**  
 6724 Joy Road  
 East Syracuse, NY 13057, USA  
 Phone: +1 315 437 5866  
 Fax: +1 315 437 5860  
 Email: info.us@jumo.net  
 Internet: www.jumousa.com



## Order details

	<b>(1) Basic type</b>	
902150/10	Push-in RTD temperature probe with connection line, stainless steel protection tube	
	<b>(2) Operating temperature</b>	
724	-5 to +80 °C	
378	-50 to +180 °C	
386	-50 to +260 °C (PTFE)	
388	-50 to +260 °C (metal braiding)	
402	-50 to +400 °C	
	<b>(3) Measuring insert</b>	
1003	1× Pt100 in 2-wire circuit	
1001	1× Pt100 in 3-wire circuit	
1011	1× Pt100 in 4-wire circuit	
1005	1× Pt1000 in 2-wire circuit	
2003	2× Pt100 in 2-wire circuit	
2001	2× Pt100 in 3-wire circuit	
2005	2× Pt1000 in 2-wire circuit	
	<b>(4) Tolerance class according to DIN EN IEC 60751</b>	
1	Class B (standard)	
2	Class A	
3	Class AA	
	<b>(5) Protection tube diameter D</b>	
3	Ø 3 mm	
4	Ø 4 mm	
5	Ø 5 mm	
6	Ø 6 mm	
	<b>(6) Insertion length EL</b>	
30	30 mm	
40	40 mm	
50	50 mm	
60	60 mm	
100	100 mm	
150	150 mm	
200	200 mm	
	<b>(7) Connection line end</b>	
03	Bare connection wires	
04	Tin-plated connection wires	
11	Ferrules (standard)	
56	M12 plug connector	
80	Multi-pole plug connection (specify type in plain text)	
	<b>(8) Connection line length AL</b>	
2500	2500 mm	
....	Specification in plain text (500 mm increments)	
	<b>(9) Extra codes</b>	
000	None	
061	UL approval (not in connection with operating temperature 388 or 402)	
880	DNV approval (only in connection with protection tube diameter 6 to insertion length 150)	
310	Protection tube, reduced	
315	Bend protection spring	

**JUMO GmbH & Co. KG**  
 Delivery address: Mackenrodtstraße 14  
 36039 Fulda, Germany  
 Postal address: 36035 Fulda, Germany  
 Phone: +49 661 6003-0  
 Fax: +49 661 6003-607  
 Email: mail@jumo.net  
 Internet: www.jumo.net

**JUMO UK LTD**  
 JUMO House  
 Temple Bank, Riverway  
 Harlow, Essex, CM20 2DY, UK  
 Phone: +44 1279 63 55 33  
 Fax: +44 1279 62 50 29  
 Email: sales@jumo.co.uk  
 Internet: www.jumo.co.uk

**JUMO Process Control, Inc.**  
 6724 Joy Road  
 East Syracuse, NY 13057, USA  
 Phone: +1 315 437 5866  
 Fax: +1 315 437 5860  
 Email: info.us@jumo.net  
 Internet: www.jumousa.com



316	Bend protection tubing
317	Shielded connection line
093	Shielding connected with protection tube (only in connection with extra code 317)
094	Shielding fed out on the connection side with grounding wire (only in connection with extra code 317)
366	Inspection certificate 3.1 DIN EN 10204 tolerance/calibration
775	DAkkS calibration according to ISO/IEC 17025
879	Application according to AMS 2750, CQI-9, ISO 20431 (only in connection with tolerance class A or AA)
658	SIL and PL-compatible (only in connection with safetyM safety temperature limiter/monitor according to data sheet 701150; not in connection with transmitters)
659	SIL and PL-compatible (only in connection with dTRANS T06 cable transmitter according to data sheet 707071; not in connection with other transmitters)
665	SIL and PL-compatible (only in connection with programmable dTRANS T07 T SIL two-channel transmitter with HART® communication and SIL according to data sheet 707080; not in connection with other transmitters)

Order code                    (1)                    (2)                    (3)                    (4)                    (5)                    (6)                    (7)                    (8)                    (9)                    , ...<sup>a</sup>  
 Order example                902150/10           -   378           -   1001           -   1           -   6           -   50           -   11           -   2500   /   000

<sup>a</sup> List extra codes in sequence and separate using commas.

**JUMO GmbH & Co. KG**  
 Delivery address: Mackenrodtstraße 14  
 36039 Fulda, Germany  
 Postal address: 36035 Fulda, Germany  
 Phone: +49 661 6003-0  
 Fax: +49 661 6003-607  
 Email: mail@jumo.net  
 Internet: www.jumo.net

**JUMO UK LTD**  
 JUMO House  
 Temple Bank, Riverway  
 Harlow, Essex, CM20 2DY, UK  
 Phone: +44 1279 63 55 33  
 Fax: +44 1279 62 50 29  
 Email: sales@jumo.co.uk  
 Internet: www.jumo.co.uk

**JUMO Process Control, Inc.**  
 6724 Joy Road  
 East Syracuse, NY 13057, USA  
 Phone: +1 315 437 5866  
 Fax: +1 315 437 5860  
 Email: info.us@jumo.net  
 Internet: www.jumousa.com



		<b>(1) Basic type</b>	
	902150/40	Push-in RTD temperature probe with right-angled connection line, stainless steel protection tube	
	902150/41	Push-in RTD temperature probe with connection line, right-angled stainless steel protection tube	
		<b>(2) Operating temperature</b>	
x x	724	-5 to +80 °C	
x x	378	-50 to +180 °C	
x x	386	-50 to +260 °C (PTFE)	
x x	388	-50 to +260 °C (metal braiding)	
x x	402	-50 to +400 °C	
		<b>(3) Measuring insert</b>	
x x	1003	1× Pt100 in 2-wire circuit	
x x	1001	1× Pt100 in 3-wire circuit	
x x	1011	1× Pt100 in 4-wire circuit	
x x	1005	1× Pt1000 in 2-wire circuit	
x x	2003	2× Pt100 in 2-wire circuit	
x x	2001	2× Pt100 in 3-wire circuit	
x x	2005	2× Pt1000 in 2-wire circuit	
		<b>(4) Tolerance class according to DIN EN IEC 60751</b>	
x x	1	Class B (standard)	
x x	2	Class A	
x x	3	Class AA	
		<b>(5) Protection tube diameter D</b>	
x	4	Ø 4 mm	
x x	5	Ø 5 mm	
x x	6	Ø 6 mm	
x	9	Ø 9 mm	
		<b>(6) Insertion length EL</b>	
x x	50	50 mm	
x x	60	60 mm	
x x	100	100 mm	
x x	150	150 mm	
x x	200	200 mm	
		<b>(7) Connection line end</b>	
x x	03	Bare connection wires	
x x	04	Tin-plated connection wires	
x x	11	Ferrules (standard)	
x x	56	M12 plug connector	
x x	80	Multi-pole plug connection (specify type in plain text)	
		<b>(8) Connection line length AL</b>	
x x	2500	2500 mm	
x x	....	Specification in plain text (500 mm increments)	

**JUMO GmbH & Co. KG**  
 Delivery address: Mackenrodtstraße 14  
 36039 Fulda, Germany  
 Postal address: 36035 Fulda, Germany  
 Phone: +49 661 6003-0  
 Fax: +49 661 6003-607  
 Email: mail@jumo.net  
 Internet: www.jumo.net

**JUMO UK LTD**  
 JUMO House  
 Temple Bank, Riverway  
 Harlow, Essex, CM20 2DY, UK  
 Phone: +44 1279 63 55 33  
 Fax: +44 1279 62 50 29  
 Email: sales@jumo.co.uk  
 Internet: www.jumo.co.uk

**JUMO Process Control, Inc.**  
 6724 Joy Road  
 East Syracuse, NY 13057, USA  
 Phone: +1 315 437 5866  
 Fax: +1 315 437 5860  
 Email: info.us@jumo.net  
 Internet: www.jumousa.com



		(9)	Extra codes
x	x	000	None
x	x	061	UL approval (not in connection with operating temperature 388 or 402)
x	x	880	DNV approval (only in connection with protection tube diameter 6 to insertion length 150)
x	x	310	Protection tube, reduced
x	x	315	Bend protection spring
x	x	316	Bend protection tubing
x	x	317	Shielded connection line
x	x	093	Shielding connected with protection tube (only in connection with extra code 317)
x	x	094	Shielding fed out on the connection side with grounding wire (only in connection with extra code 317)
x	x	366	Inspection certificate 3.1 DIN EN 10204 tolerance/calibration
x	x	775	DAkkS calibration according to ISO/IEC 17025
x	x	879	Application according to AMS 2750, CQI-9, ISO 20431 (only in connection with tolerance class A or AA)
x	x	658	SIL and PL-compatible (only in connection with safetyM safety temperature limiter/monitor according to data sheet 701150; not in connection with transmitters)
x	x	659	SIL and PL-compatible (only in connection with dTRANS T06 cable transmitter according to data sheet 707071; not in connection with other transmitters)
x	x	665	SIL and PL-compatible (only in connection with programmable dTRANS T07 T SIL two-channel transmitter with HART® communication and SIL according to data sheet 707080; not in connection with other transmitters)

Order code                    (1)                    (2)                    (3)                    (4)                    (5)                    (6)                    (7)                    (8)                    (9)                    , ...<sup>a</sup>  
 Order example                902150/40           -   378           -   1001           -   1           -   6           -   50           -   11           -   2500           /   000

<sup>a</sup> List extra codes in sequence and separate using commas.



**JUMO GmbH & Co. KG**

Delivery address: Mackenrodtstraße 14  
36039 Fulda, Germany  
Postal address: 36035 Fulda, Germany  
Phone: +49 661 6003-0  
Fax: +49 661 6003-607  
Email: mail@jumo.net  
Internet: www.jumo.net

**JUMO UK LTD**

JUMO House  
Temple Bank, Riverway  
Harlow, Essex, CM20 2DY, UK  
Phone: +44 1279 63 55 33  
Fax: +44 1279 62 50 29  
Email: sales@jumo.co.uk  
Internet: www.jumo.co.uk

**JUMO Process Control, Inc.**

6724 Joy Road  
East Syracuse, NY 13057, USA  
Phone: +1 315 437 5866  
Fax: +1 315 437 5860  
Email: info.us@jumo.net  
Internet: www.jumousa.com



## Stock versions

Order code	Part no.
902150/10-724-1003-1-6-50-11-2500/000	30056168
902150/10-724-1005-1-6-50-11-2500/000	30056169
902150/10-378-1003-1-5-150-11-2500/000	30056170
902150/10-378-1003-1-6-50-11-2500/000	30056171
902150/10-378-1003-2-6-50-11-2500/000	30056172
902150/10-378-1003-1-6-100-11-2500/000	30056173
902150/10-378-1001-1-6-50-11-2500/000	30056174
902150/10-378-1001-1-6-50-11-5000/000	30056175
902150/10-378-1001-2-6-200-11-2500/000	30056176
902150/10-378-2003-1-6-50-11-2500/000	30056178
902150/10-386-1001-1-3-50-11-2500/000	30056179
902150/10-386-1001-1-6-50-11-2500/000	30056180
902150/10-388-1003-1-6-50-11-2500/317	30048624
902150/10-388-1001-1-6-50-11-2500/315,317	30056183
902150/10-402-1003-1-6-50-11-2500/317	30056184

## Accessories

Designation	Part no.
Steel sheet flange for protection tube diameter 6 mm	00065062
Designation	Data sheet
Cable transmitter dTRANS T09	707090
Compression fittings	909750

## Trademark information

All trademarks and trade and company names used are the property of their rightful owners or authors.