



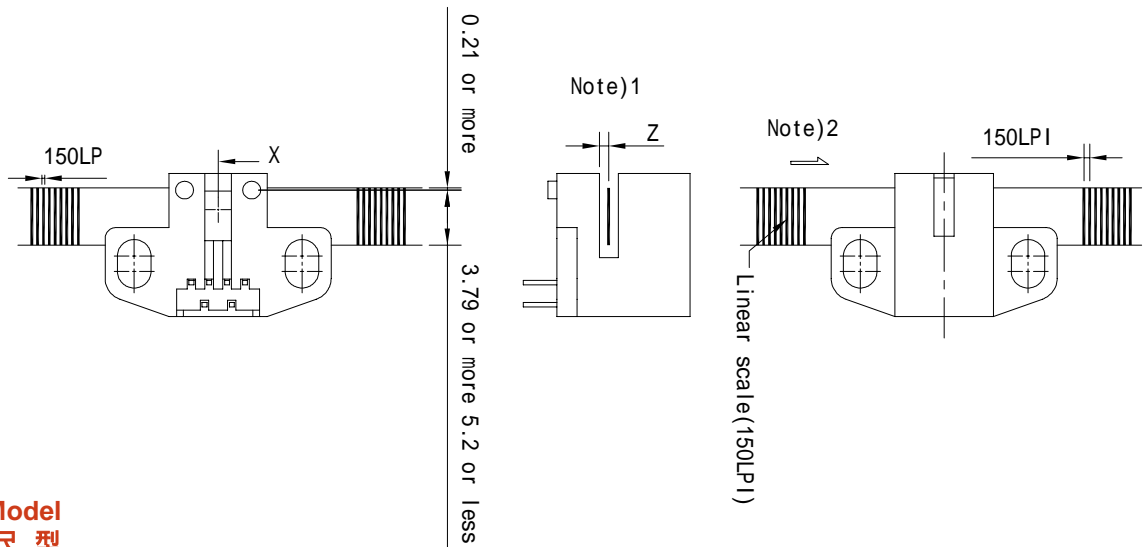
APPLICATION

- ◆ Printer 印表機
 - ◆ Plotter 繪圖機
 - ◆ OA Machine OA 儀器
 - ◆ Middle and small motors and other control for position or angle measurement.
- 中小型馬達及相當自動控制定位或角度測量

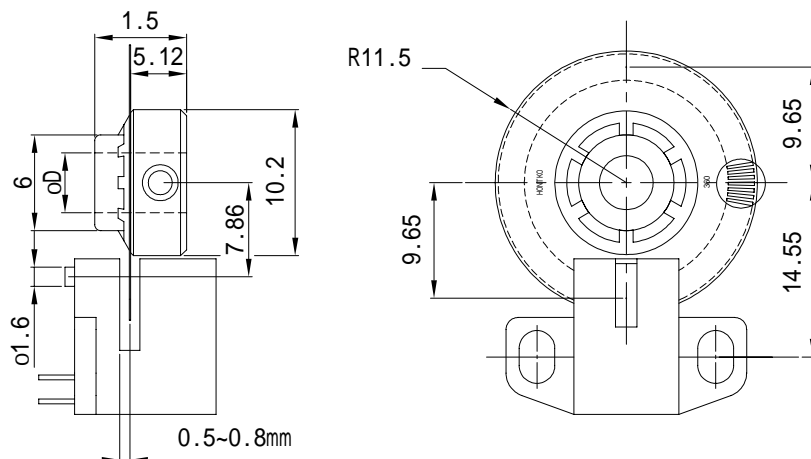
SPECIFICATION

Power Supply 供應電源	DC 5V +/- 10% (others by request)
Pulse per Revolution 解析	360 P/R (standard), others by request
Output Wave 輸出波型	Square Wave; A,B phase (90+/-45°)
Response 響應頻率	50K Hz Max.
Max. Speed 最大機械容許速度	3,000 R.P.M.
Operating Temp. 操作溫度	0~60
Hub Diameter 軸心固定孔徑	2 / 2.5 / 3 / 4 mm

ASSEMBLIES



Linear Scale Model
直線光學尺型



Rotary Model
旋轉型