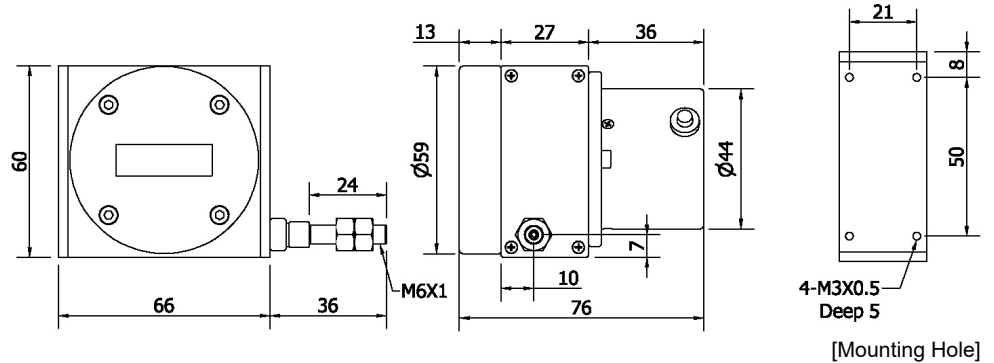


HPS-S-R

LINEAR WIRE POTENTIOMETER

- PRECISION ELECTRIC RESISTANCE SIGNAL OUTPUT
- SUITABLE FOR SHORT MEASUREMENT RANGE



ELECTRICAL SPEC.

Full Stroke (mm) 量測行程	500, 1000
Sensor	Wire-wound and hybrid potentiometer
Output Signal Mode 輸出信號模式	Resistance (Potentiometer)
Resolution 解析	Essentially infinite
Linearity 線性度	[standard class] $\pm 0.25\%$ FS; [precision class] $\pm 0.1\%$ FS
Repeatability 重覆性	$\pm 0.02\%$ FS
Output Resistance 輸出電阻值	[standard class] 5K ohm $\pm 10\%$ FS; [precision class] 5K ohm $\pm 5\%$ FS
Power Rating (watts)	[stroke 500 mm] 1 W at 40°C; [stroke 1000 mm] 2 W at 40°C
Recommended Input Voltage 輸入電壓	30V (AC/DC) max., best voltage at 5 ~ 10 VAC/VDC

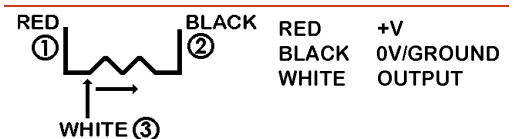
MECHANICAL SPEC.

Wire Specification 線徑規格	Material: SUS304 with nylon coating; Diameter: 0.6 mm
Max. Travel Speed 最大往復速度	500 mm / sec.
Vibration 震動	10 Hz to 2000 Hz, 10 g
Cable 電線	Ø4.2, 50 cm long
Weight 重量	< 600 g
Starting Torque on Spring 拉力	< 600 g

ENVIRONMENTAL SPEC.

Operating Temp. / Humidity 操作溫度/濕度	-20°C ~ 70°C RH35% ~ 90% (No Condensation)
Storage Temp. 儲存溫度	-20°C ~ 80°C
Protection 保護等級	IP50: Dust Proof (only for potentiometer housing)

Electrical Connection



ORDERING INFORMATION

HPS-S	Measuring Range 量測行程	Signal Mode 信號模式	Life 壽命及線性度
	05 : 500 mm 10 : 1000 mm	R: Resistance 5K ohm	Blank: 1 X 10 ⁶ cycles, linearity 0.25% FS *F: 5 X 10 ⁶ cycles, linearity 0.1% FS *F25: 5 X 10 ⁶ cycles, linearity 0.25% FS