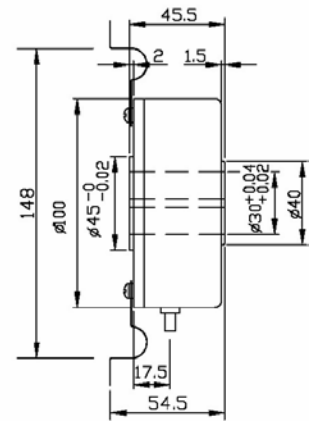
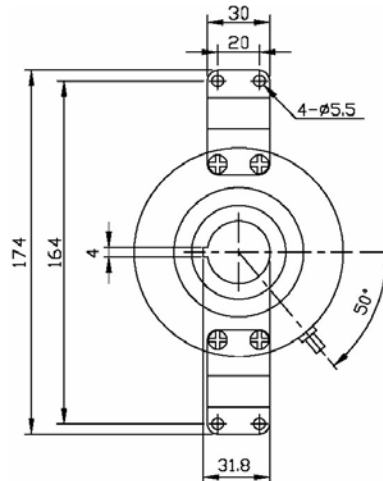


HTR-HD

HOLLOW TYPE ROTARY ENCODER



ELECTRICAL SPEC.

| | |
|---|---|
| Detection System | Incremental 增量型 |
| Output Wave 輸出波形 | Square Wave 方波 |
| Standard Number of Pulse Per Revolution 解析 | 200, 512, 600, 1024 |
| Output Phase 輸出相 | AB phase or ABZ phase |
| Electronics 電路特性 | NPN Voltage, NPN Open Collector, Push Pull or Line Driver |
| Power Supply 供應電源 | DC 8~26V, DC 5V fixed |
| Current Consumption 消耗電流 | ≤ 60 mA |
| Output Capacity 輸出容量 | Sync. Current: 20 mA, Residual Voltage: 0.5V or less |
| Max. Response 最大響應頻率 | 10K Hz ~ 100K Hz |
| Phase Different 相位差 | A, B phase different 90°±45° (T/4±T/8), Z phase T±T/2 |
| Wave Form Rise / Fall 波形上下時間 | 2 μs or less |
| Polarity 極性保護 | Against Reverse Protection (not with DC 5V) |

MECHANICAL SPEC.

| | |
|--------------------------------|---------------------------------|
| Hollow Shaft Diameter 孔徑 | 30 mm |
| Shaft Loading 軸荷重 | Axial 軸向: 1 Kg, Radial 徑向: 2 Kg |
| Starting Torque (at 25°C) 起動轉矩 | ≤ 600 gf-cm |
| Max. Speed 最大機械容許速度 | 2,500 rpm |
| Vibration 震動 | 10g (10±1,500 Hz) |
| Shock 衝擊 | 20g per 11 ms |
| Cable 電線 | Ø5.4, 100 cm long |
| Weight 重量 | ≤ 1200g |

ENVIRONMENTAL SPEC.

| | |
|------------------------------------|--|
| Operating Temp. / Humidity 操作溫度/濕度 | -10°C ~ 60°C, RH 35% ~ 90% (No Condensation) |
| Storage Temp. 儲存溫度 | -20°C ~ 80°C |
| Protection 保護等級 | IP50: Dust Proof |

ORDERING INFORMATION

| | | | | | |
|---------------|-------------------|----------------------------|---|---|--|
| HTR-HD | Hole Size 中空軸徑 | Pulse per Revolution 解析 | Output Phase 輸出相 | Electronics 電路特性 | Supply Voltage 供應電源 |
| | 30: 30 mm | 200, 512, 600, 1024 P/R | 2: AB phase 3: ABZ phase 4: AB+Z high phase | Blank: NPN Voltage C: NPN Open-Collector PP: Push-Pull *L: Line Driver 5Vdc *HL: Line Driver 5~26Vdc | Blank: 8~26Vdc 5V: 5Vdc fixed |