

Product Information

VB

Manifold VB

For NJ / NJV / VL



Photo - valve block VB-020GA3 flow indicator NJVK1-020WM020

Characteristics

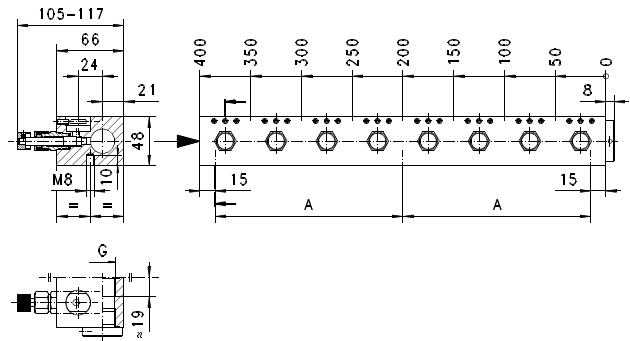
Manifold for single or multiple place systems and integrated needle valve for manual flow regulation.

Technical data

Nominal width	DN 15..20
Process connection	female thread G 3/4, optional G 1/2
Number of measurement points	1..8
Pressure resistance	NJ /NJV PN 25 bar VL PN 10 bar
Medium temperature	NJ /NJV -20..+110 °C VL -20..+100 °C
Ambient temperature	-20..+70 °C
Materials medium-contact	aluminium anodised, NBR, CW614N nickelled, CW614N
Weight	see table "Dimensions and weights"

Dimensions and weights

Number of measurement points	Types	Length (excluding stoppers)	Number of fixing holes	A	Weight kg
1	VB-020GA1	50	2	-	0.6
2	VB-020GA2	100	2	-	1.1
3	VB-020GA3	150	2	-	1.6
4	VB-020GA4	200	2	-	2.1
5	VB-020GA5	250	2	-	2.4
6	VB-020GA6	300	3	135	3.0
7	VB-020GA7	350	3	160	3.4
8	VB-020GA8	400	3	185	3.8



Ordering code

1. 2. 3. 4.
VB - **G**

○=Option

1. Nominal width	015 ○ DN 15 - G 1/2 020 ○ DN 20 - G 3/4
2. Process connection	G female thread
3. Connection material	A aluminium K ○ stainless steel (1.4305) M ○ brass (CW614N nickelled)
4. Number of measurement points	1 1 2 2 3 3 4 4 5 5 6 6 7 7 8 8