

**Product Information**

**UBX-032EM / EK**

**Flow monitor UBX**

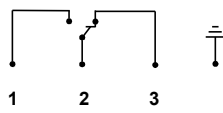
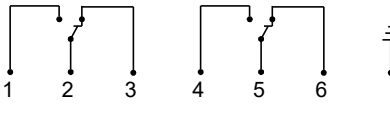


- Suitable for nominal pipe sizes DN 65, DN 80 und DN 100 (further pipe sizes on request)
- Micro switch with gold contact
- Process connection with oval flange
- For temperature range -40 °C up to +140 °C

**Characteristics**

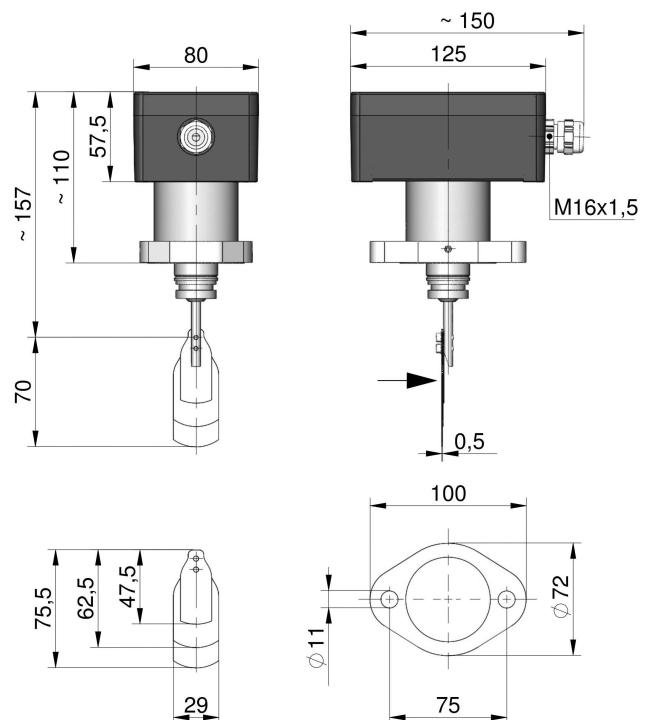
The devices work via the principle of a bellow-supported paddle which triggers directly a microswitch in case of flow or no flow.

**Technical Data**

<b>Switch</b>	Micro switch
<b>Nominal diameter</b>	DN 65, DN 80, DN 100
<b>Process connection</b>	Oval flange
<b>Adjustment switch values</b> (for decreasing flow)	DN 65: 6.0 m³/h ± 2.0 m³/h with H <sub>2</sub> O DN 80: 10.5 m³/h ± 2.5 m³/h with H <sub>2</sub> O DN 100: 20.5 m³/h ± 3.0 m³/h with H <sub>2</sub> O Further switching values on request
<b>Q<sub>max.</sub></b> (recommended)	DN 65: 33 m³/h H <sub>2</sub> O DN 80: 45 m³/h H <sub>2</sub> O DN 100: 75 m³/h H <sub>2</sub> O (all values for v = about 2 m/s)
<b>Pressure rate</b>	PN 16
<b>Medium temperature</b>	-40...+140 °C (no superheated steam)
<b>Ambient temperature</b>	-40...+90 °C
<b>Media</b>	Water, mineral oil, silicone oil, ester oil
<b>Wiring diagram</b>	Single changeover contact (wiring 0.371-2)  Double changeover contact (wiring 0.409-1) 

<b>Switching voltage/Switching current</b>	max.	250 V AC/DC	A max. ohmic 6 A	A max. inductive 1,5 A
		125 V AC/DC	6 A	2 A
		24 V DC	6 A	5 A
		12 V DC	6 A	6 A
min.	4 V	A min. 1 mA		
		Protection class 2 – Safety insulation		
Ingress protection IP 65 / IP 67 (When using an approved connection cable)				
Electrical connection Cable gland M16x1,5 (for cable diam. 7...11 mm)				
Materials with medium contact		Brass version: CW614N vernickelt, 1.4305, 1.4310, 1.4541, FVMQ Oval flange: zinc plated steel	Stainless steel version 1.4305, 1.4310, 1.4541, FVMQ Oval flange: zinc plated steel	
Switch housing material		Die-cast aluminium		
Weight		1,3 kg		
Mounting position		Standard: horizontal flow; switching unit not recommended underneath; other installation positions are possible; the installation position affects the switching point and range.		

**Dimensions**



Paddle dimension and geometry are identical for DN 65; DN 80 and DN 100

**Attention! Process gasket not included in scope of supply**

**Product Information**

**Handling and operation**

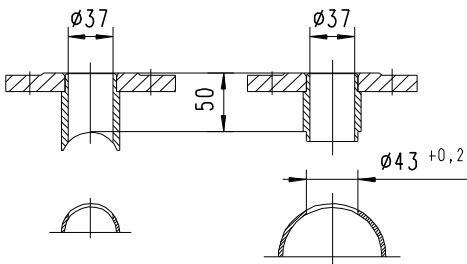
Installation and operating instructions can be found in the separate operating manual.

**Notes**

- Adjustment: the switching point is set at factory in a defined nominal pipe diameter with the values specified in the „Technical data“ table above. Different switching values on request. Adjustments for silicone oil or ester oil are measured in H<sub>2</sub>O due to their low viscosity. Switching values and Q-max.values for mineral oils depend on the viscosity and can deviate from the specified technical data.
- Switching points set at factory are secured by gluing and cannot be changed later.
- Paddle attachment secured by bonding.
- Include straight calming section of 10 x DN in inlet and outlet
- Provide a filter for contaminated media.
- It must be ensured that the values given for voltage, current, and power are not exceeded.
- The electrical details apply to ohmic loads. Capacitive and inductive loads must be operated using a protective circuit..

**Installation recommendation**

Use a tube with standard wall thickness as per DIN 2448.



Pipe dimensions acc. to Din 2448 used for calibration at factory. Deviating installation conditions have an influence to set adjustment-/switching values.

DN	pipe-outer-diam.	pipe wall thickness
65	76,1 mm	2,9 mm
80	88,9 mm	3,2 mm
100	114,3 mm	3,6 mm

**Ordering code**

UBX -  1.  2.  3.  4.

1. Process connection	
032E	Flange
2. Body material	
M	Brass
K	Stainless steel
3. Contacts	
S	Single changeover contact
D	Double changeover contact
4. For nominal pipe diameter	
065	DN 65
080	DN 80
100	DN 100
	Further pipe diameters on request

**Options**

- Electrical connections
  - plug DIN 43650-A
  - Harting plug
  - cable gland M 20 x 1,5 (opposite to flow direction)
- Optional temperature range: on request
- Further process connections on request

**Ordering information**

- Specify direction of flow, medium, pipe diameter and required switch point
- For oils, state viscosity or oil type and temperature (e.g. ISO VG 68 at 40°C). Possible switching values are determined individually.
- Adjustment of switchpoint is made in defined pipe size.