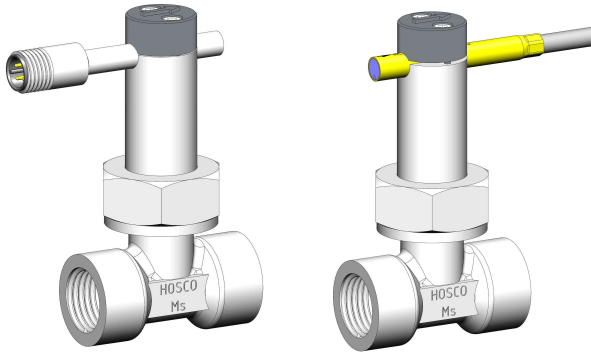


**Product Information**

**UR1-010..050GM / GK / AP**

**Flow Switch**  
**UR1-...GM / GK / AP**



- Low pressure loss
- Compact design
- Threaded connection

**Characteristics**

The devices function via the principle of a spring-supported paddle, and the magnetic triggering of a reed switch.

**Technical data**

<b>Switch</b>	reed switch	
<b>Nominal width</b>	DN 10..50	
<b>Process connections</b>	Brass stainless steel POM	female thread G3/8..G2 female thread G3/8..G2 male thread G1/2
<b>Switching range</b>	1.3..53 l/min	for details see table "Ranges"
<b>Q<sub>max.</sub></b>	to 150 l/min	
<b>Tolerance</b>	±15 % of full scale value	
<b>Pressure rating</b>	Housing brass Housing s.s. Housing POM	PN 25 PN 25 PN 10
<b>Medium temperature</b>	Brass version S.S. version with housing POM	-20..+110°C -20..+110°C -20..+ 80°C
<b>Ambient temperature</b>	-20..+70 °C	
<b>Media</b>	water (oils, gases and aggressive media available on request)	
<b>Electrical data</b>	see "UR1 brass switching unit"	
<b>Materials medium-contact</b>	<i>Brass construction:</i> CW713R nickelplated CW614N nickelplated 1.4310, 1.4301, hard ferrite, NBR	<i>Stainless steel construction:</i> 1.4305, 1.4571, 1.4310, 1.4310, hard ferrite PTFE- coated, FKM
	<i>Optional:</i> Housing made of POM G ½ male thread (PN 10)	
<b>Non-medium-contact materials</b>	see "UR1 brass switching unit"	
<b>Weight</b>	see table "Dimensions and weights"	
<b>Installation location</b>	Standard: horizontal inwards flow; switching unit not recommended underneath; other installation positions are possible; the installation position affects the switching point and switch range	

**UR1 Brass switching unit**

<b>Wiring</b>	normally open (n.o.) or normally closed (n.c.), no. 0.225 
<b>Switching voltage</b>	max. 230 V AC
<b>Switching current</b>	max. 1 A
<b>Switching capacity</b>	max. 50 VA
<b>Protection class</b>	1 - PE connection
<b>Ingress protection</b>	IP 65
<b>Electrical connection</b>	cabl 1.5 m, optionally for round plug connector M12x1, 4-pole
<b>Materials, non-medium-contact</b>	CW614N, nickelled, CW614N, NBR, POM

**Ranges**

Details in the table correspond to horizontal inwards flow with decreasing flow rate.

G	DN	Switching range l/min H <sub>2</sub> O	Types	Q <sub>max.</sub> recommended
G 3/8	DN 10	2.5 - 3.5	UR.-010G.	10
G 1/2 male	DN 15	1.3 - 2.1	UR.-015AP	10
G 1/2	DN 15	4.0 - 4.5	UR.-015G.	20
G 3/4	DN 20	5.0 - 6.0	UR.-020G.	40
G 1	DN 25	9.5 - 11.5	UR.-025G.	60
G 1 1/4	DN 32	13.5 - 17.5	UR.-032G.	80
G 1 1/2	DN 40	30.0 - 38.0	UR.-040G.	100
G2	DN 50	42,0 - 53,0	UR.-050G.	150

Special ranges are available.

**Dimensions and weights**

G	Types	H	L	X	Weight kg
G 3/8	UR1-010GM	82	50	10	0.35
	UR1-010GK				0.40
G 1/2 male	UR1-015AP	50	60	12	0.15
	UR1-015GM				0.35
G 1/2	UR1-015GK	50	60	12	0.40
	UR1-015GM				0.35
G 3/4	UR1-020GM	83	50	12	0.35
	UR1-020GK				0.35
G 1	UR1-025GM	87	50	12	0.40
	UR1-025GK				0.45
G 1 1/4	UR1-032GM	91	50	12	0.45
	UR1-032GK				0.50
G 1 1/2	UR1-040GM	94	50	12	0.55
	UR1-040GK				0.65
G 2	UR1-050GM	103	50	12	0.80
	UR1-050GK				0.95

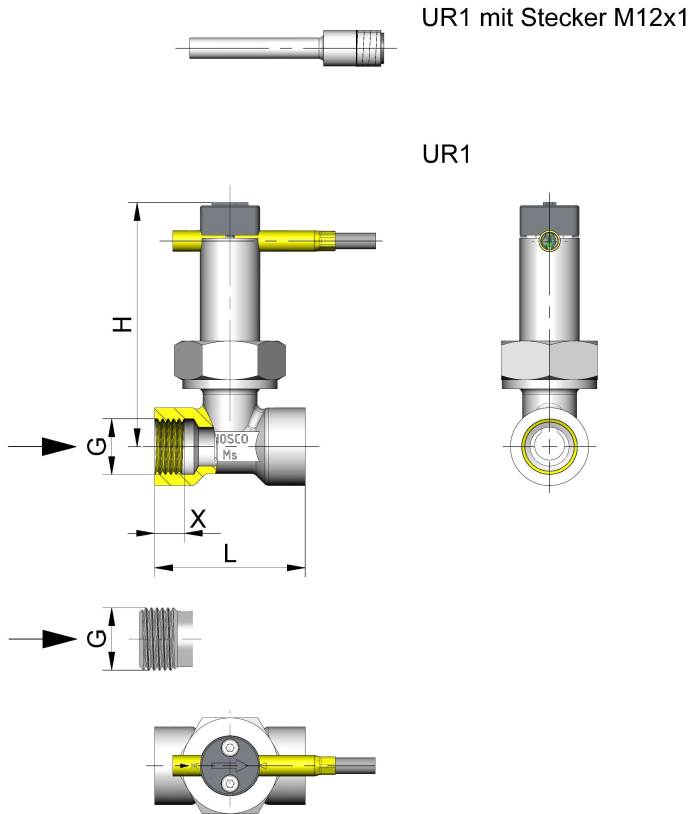
**Product Information**

**UR1-010..050GM / GK / AP**

**Ordering code**

UR -  -

○=Option



<b>1. Switching unit</b>				
1	brass			
<b>2. Nominal width</b>				
010	DN 10 - G 3/8	●	●	
015	DN 15 - G 1/2	●	●	
	DN 15 - G 1/2 male			●
020	DN 20 - G 3/4	●	●	
025	DN 25 - G 1	●	●	
032	DN 32 - G 1 1/4	●	●	
040	DN 40 - G 1 1/2	●	●	
050	DN 50 - G 2	●	●	
<b>3. Process connection</b>				
G	female thread	●	●	
A	male thread			●
<b>4. Connection material</b>				
M	brass			
K	stainless steel			
P	POM (PN 10)			
<b>5. Switching unit options</b>				
A	for switching unit ATEX A-U1.1 The switching head is a separate article, which needs to be ordered in addition.			
S	○ for round plug connector M12x1, 4-pole			

**Options**

- Switching ranges for oil or gas
- Special switching ranges/set points
- Soldered copper fitting
- round plug connector M12x1, 4-pole
- for media temperature up to 150°C

**Ordering information**

- Specify direction of flow, medium, and switching range
- For oils, state viscosity, temperature and designation (e.g. ISO VG 68) (enquire about range).
- For gases, state pressure (relative or absolute), temperature and medium (e.g. air) (ranges on request).

**Handling and operation**

**Note**

- Include straight calming section of 5 x DN in inlet and outlet
- Include a filter if the media are dirty (use magnetic filter for ferritic particles).
- It must be ensured that the values given for voltage, current, and power are not exceeded.
- When switched on, a load must be connected in series.
- The electrical details apply to ohmic loads. Capacitive, inductive and lamp loads must be operated using a protective circuit.

**Adjustment**

Loosen the screws on the clamping plate, move the contact tube to the required position, tighten the screws again.  
 "Normally closed" or "normally open" acc. to the technical data table.

