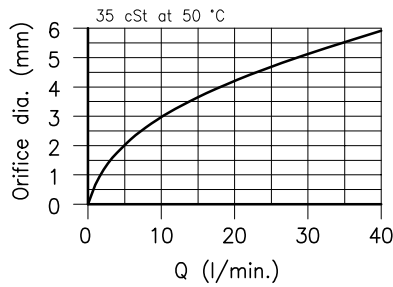
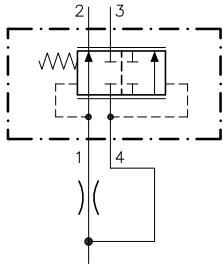


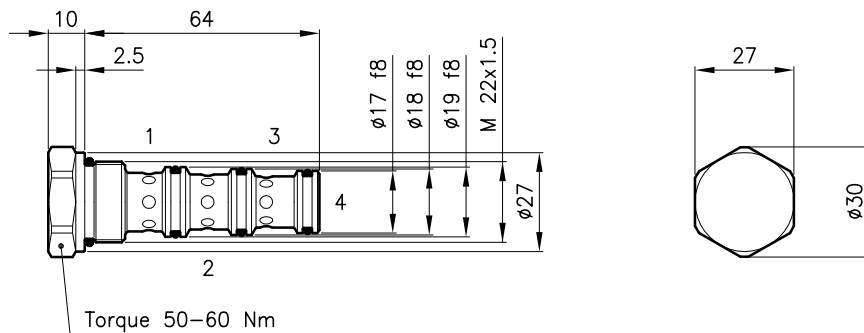
**Technical features**

The ELP 30/Q4 cartridge is a pressure compensated element, intended for use with a remote fixed or variable orifice to yield a three way type, pressure compensated, flow regulating hydraulic valve with priority flow.



Cavity (For dimensions see catalogue 17.000)	S 30/4
Max. flow (l/min.)	40
Max. pressure (bar)	350
Ratio between areas A1/A3	1:1
Min. pressure difference (bar)	5
Fluid viscosity range (cSt)	2.8 - 380
Fluid temperature range (°C)	-20 +80
Max. orifice diameter (mm)	6.5
Mass (kg)	0.150
Hydraulic fluid; mineral oil HM and HV	ISO 6074
Recommended filtration; 19/15 ISO 4466 (25 μ absolutes)	
Standard seals in Polyurethane and Buna N	

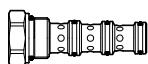
**Dimensions**



**Ordering informations**

**ELP 30/Q4**

ELP 30 = Valve type



Version

Q4 = pressure compensator

Codes:

ELP 30/Q4 36 011 107

External seals kit 90 620 105

ELP 30 valves can be assembled on standard bodies 30-C4 series; for dimensions see catalogue 16.011