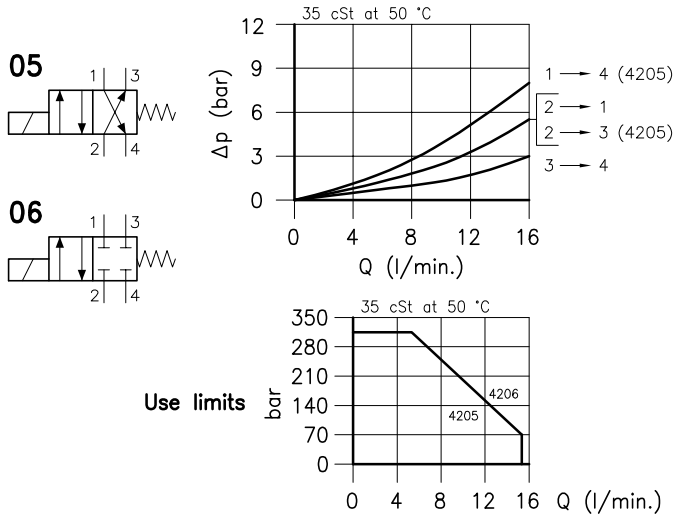
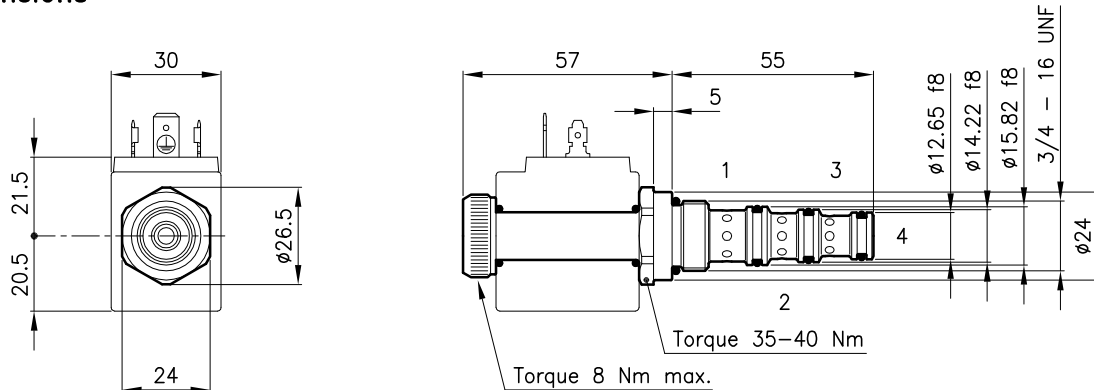


Technical features



| | |
|---|-------------------------|
| Cavity (For dimensions see catalogue 17.002) | S 28/4 |
| Max. flow (l/min.) | 15 |
| Max. pressure way 1-2-3 (bar) | 315 |
| Max. pressure way 4 (bar) | 210 |
| Max. leakage (cm ³ /min.) | 20 |
| Response time (ms) It change in function of circuit, pressure, flow and fluid viscosity. | 20 - 40 (Mean value) |
| Fluid viscosity range (cSt) | 2.8 - 380 |
| Fluid temperature range (°C) | -20 +80 |
| Mass (kg) | 0.160 |
| Hydraulic fluid; mineral oil HM and HV | ISO 6074 |
| Recommended filtration; 19/15 ISO 4466 (25 μ absolutes) | |
| Standard seals in Polyurethane and Buna N | |

Dimensions



Ordering informations

ETD 28/4205

ETD 28/42.. = Valve type

Centre closed



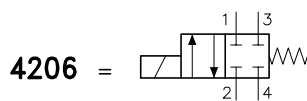
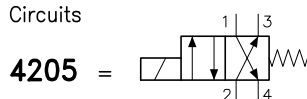
Codes:

ETD 28/4205 25 011 138

ETD 28/4206 25 011 139

External seals kit 90 620 119

Circuits



ETD 28/42.. valves can be assembled on standard bodies 28-C4 series; for dimensions see catalogue 16.011

On the ETD 28 valves must be assembled the Coils B28 series; for dimensions, features and codes see catalogue 09.902.