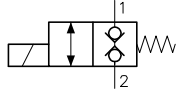
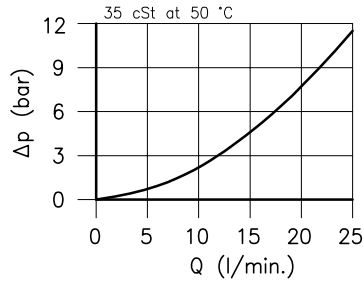
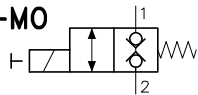


Technical features

02

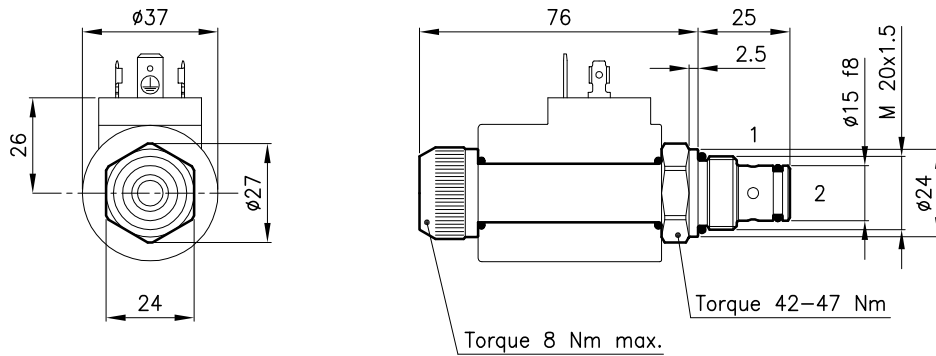


02-MO



Cavity (For dimensions see catalogue 17.001)	S 32/2
Max. flow (l/min.)	25
Max. pressure (bar)	315
Response time (ms) <small>It change in function of circuit, pressure, flow and fluid viscosity.</small>	30 - 60 (Mean value)
Fluid viscosity range (cSt)	2.8 - 380
Fluid temperature range (°C)	-20 +80
Mass (kg)	0.200
Hydraulic fluid; mineral oil HM and HV	ISO 6074
Recommended filtration; 19/15 ISO 4466 (25 μ absolutes)	
Standard seals in Polyurethane and Buna N	

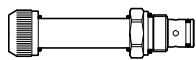
Dimensions



Ordering informations

ECD 32-B/2202-MO

ECD 32/22.. = Valve type



Cavity type:

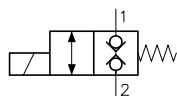
B = for cavity S 32/2B

P = for cavity S 32/2P

(see catalogue 17.001)

Circuits

2202 =



MO = Manual override
(Omit if not request)

Codes:

ECD 32-B/2202 35 011 169

ECD 32-B/2202-MO 35 011 128

ECD 32-P/2202 35 011 116

ECD 32-P/2202-MO 35 011 137

External seals kit (B) 90 620 114

External seals kit (P) 90 620 115

On the ECD 32 valves must be assembled the Coils B30 series; for dimensions, features and codes see catalogues 09.900 and 09.901.