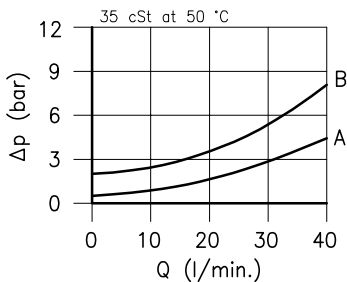
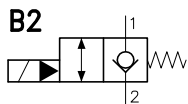
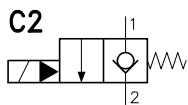


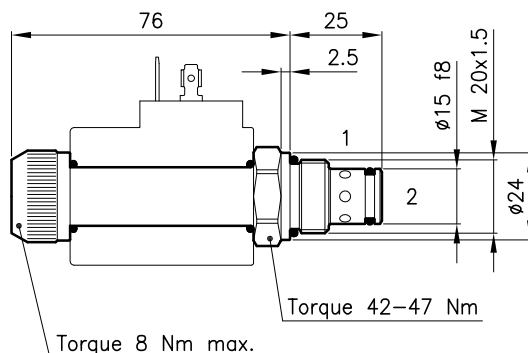
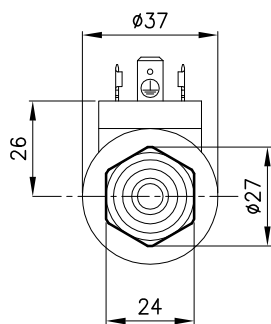
Technical features



	22C2	22B2
1 → 2 De-en.	not allowed	not allowed
2 → 1 De-en.	curve B	curve B
1 → 2 Energ.	curve A	curve A
2 → 1 Energ.	not allowed	curve A

Cavity (For dimensions see catalogue 17.001)	S 32/2
Max. flow (l/min.)	40
Max. pressure (bar)	350
Response time (ms) <i>It change in function of circuit, pressure, flow and fluid viscosity.</i>	80 - 120 (Mean value)
Fluid viscosity range (cSt)	2.8 - 380
Fluid temperature range (°C)	-20 +80
Mass (kg)	0.190
Hydraulic flow; mineral oil HM and HV	ISO 6074
Recommended filtration; 19/15 ISO 4466 (25 μ absolutes)	
Standard seals in Polyurethane and Buna N	

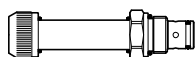
Dimensions



Ordering informations

EPP 32-B/22C2

EPP 32/22.. = Valve type



Cavity type:

B = for cavity S 32/2B

P = for cavity S 32/2P

(see catalogue 17.001)

On the EPP 32 valves must be assembled the Coils B30 series; for dimensions, features and codes see catalogues 09.900 and 09.901.

Codes:

EPP 32-B/22C2	35 011 167
EPP 32-B/22B2	35 011 168
EPP 32-P/22C2	35 011 122
EPP 32-P/22B2	35 011 155
External seals kit (B)	90 620 114
External seals kit (P)	90 620 115

Circuits

