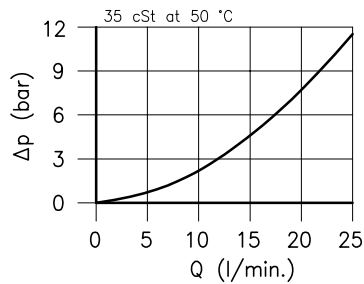
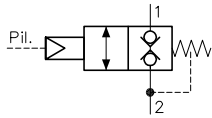


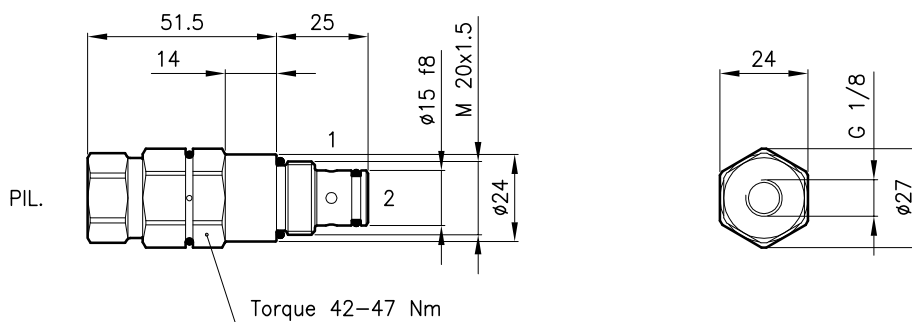
**Technical features**



Cavity (For dimensions see catalogue 17.001)	S 32/2P
Max. flow (l/min.)	25
Max. pressure (bar)	315
Pilot pressure (min.) (bar)	2.5 - 4.5
Fluid viscosity range (cSt)	2.8 - 380
Fluid temperature range (°C)	-20 +80
Mass (kg)	0.160
Hydraulic fluid; mineral oil HM and HV	ISO 6074
Recommended filtration; 19/15 ISO 4466 (25 μ absolutes)	
Standard seals in Polyurethane and Buna N	

**Dimensions**

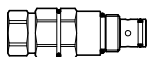
Pressure of chamber 2 influences the necessary pilot pressure for valve's drive (pilot ratio 4:1).



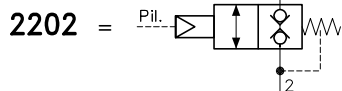
**Ordering informations**

**OCD 32/2202-PN**

**OCD 32** = Valve type



Circuit



PNEUMATIC Pilot = 2.5 - 4.5 bar

Codes:

OCD 32/2202-PN 32 011 173

External seals kit (P) 90 620 115