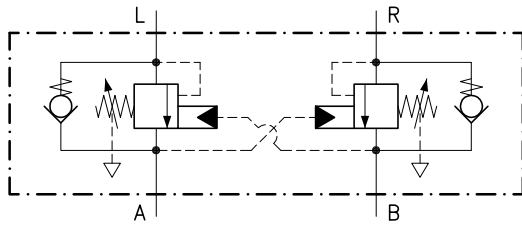
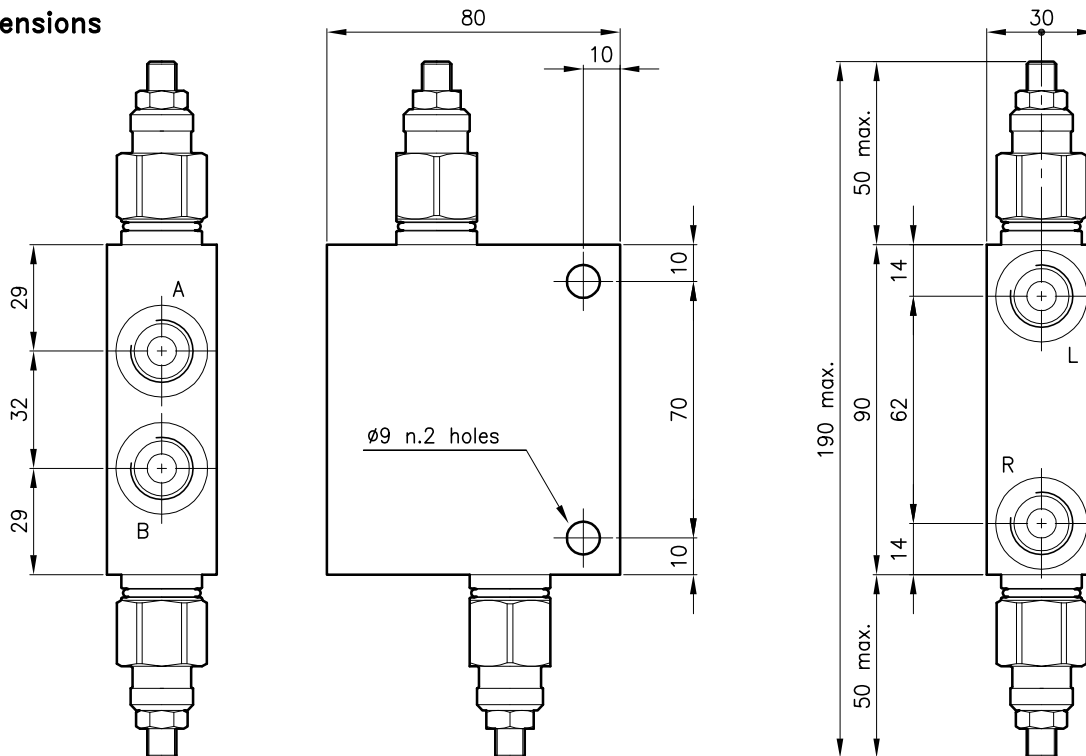


Technical features



Valve	(For features see catalogue 07.090)	CMB 20
Max. flow	(l/min.)	20
Max. system pressure	(bar)	270
Max. setting pressure	(bar)	320
Pilot ratio		3.75:1
Fluid viscosity range	(cSt)	2.8 - 380
Fluid temperature range	(°C)	-20 +80
Mass	(kg)	0.900

Dimensions



Ordering informations

CMB 20/D-N-CSL 25-B06

CMB 20 = Valve type

Standard springs

Type Setting range

U = 25 - 125 bar

D = 50 - 205 bar

T = 105 - 320 bar

Factory set

70 bar

140 bar

280 bar

Adjustment type

N = Standard adjustment



Version

Standard ports

B05 = G 1/4 ISO 228

B06 = G 3/8 ISO 228

Codes:

CMB 20/U-N-CSL 25-B05 24 011 108

CMB 20/D-N-CSL 25-B05 24 011 109

CMB 20/T-N-CSL 25-B05 24 011 110

CMB 20/U-N-CSL 25-B06 24 011 111

CMB 20/D-N-CSL 25-B06 24 011 112

CMB 20/T-N-CSL 25-B06 24 011 113

Only bodies code:

Body type 20-CSL 25-B05 28 144 138

Body type 20-CSL 25-B06 28 144 139