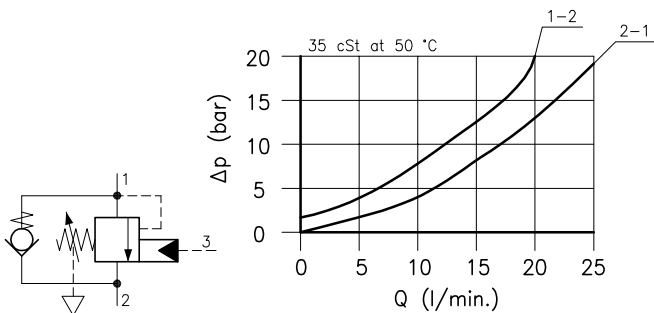


Technical features

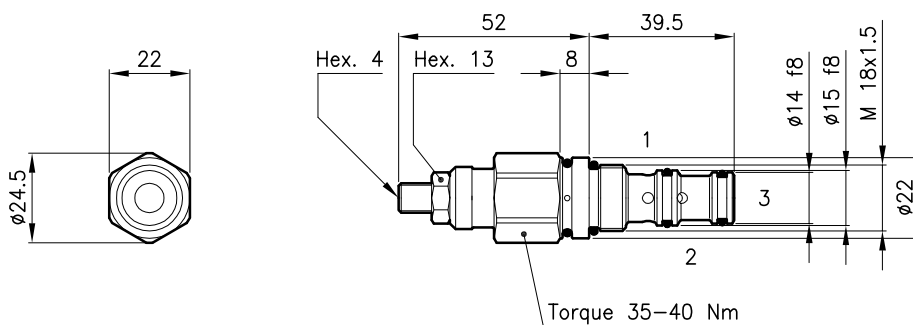


$$PP = \frac{SP - LP}{3.75}$$

PP = Pilot pressure
SP = Setting pressure
LP = Load induced pressure

Cavity (For dimensions see catalogue 17.000)	S 20/3
Max. flow (l/min.)	20
Max. system pressure (bar)	270
Max. setting pressure (bar)	320
Pilot ratio	3.75:1
Fluid viscosity range (cSt)	2.8 - 380
Fluid temperature range (°C)	-20 +80
Mass (kg)	0.170
Cracking pressure 95% of setting value	
Reseat pressure 75% of setting value	
Standard setting obtained with 1 l/min.	
Hydraulic fluid; mineral oil HM and HV ISO 6074	
Recommended filtration; 19/15 ISO 4466 (25 μ absolutes)	
Standard seals in Polyurethane and Buna N	

Dimensions



Ordering informations

CMB 20/T-N

CMB 20 = Valve type



Standard springs

Type	Setting range	Factory set
U	25 - 125 bar	70 bar
D	50 - 205 bar	140 bar
T	105 - 320 bar	280 bar

Adjustment type

N = Standard adjustment



Codes:

CMB 20/U-N	24 011 105
CMB 20/D-N	24 011 106
CMB 20/T-N	24 011 107
External seals kit	90 620 101

CMB 20 valves can be assembled on standard bodies 20-C3 series; for dimensions see catalogue 16.010