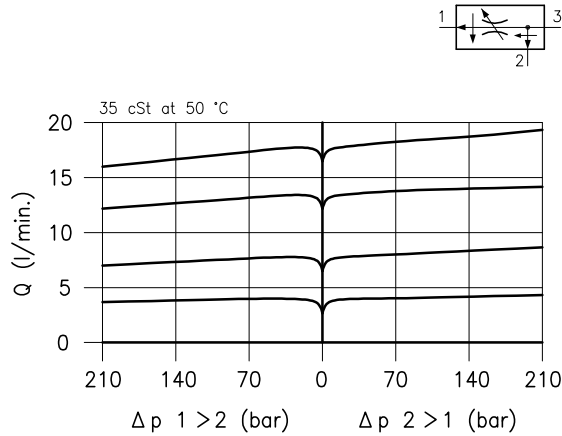
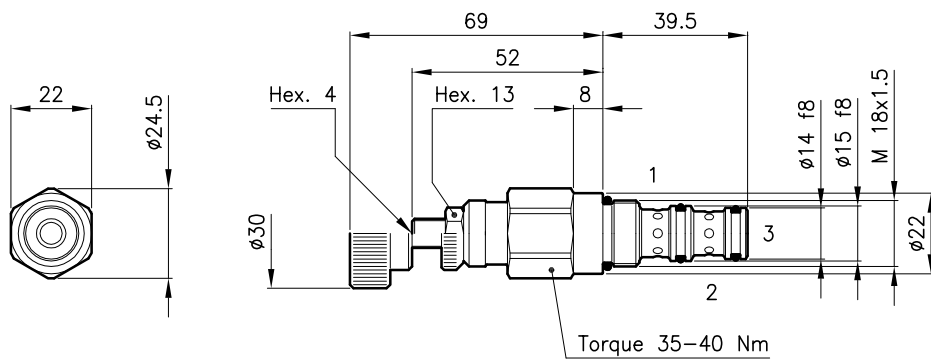


Technical features



Cavity (For dimensions see catalogue 17.000)	S 20/3	
Max. inlet flow (l/min.)	30	
Flow setting range ± 10% (l/min.)	type U	0.6 – 2.2
	type D	1.5 – 4.5
	type T	3.2 – 9.5
	type Q	6 – 18
Max. pressure (bar)	315	
Fluid viscosity range (cSt)	2.8 – 380	
Fluid temperature range (°C)	-20 +80	
Mass (Standard adjustment type N) (kg)	0.160	
Hydraulic fluid; mineral oil HM and HV	ISO 6074	
Recommended filtration; 19/15 ISO 4466 (25 μ absolutes)		
Standard seals in Polyurethane and Buna N		

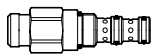
Dimensions



Ordering informations

DPC 20/D-N

RDC 20 = Valve type

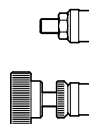


Flow setting range

- U** = 0.6 – 2.2 l/min
- D** = 1.5 – 4.5 l/min
- T** = 3.2 – 9.5 l/min
- Q** = 6 – 18 l/min

Adjustment type

- N** = Standard adjustment
- V** = Handknob adjustment



Codes:

DPC 20/U-N	23 011 104
DPC 20/D-N	23 011 105
DPC 20/T-N	23 011 106
DPC 20/Q-N	23 011 107
DPC 20/U-V	23 011 115
DPC 20/D-V	23 011 116
DPC 20/T-V	23 011 117
DPC 20/Q-V	23 011 118
External seals kit	90 620 101

DPC 20 valves can be assembled on standard bodies 20-C3 series; for dimensions see catalogue 16.010