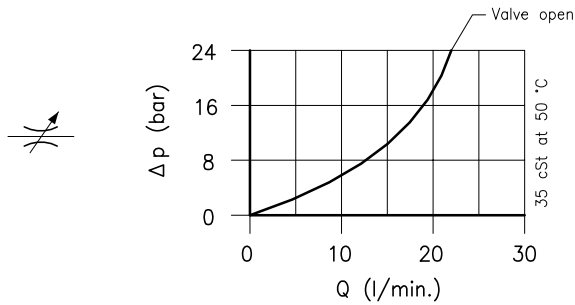


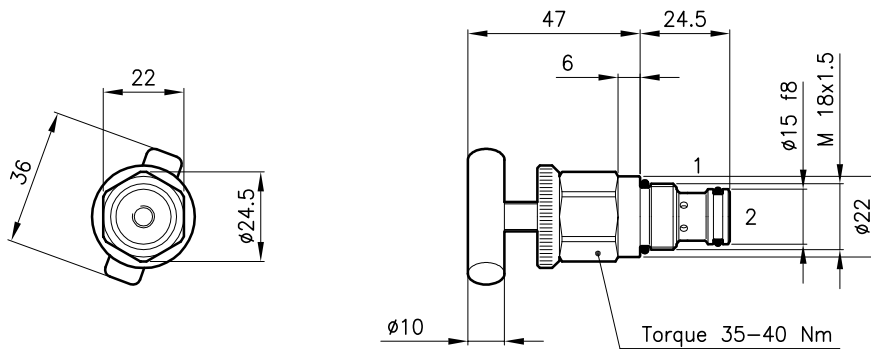
Technical features

The bidirectional needle valves RDB 20/B are a version for fine adjustment of narrow flow. Complete adjustment range is obtained in about six handknob turns till total valve shut off. The flow direction is indifferent.



Cavity (For dimensions see catalogue 17.000)	S 20/2
Max. adjusted flow (Δp 6 bar) (l/min.)	0 - 10
Max. adjusted flow (Δp 12 bar) (l/min.)	0 - 16
Max. adjusted flow (Δp 24 bar) (l/min.)	0 - 22
Max. pressure (bar)	315
Fluid viscosity range (cSt)	2.8 - 380
Fluid temperature range (°C)	-20 +80
Mass (kg)	0.115
Leakage when closed (cm ³ /1)	Total shut off
Hydraulic fluid; mineral oil HM and HV ISO 6074	
Recommended filtration; 19/15 ISO 4466 (25 μ absolutes)	
Standard seals in Polyurethane and Buna N	

Dimensions



Handknob and screw adjustment realized in stainless steel.
External exagon and climping lock ring realized in brass.

Ordering informations

RDB 20/B

RDB 20 = Valve type



Adjustment type

B = Handknob adjustment



Codes:

RDB 20/B 23 011 126

External seals kit 90 620 100

RDB 20/B valves can be assembled on standard bodies 20-LO series; for dimensions see catalogue 16.010