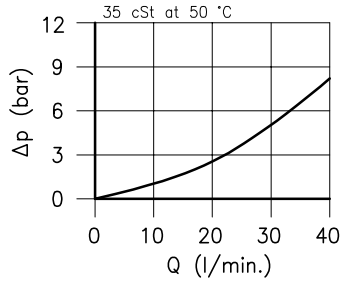
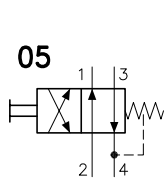


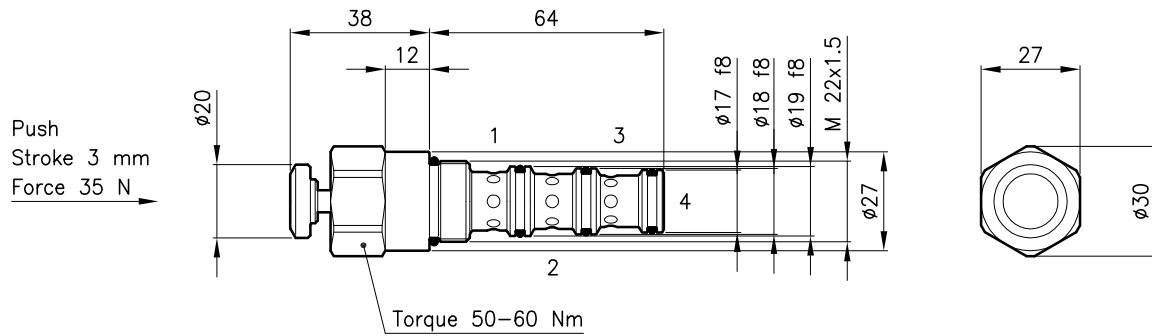
Technical features



Cavity	(For dimensions see catalogue 17.000)	S 30/4
Nominal flow	(l/min.)	30
Max. pressure	(bar)	350
Fluid viscosity range	(cSt)	2.8 - 380
Fluid temperature range	(°C)	-20 +80
Mass	(kg)	0.180
Hydraulic fluid; mineral oil HM and HV	ISO 6074	
Recommended filtration; 19/15 ISO 4466 (25 μ absolutes)		
Standard seals in Polyurethane and Buna N		

Pressure of chamber 4 influences the necessary force for valve's drive.

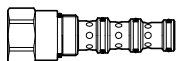
Dimensions



Ordering informations

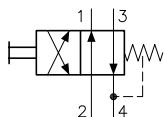
VDT 30/4205-PS

VDT 30 = Valve type



Circuits

4205 =



Manual control type

PS = Push type spring return



Codes:

VDT 30/4205-PS 32 011 198

External seals kit 90 620 105

VDT 30/42.. valves can be assembled on standard bodies 30-C4 series; for dimensions see catalogue 16.011