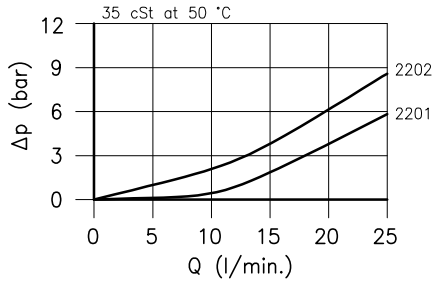
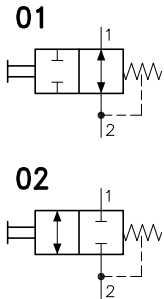


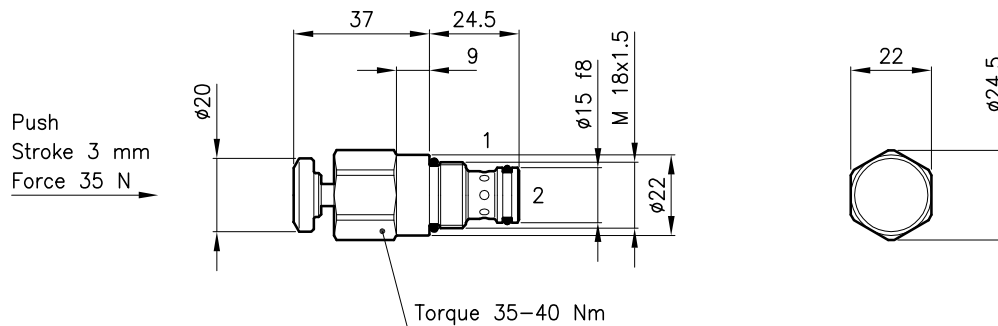
**Technical features**



|   |                                       |           |
|---|---------------------------------------|-----------|
| Cavity  | (For dimensions see catalogue 17.000) | S 20/2    |
| Nominal flow  | (l/min.)                              | 20        |
| Max. pressure   | (bar)                                 | 350       |
| Fluid viscosity range                                   | (cSt)                                 | 2.8 - 380 |
| Fluid temperature range                                 | (°C)                                  | -20 +80   |
| Mass  | (kg)                                  | 0.160     |
| Hydraulic fluid; mineral oil HM and HV                  | ISO 6074                              |           |
| Recommended filtration; 19/15 ISO 4466 (25 μ absolutes) |                                       |           |
| Standard seals in Polyurethane and Buna N               |                                       |           |

Pressure of chamber 2 influences the necessary force for valve's drive.

**Dimensions**

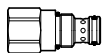


**Ordering informations**

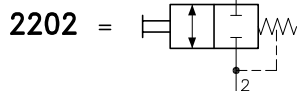
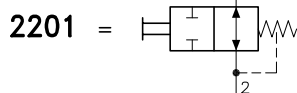
**VDT 20/2201-PS**

Circuits

**VDT 20** = Valve type



Circuits



Manual control type

**PS** = Push type spring return

Codes:

VDT 20/2201-PS      22 011 177

VDT 20/2202-PS      22 011 185

External seals kit      90 620 100

VDT 20 valves can be assembled on standard bodies 20-LO series; for dimensions see catalogue 16.010