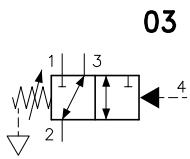
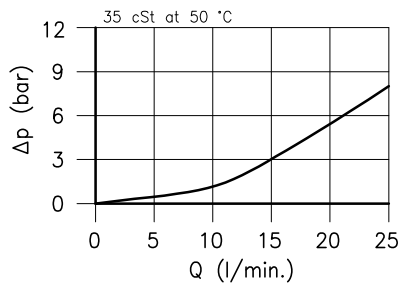


Technical features

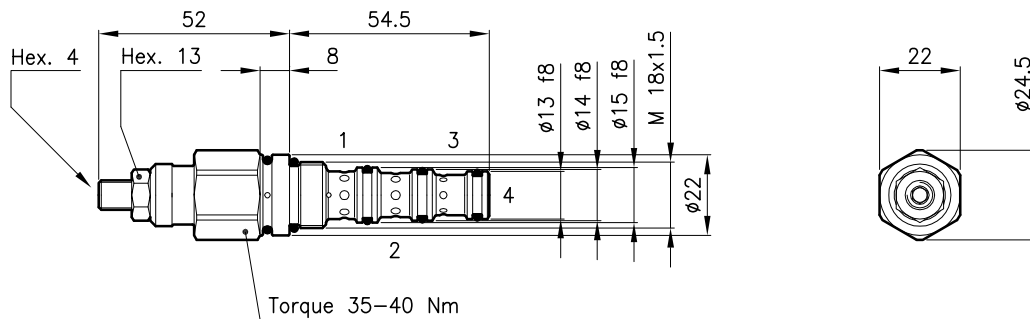


03



Cavity	(For dimensions see catalogue 17.000)	S 20/4
Nominal flow	(l/min.)	20
Max. pressure	(bar)	350
Fluid viscosity range	(cSt)	2.8 - 380
Fluid temperature range	(°C)	-20 +80
Mass	(kg)	0.190
Hydraulic fluid; mineral oil HM and HV	ISO 6074	
Recommended filtration; 19/15 ISO 4466 (25 μ absolutes)		
Standard seals in Polyurethane and Buna N		

Dimensions



Ordering informations

VDT 20/4203-D-N

VDT 20 = Valve type



Circuit



Standard springs

Type Setting range

U = 5 - 30 bar

D = 14 - 60 bar

T = 35 - 90 bar

Q = 50 - 140 bar

Adjustment type

N = Standard adjustment

Adjustment type IB for setting till 175 bar, is available on request.

Codes:

VDT 20/4203-U-N 22 011 108

VDT 20/4203-D-N 22 011 109

VDT 20/4203-T-N 22 011 110

VDT 20/4203-Q-N 22 011 180

External seals kit 90 620 102

VDT 20 valves can be assembled on standard bodies 20-C4 series; for dimensions see catalogue 16.011