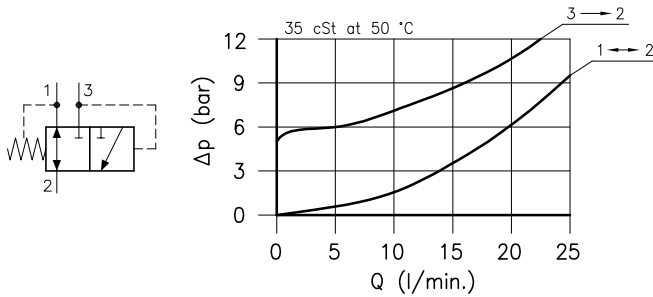
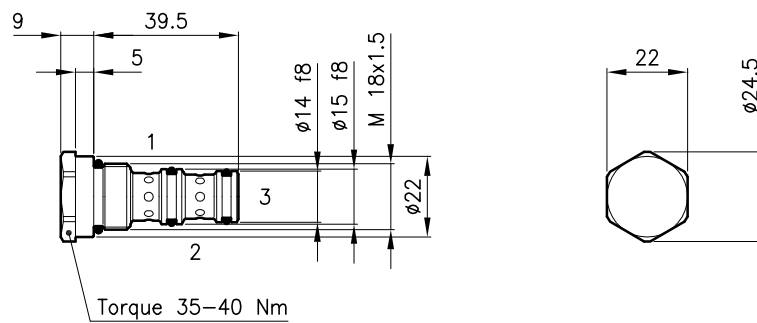


Technical features



Cavity	(For dimensions see catalogue 17.000)	S 20/3
Nominal flow	(l/min.)	20
Max. pressure	(bar)	350
Activation spool pressure	(bar)	6
Fluid viscosity range	(cSt)	2.8 - 380
Fluid temperature range	(°C)	-20 +80
Mass	(kg)	0.060
Hydraulic fluid; mineral oil HM and HV		ISO 6074
Recommended filtration; 19/15 ISO 4466 (25 μ absolutes)		
Standard seals in Polyurethane and Buna N		

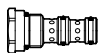
Dimensions



Ordering informations

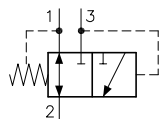
VDT 20/3203

VDT 20 = Valve type



Circuit

3203 =



Codes:

VDT 20/3203 22 011 113

External seals kit 90 620 101

VDT 20 valves can be assembled on standard bodies 20-C3 series; for dimensions see catalogue 16.010