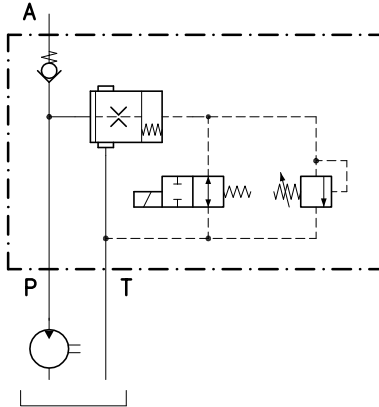


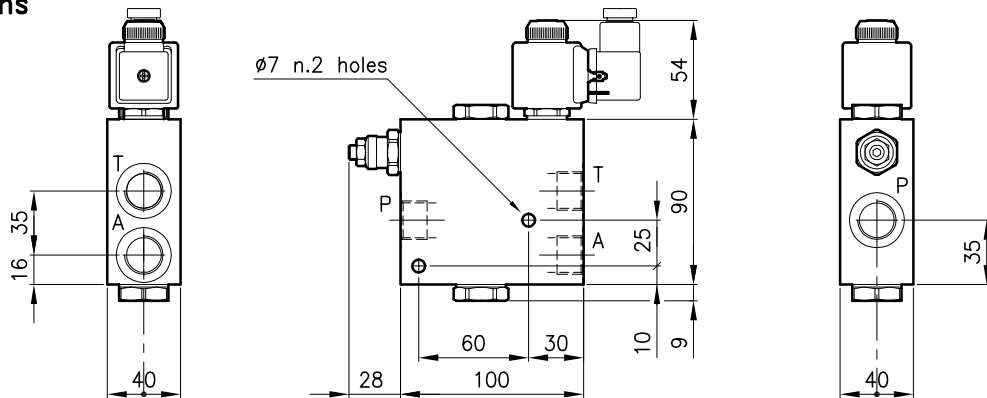
Technical features

They are used to unload a pump once a certain pressure has been reached or electrically.



Valves	(For features see catalogue 02.030)	LPS 20/20
	(For features see catalogue 11.010)	ELP 30/P1
	(For features see catalogue 05.060)	CAE 30/P
	(For features see catalogue 09.010)	ETD 20/2201
Max. flow	(l/min.)	60
Max. pressure in P	(bar)	420
Fluid viscosity range	(cSt)	2.8 - 380
Fluid temperature range	(°C)	-20 +80
Mass	(kg)	1.500
Hydraulic fluid; mineral oil HM and HV		ISO 6074
Recommended filtration; 19/15 ISO 4466 (25 μ absolutes)		
Standard seals in Polyurethane and Buna N		

Dimensions



Ordering informations

DPE 30/D-N-12C-18H-HA-B08

Valve type

Standard springs (LPS 20/20)

Type Setting range

D = 7 - 210 bar

Q = 105 - 420 bar

Adjustment type

N = Standard adjustment

V = Handknob adjustment

Voltage

12C = 12 Volt DC

24C = 24 Volt DC

24A = 24 Volt 50/60 Hz

110A = 110 Volt 50/60 Hz

220A = 220 Volt 50/60 Hz

Standard ports

B08 = G 1/2 ISO 228

Connector DIN 43650

HA = standard for coils C

HR = rectifier for coils A

Coil type

18H = standard 18 Watt

Only body code:

Body type 30-DPE-B08

38 144 206