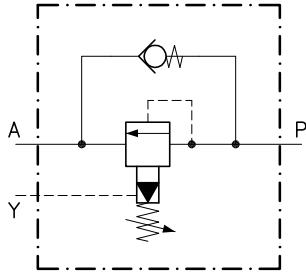


Technical features

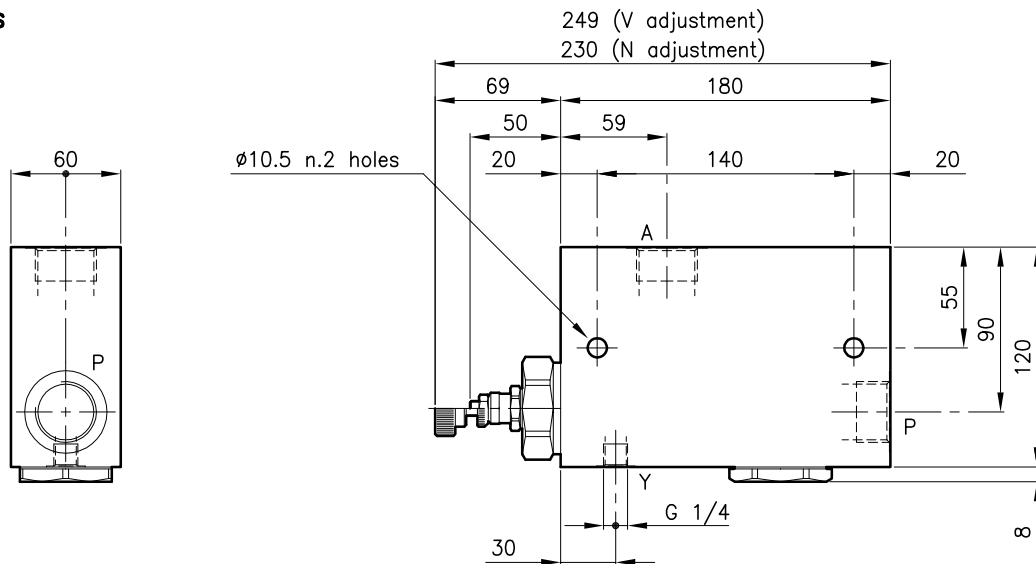
The line Y (drain line directly connected with the tank) makes the valve indifferent to port A pressure, keeping the setting features unchanged.

The annexed by-pass valve allows the reverse free-flow.



Valves	(For features see catalogue 04.060)	LPY 70
	(For features see catalogue 05.080)	CAE 70/P
Max. flow	(l/min.)	320
Max. pressure in P	(bar)	420
Max. pressure on A	(bar)	350
Fluid viscosity range	(cSt)	2.8 - 380
Fluid temperature range	(°C)	-20 +80
Mass	(kg)	4.800
Standard setting obtained with 10 l/min.		
Hydraulic fluid; mineral oil HM and HV ISO 6074		
Recommended filtration; 19/15 ISO 4466 (25 μ absolutes)		
Standard seals in Polyurethane and Buna N		

Dimensions



Ordering informations

LPY 70/D-N-CSL 10-B20

Valve type

Standard springs

Type Setting range

D = 10 - 210 bar

Q = 105 - 420 bar

Adjustment type

N = Standard adjustment

V = Handknob adjustment

Version

Standard ports

B16 = G 1 ISO 228

B20 = G 1.1/4 ISO 228

Codes:

LPY 70/D-N-CSL 10-B16 71 011 138

LPY 70/Q-N-CSL 10-B16 71 011 139

LPY 70/D-V-CSL 10-B16 71 011 140

LPY 70/Q-V-CSL 10-B16 71 011 141

LPY 70/D-N-CSL 10-B20 71 011 142

LPY 70/Q-N-CSL 10-B20 71 011 143

LPY 70/D-V-CSL 10-B20 71 011 144

LPY 70/Q-V-CSL 10-B20 71 011 145

Only body codes:

Body type 70-CSL 10Y-B16 78 144 112

Body type 70-CSL 10Y-B20 78 144 113