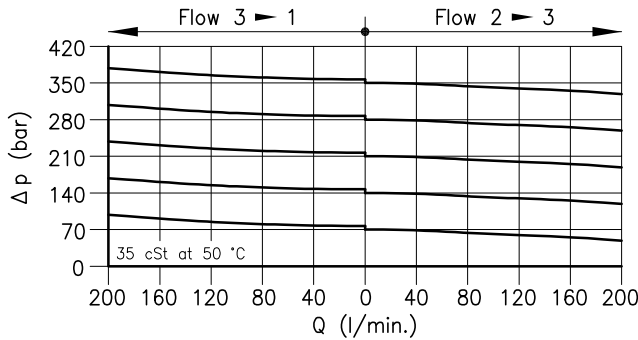
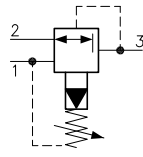
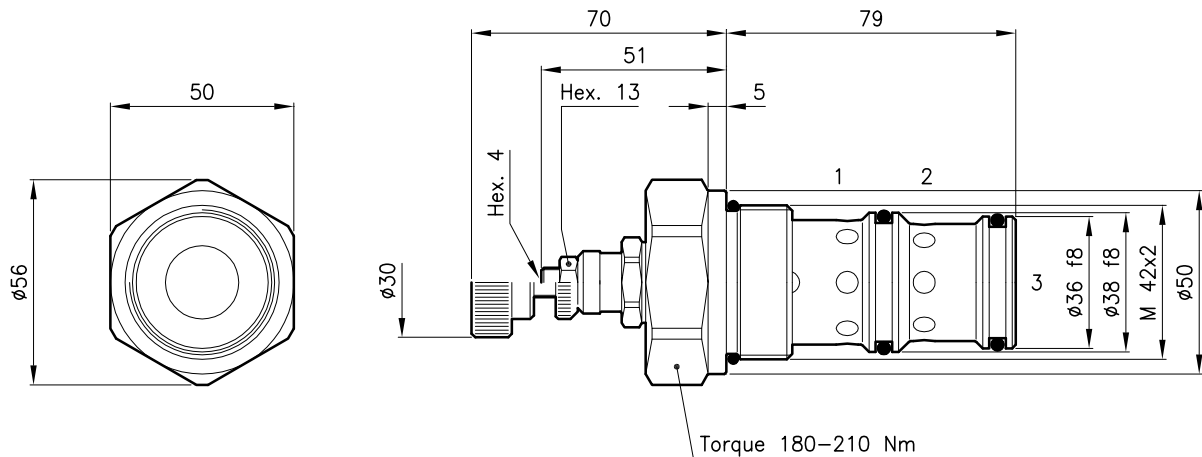


Technical features



Cavity (For dimensions see catalogue 17.000)	S 70/3
Max. flow (l/min.)	160
Max. inlet pressure (bar)	420
Pressure setting range (bar)	14 - 420
Max. drain (l/min.)	0.4 - 0.6
Fluid viscosity range (cSt)	2.8 - 380
Fluid temperature range (°C)	-20 +80
Mass (kg)	0.700
Standard setting obtained with 1 l/min.	
Hydraulic fluid; mineral oil HM and HV ISO 6074	
Recommended filtration; 19/15 ISO 4466 (25 μ absolutes)	
Standard seals in Polyurethane and Buna N	

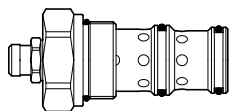
Dimensions



Ordering informations

RLP 70/D-N

RLP 70 = Valve type

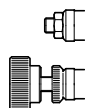


Standard spring

Type	Setting range	Factory set
D	= 14 - 210 bar	140 bar
Q	= 105 - 420 bar	315 bar

Adjustment type

- N** = Standard adjustment
- V** = Handknob adjustment



Codes:

RLP 70/D-N	71 011 108
RLP 70/Q-N	71 011 160
RLP 70/D-V	71 011 109
RLP 70/Q-V	71 011 161
External seals kit	90 620 120

RLP 70 valves can be assembled on standard bodies 70-C3 series; for dimensions see catalogue 11.010