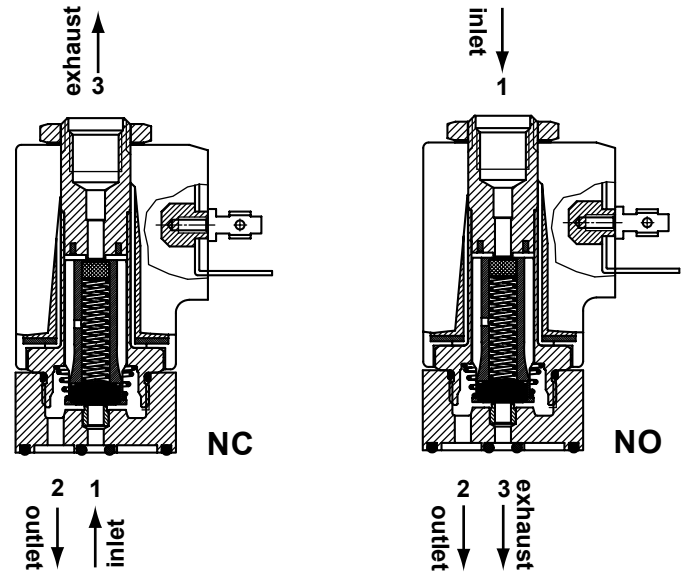


direct operated solenoid valves

coil 31 mm

| general information | |
|--------------------------|----------------------|
| ambient temperature | - 10°C to + 50°C |
| response time | 6 - 18 ms |
| mounting | in any position |
| standard seal materials* | NBR, FPM, EPDM* |
| dimensions | see page 2/4 |
| coil data | see page 2/4 |
| connector data | see page 2/4 |
| sub-base | see page 3/4 and 4/4 |

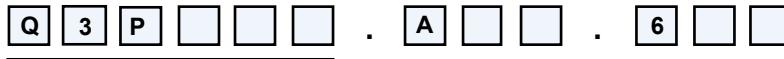
* other seal materials on request



| function | symbol | orif. mm | *Kv | pressure range (bar) | | | nominal power | | TABLE A main code | |
|-------------------------------------|--------|----------|-----|----------------------|---------|---------|---------------|---------|----------------------|---------------|
| | | | | min. | max. DC | max. AC | Watt DC | V.A. AC | | |
| | | | | | | | | inr. | | hol |
| 3/2 normally closed (NC) | | 0.8 | 0.5 | 0 | 30 | 30 | 10 | 21.5 | 13.5 | Q3P108 |
| | | 1.2 | 1.3 | 0 | 25 | 25 | 10 | 21.5 | 13.5 | Q3P112 |
| | | 1.6 | 1.7 | 0 | 15 | 15 | 10 | 21.5 | 13.5 | Q3P116 |
| | | 2.4 | 3.5 | 0 | 10 | 10 | 10 | 21.5 | 13.5 | Q3P124 |
| | | 3.0 | 4.5 | 0 | 6 | 6 | 10 | 21.5 | 13.5 | Q3P130 |
| 3/2 normally open (NO) | | 0.8 | 0.5 | 0 | 20 | 20 | 10 | 21.5 | 13.5 | Q3P208 |
| | | 1.2 | 1.1 | 0 | 15 | 15 | 10 | 21.5 | 13.5 | Q3P212 |
| | | 1.6 | 1.4 | 0 | 10 | 10 | 10 | 21.5 | 13.5 | Q3P216 |
| | | 2.4 | 3.0 | 0 | 6 | 6 | 10 | 21.5 | 13.5 | Q3P224 |
| | | 3.0 | 3.5 | 0 | 4.5 | 4.5 | 10 | 21.5 | 13.5 | Q3P230 |

*l/min. of water with ΔP of 1 bar

order code



| main code |
|--------------------------|
| see table A on this page |

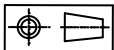
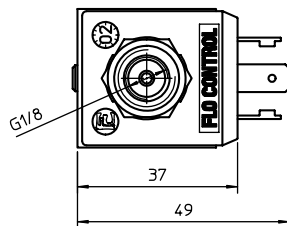
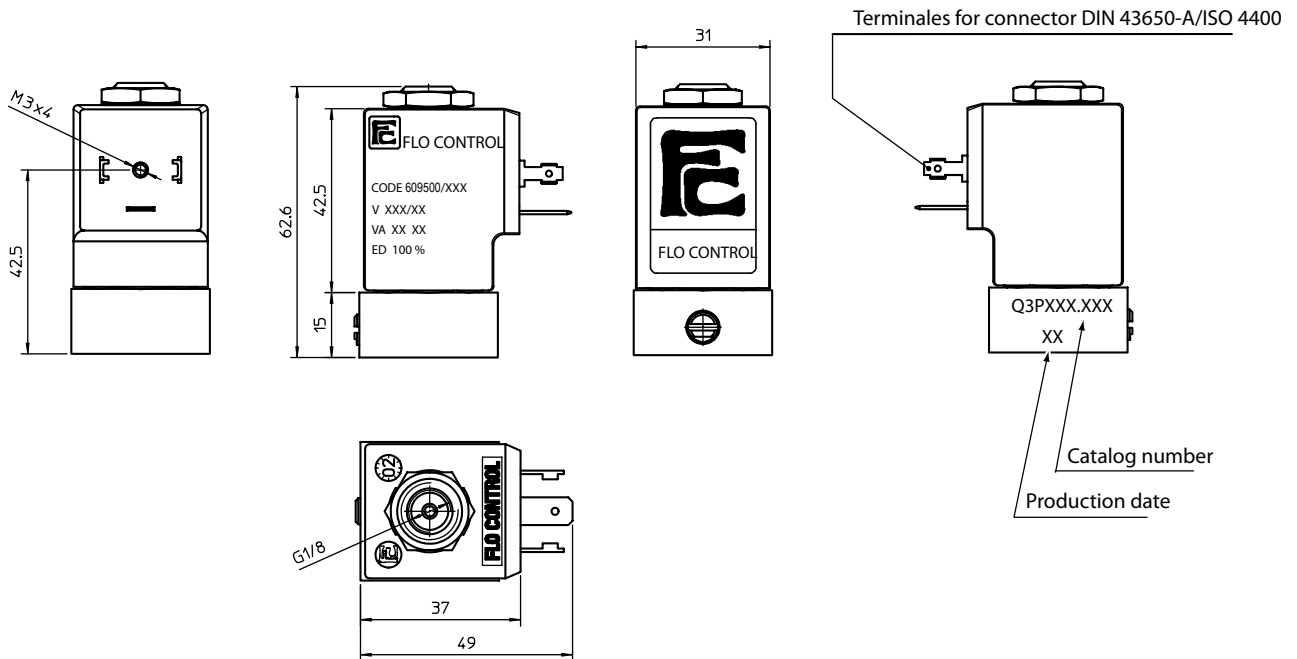
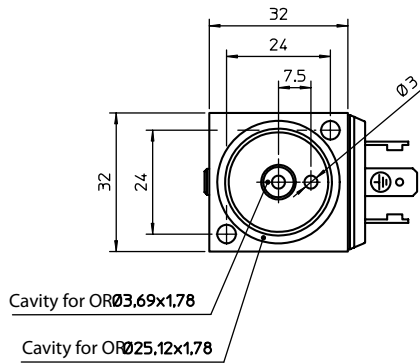
| seals | |
|-------|----------|
| code | material |
| B | NBR |
| V | FPM |
| E | EPDM |

| manual override | |
|-----------------|-------------|
| code | type |
| 0 | none |
| 1 | brass screw |
| 2 | palm button |
| 3 | push button |

| coil code |
|-------------------------|
| see table B on page 2/4 |

direct operated solenoid valves

coil 31 mm



| | |
|---------------|-------|
| weight | 200 g |
|---------------|-------|

| coil code | TABLE B | | | |
|-----------|-----------|---------|---------|------|
| | *voltages | code | | |
| | | ~ 50 Hz | ~ 60 Hz | = DC |
| | 12 | - | - | 666 |
| | 24 | 611 | 644 | 671 |
| | 48 | 616 | - | 676 |
| | 110 | 621 | - | 681 |
| | 115 | - | 653 | - |
| | 220 | 631 | - | - |
| | 230 | 638 | 659 | - |
| | 380 | 640 | - | - |

| coil specification | |
|-----------------------|-------------------------------|
| wire insulation | class H180° C |
| encapsulation | class F155° C |
| encapsulation mat. | nylon |
| energising duration | 100% at +20° C ambient |
| voltage tolerance | - 10% +15% of nominal voltage |
| *power consumption | AC 13,5 VA - DC 10 Watt |
| electrical connection | DIN 43650/A (2P+ earth) |
| cable connection | Pg 9 (for cable dia. 6-8mm) |
| protection class | IP 65 (with connector) |

* other voltages and wattages on request

connector (not included, must be ordered separately)

| | |
|-------------|--------|
| code | Z10031 |
|-------------|--------|

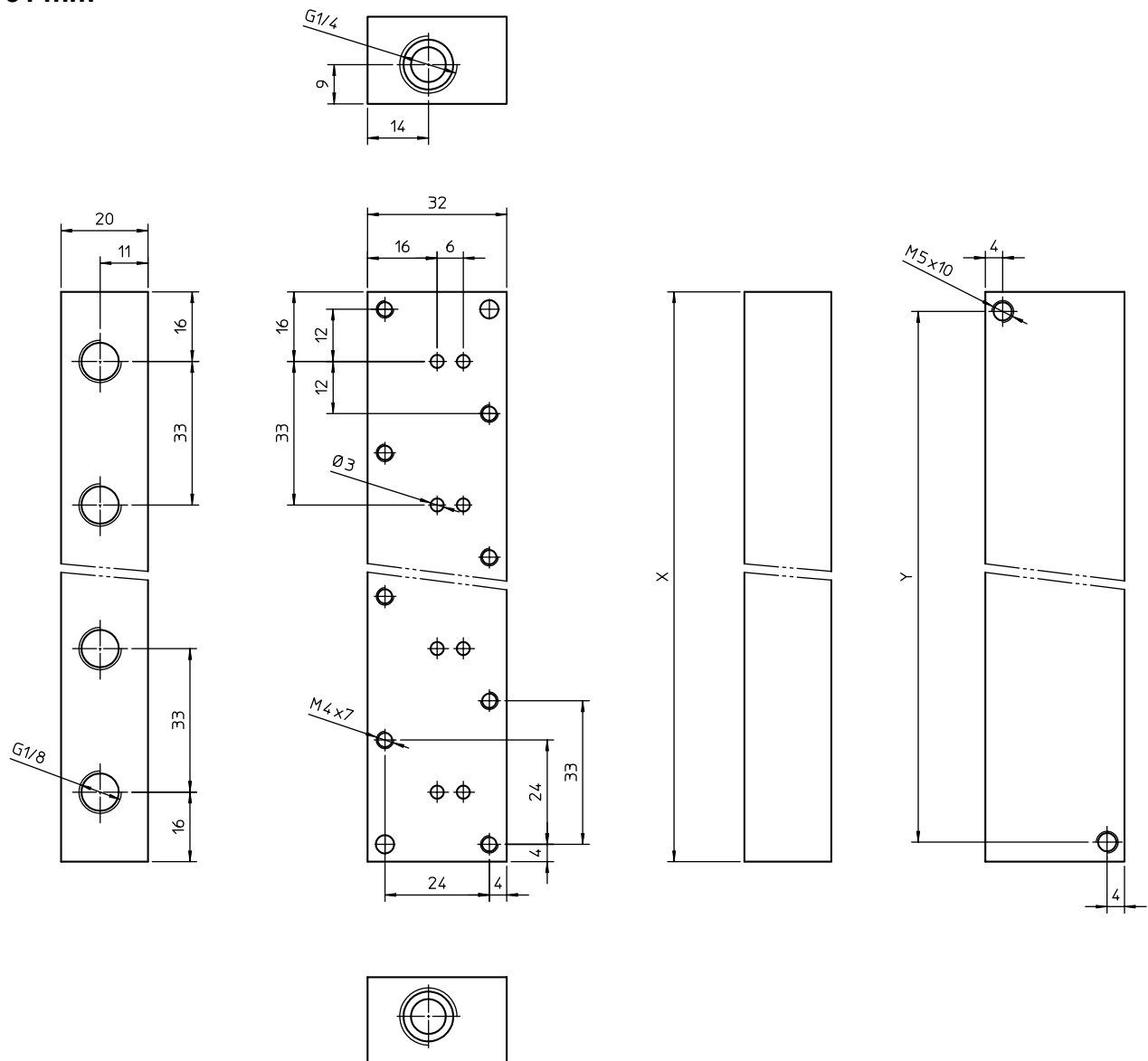
FLO CONTROL

Solenoid Valves



direct operated solenoid valves

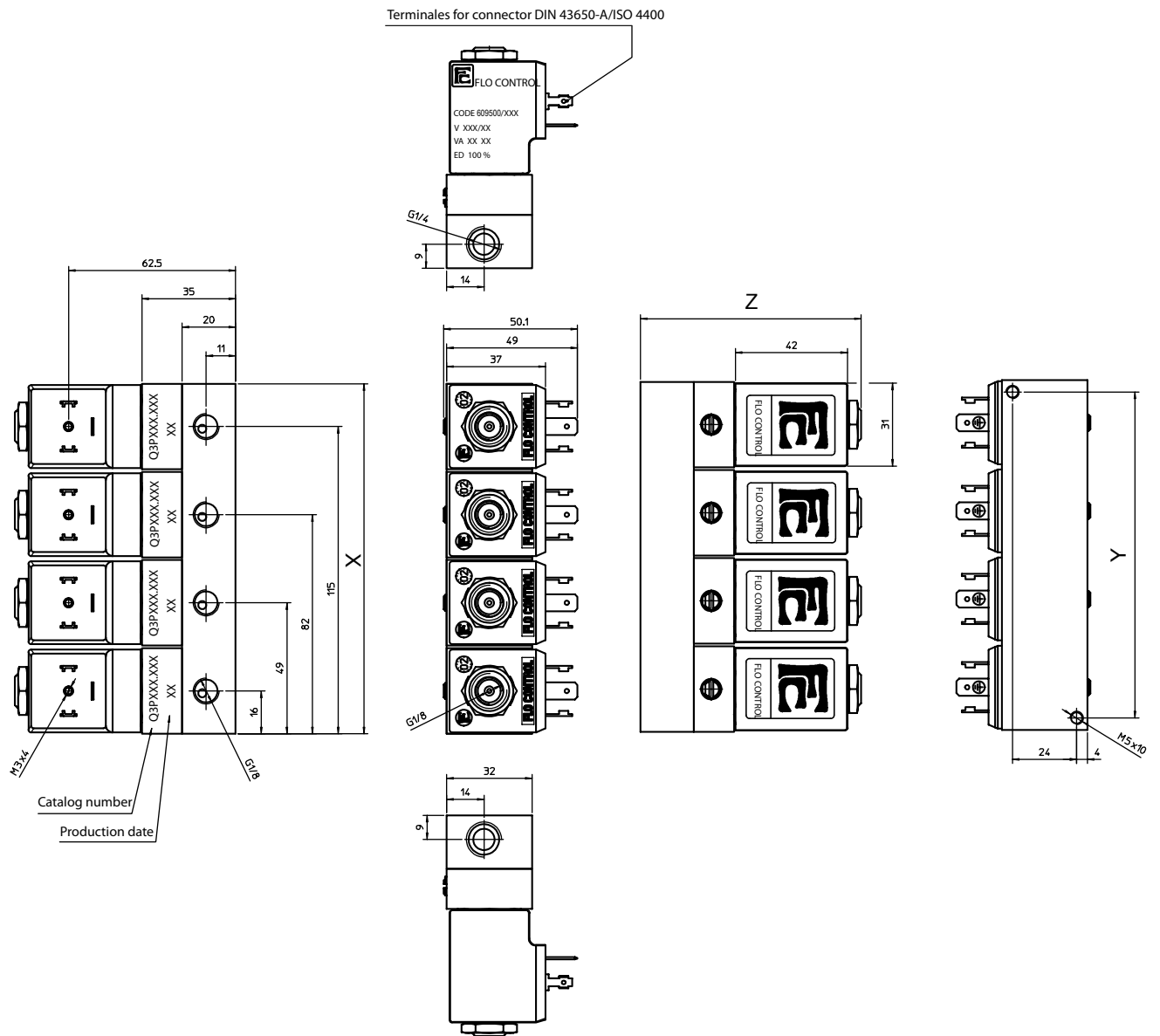
coil 31 mm



| order code | stations | X (mm) | Y (mm) | weight (g) |
|-------------|----------|--------|--------|------------|
| ZZ11.Q1.38A | 1 | 32 | 24 | 45 |
| ZZ11.Q2.38A | 2 | 65 | 57 | 100 |
| ZZ11.Q3.38A | 3 | 98 | 90 | 150 |
| ZZ11.Q4.38A | 4 | 131 | 123 | 205 |
| ZZ11.Q5.38A | 5 | 164 | 156 | 260 |
| ZZ11.Q6.38A | 6 | 197 | 189 | 310 |

-M4 screws order code Z11030 (two each valve station) must be ordered separately

direct operated solenoid valves
coil 31 mm



dimensions assembled manifolds

| order code | stations | X (mm) | Y (mm) | Z (mm) | weight (g) |
|--------------------------------------|----------|--------|--------|--------|------------|
| parts have to be ordered separately: | 1 | 32 | 24 | 82.6 | 245 |
| | 2 | 65 | 57 | 82.6 | 500 |
| valves see page 1/4 | 3 | 98 | 90 | 82.6 | 750 |
| bases see page 3/4 | 4 | 131 | 123 | 82.6 | 1005 |
| screws see page 3/4 | 5 | 164 | 156 | 82.6 | 1260 |
| | 6 | 197 | 189 | 82.6 | 1510 |