

ALM / ALP

IN-LINE PUMPS





TECHNICAL DATA

Flow rate (range): ALM 200, ALP 800: from 0,6 m³/h to 6 m³/h

ALM 500, ALP 2000: from 1,5 m³/h to 8,4 m³/h

Head: ALM 200, ALP 800: up to 7,7 m

ALM 500, ALP 2000: up to 21,1 m

Type of pumped liquid: clean, free from solid or abrasive substances, non-viscous, non-aggressive, non-crystallized

Glycol percentage (maximum): 50%

Liquid temperature (range): from -15°C to +120°C

Maximum room temperature: +40°C

Operation pressure (maximum): 10 bar / 1000 kPa

Flanging or threading: threading ALM 200, ALP 800: 1" 1/2 M GAS

threading ALM 500, ALP 2000: 2" M GAS

Motor efficiency class: single phase motors: >=120 W IE2

Three phase motors: <0,75 kW IE2

>=0,75 kW up to 75 kW IE3

Motor protection class: IPX5

Motor insulation class: F

Impeller material: technopolymer

Single phase power input: 230 V 50 Hz

Three phase power input: 3x230 V 50 Hz / 3x400 V 50 Hz

Revolution per minute: 1480 rpm for ALM - 2925 rpm for ALP

Type of installation: ALM 200, ALP 800: fixed in horizontal position

ALM 500, ALP 2000: fixed in horizontal or vertical position

Certification: ACS

APPLICATIONS

In-line pumps designed for conditioning, heating, water recirculation in the presence of solar thermal panels (solar collectors) and for the circulation of drinkable hot water in residential building service and commercial building service. All pumps have the ACS certificate for drinkable water.

CONSTRUCTION FEATURES OF THE PUMP

The ALM 200 and ALP 800 versions have a pump body and motor support in bronze, while the ALM 500 and ALP 2000 versions have a cast iron pump body. Intake and outlet are threaded. Technopolymer impeller, silicon carbide mechanical seal.

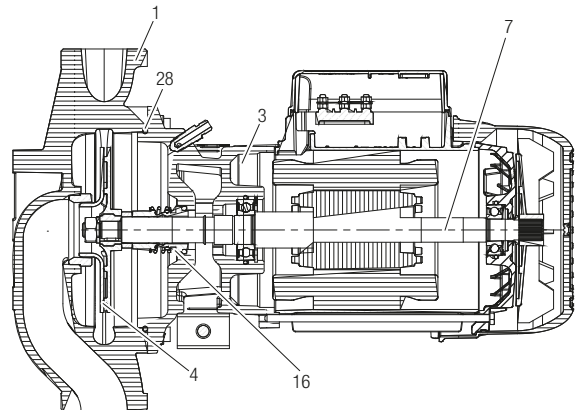
CONSTRUCTION FEATURES OF THE MOTOR

Four pole asynchronous motor for the ALM version, two pole asynchronous motor for the ALP versions. Motor shaft in AISI 303 stainless steel, mounted on ball bearings. Thermo-amperometric protection and capacitor incorporated in the single-phase version. The user is responsible for the protection of three-phase version.

MATERIALS

N.	PARTS*	MATERIALS	MODELS
1	PUMP BODY	BRONZE G Cu Sn5 Zn5 Pb5 UNI 7013/8 ^a -72	ALM 200 - ALP 800
		CAST IRON 250 UNI ISO 185	ALM 500 - ALP 2000
3	SUPPORT	BRONZE G Cu Sn5 Zn5 Pb5 UNI 7013/8 ^a -72	ALM 200 - ALP 800
		CAST IRON 250 UNI ISO 185	ALM 500 - ALP 2000
4	IMPELLER	TECHNOPOLYMER	
7	SHAFT WITH ROTOR	AISI 316 STAINLESS STEEL	
16	MECHANICAL SEAL	SILICON CARBIDE / SILICON CARBIDE	
28	OR RING	EPDM RUBBER	

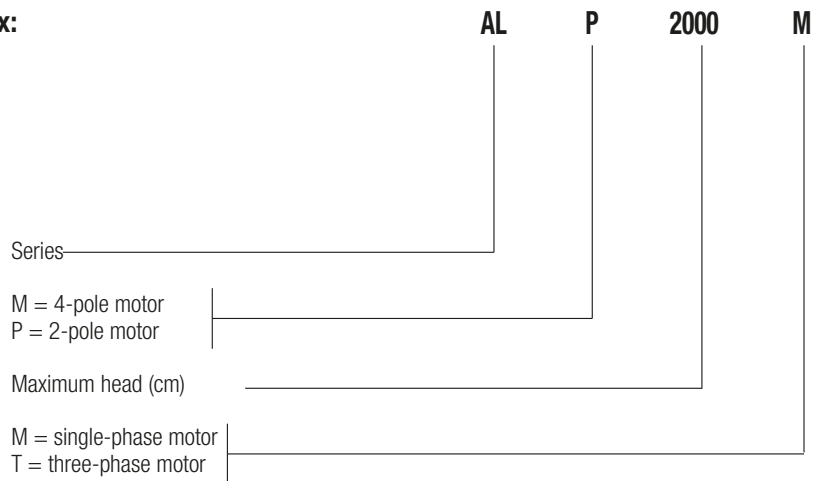
* In contact with the liquid



ALM / ALP

IN-LINE PUMPS

– Denomination index:
(example)



Fixed horizontal installation for ALM 200 and ALP 800; both horizontal and vertical installation for ALM 500 and ALP 2000.



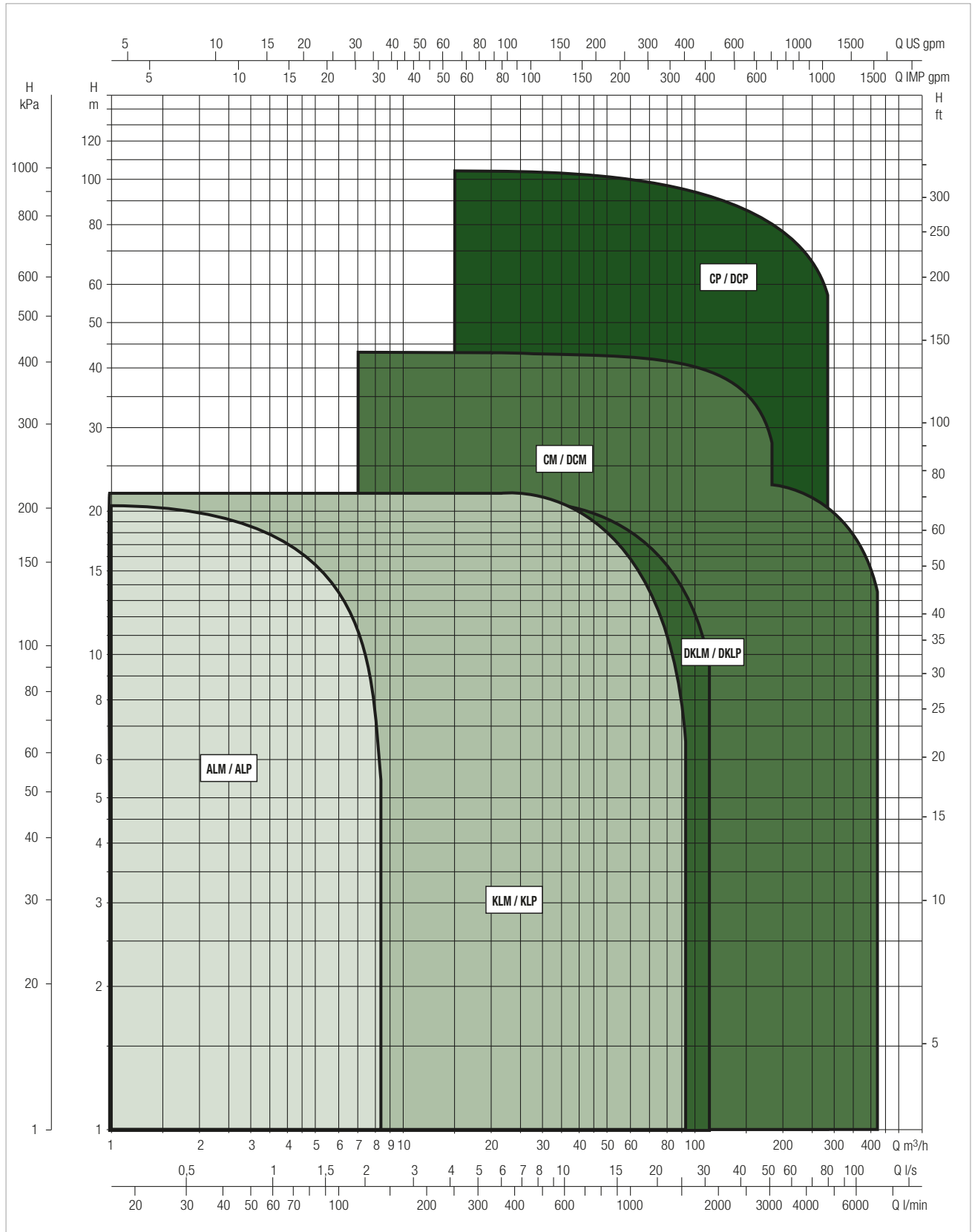
IN-LINE PUMPS

FOR CIRCULATION SYSTEMS

PERFORMANCE RANGE

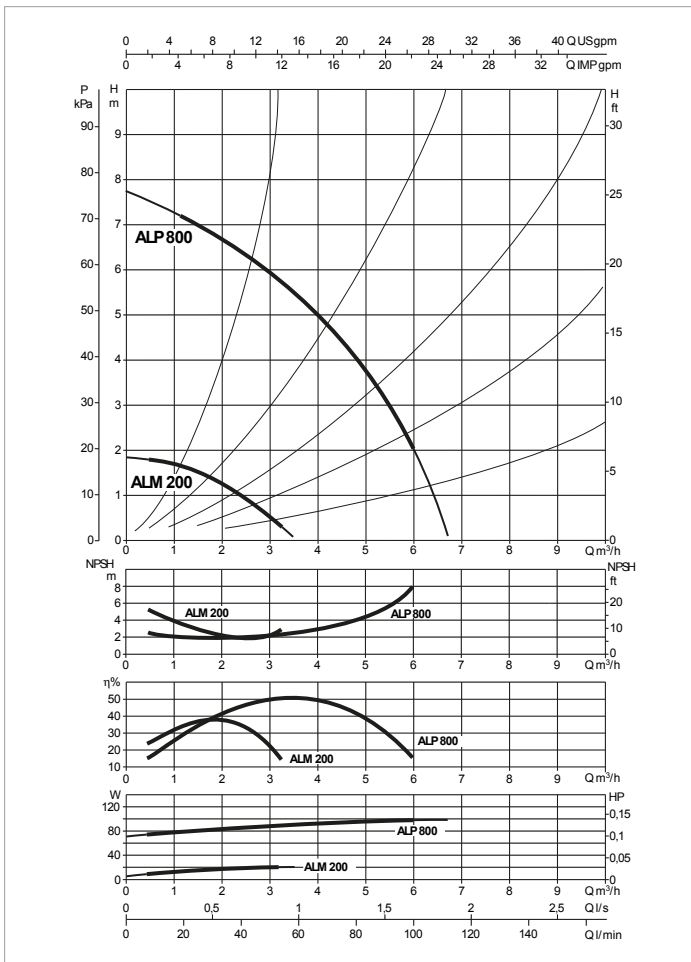
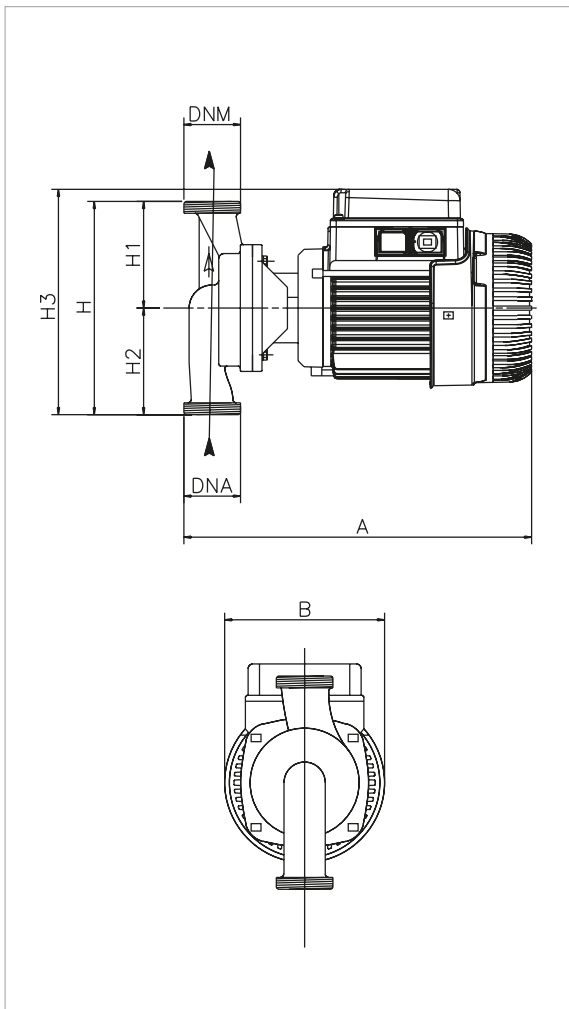
The performance curves are based on kinematic viscosity values = 1 mm²/s and density equal to 1000 kg/m³. Curve tolerance according to ISO 9906.

GRAPHIC SELECTION TABLE



ALM 200 / ALP 800 - IN-LINE PUMPS

Pumped liquid temperature range: from -15 °C to +120 °C - Maximum ambient temperature: +40 °C



The performance curves are based on kinematic viscosity values = 1 mm²/s and density equal to 1000 kg/m³. Curve tolerance according to ISO 9906.

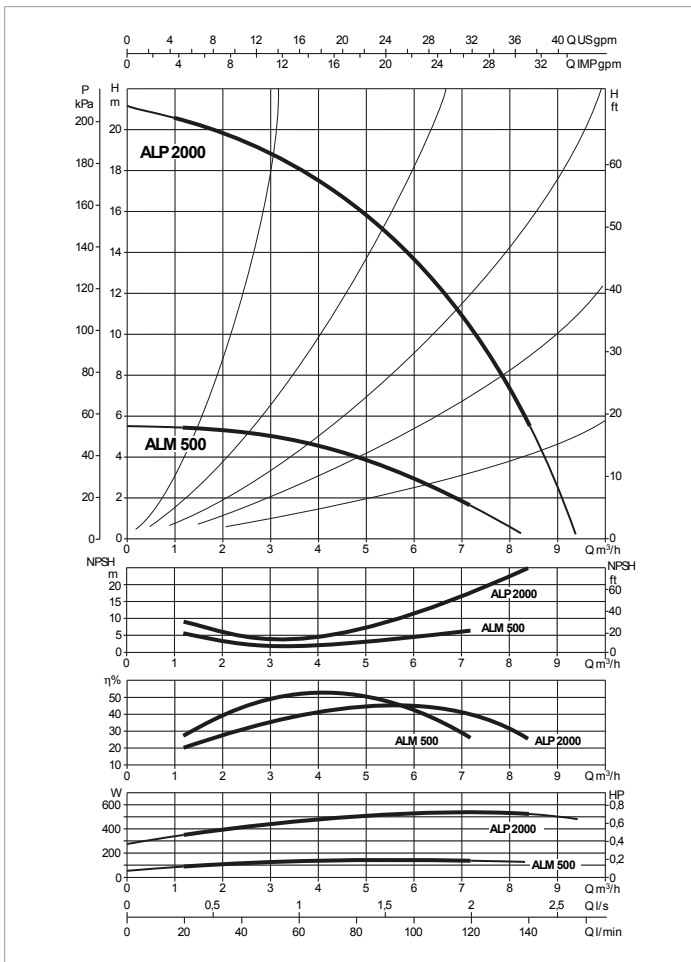
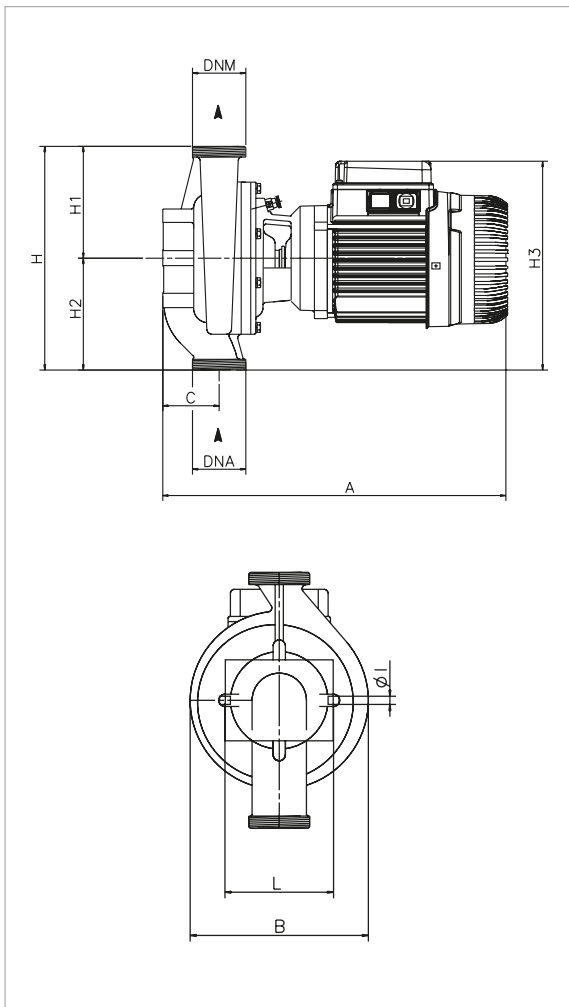
MODEL	Q=m³h	0	1,2	2,4	3,6	4,8	6
	Q=l/min	0	20	40	60	80	100
ALM 200 M - T	H (m)	1,9	1,65	1			
ALP 800 M - T		7,7	7,2	6,3	5,8	3,9	2

MODEL	CENTRE DISTANCE	ELECTRICAL DATA								
		POWER INPUT 50 Hz	POLES	n r.p.m.	P1 MAX KW	P2 NOMINAL		In A	CAPACITOR	
						kW	HP		µF	Vc
ALM 200 M	180	1x220-240 V ~	4	1480	0,14	0,059	0,08	0,7	8	450
ALM 200 T	180	3x230-400V~	4	1475	0,08	0,059	0,08	0,53-0,3	-	-
ALP 800 M	180	1x220-240 V ~	2	2925	0,24	0,37	0,5	1,4	10	450
ALP 800 T	180	3x230-400V~	2	2915	0,2	0,37	0,5	1,2-0,7	-	-

MODEL	A	B	C	L	∅	H	H1	H2	H3	DNA NPT	DNM NPT	PACKING DIMENSIONS			VOLUME (m³)	WEIGHT kg
												L/A	L/B	H		
ALM 200 M - T	300	136	-	-	-	180	90	90	190	1 1/2" G-M	1 1/2" G-M	332	202	257	0,017	7,5
ALP 800 M - T	300	136	-	-	-	180	90	90	190	1 1/2" G-M	1 1/2" G-M	332	202	257	0,017	7,5

ALM 500 / ALP 2000 - IN-LINE PUMPS

Pumped liquid temperature range: from -15 °C to +120 °C - Maximum ambient temperature: +40 °C



The performance curves are based on kinematic viscosity values = 1 mm²/s and density equal to 1000 kg/m³. Curve tolerance according to ISO 9906.

MODEL	Q=m³h	0	1,2	2,4	3,6	4,8	6	7,2	8,4
	Q=l/min	0	20	40	60	80	100	120	140
ALM 500 M - T	H (m)	5,5	5,4	5,3	4,8	4,1	3	1,5	
ALP 2000 M - T		21,1	20,6	19,6	18	16	13,8	10,5	5,3

MODEL	CENTRE DISTANCE	ELECTRICAL DATA								
		POWER INPUT 50 Hz	POLES	n r.p.m.	P1 MAX W	P2 NOMINAL		In A	CAPACITOR	
						kW	HP		µF	Vc
ALM 500 M	250	1x220-240 V ~	4	1425	0,22	0,25	0,33	1	8	450
ALM 500 T	250	3x230-400V~	4	1465	0,19	0,25	0,33	1-0,6	-	-
ALP 2000 M	250	1x220-240 V ~	2	2870	0,75	0,75	1	3,7	16	450
ALP 2000 T	250	3x230-400V~	2	2830	0,74	0,55	0,75	2,3-1,3	-	-

MODEL	A	B	C	L	Ø	H	H1	H2	H3	DNA NPT	DNM NPT	PACKING DIMENSIONS			VOLUME (m³)	WEIGHT Kg
												L/A	L/B	H		
ALM 500 M - T	386	174	63	95	8	250	125	125	235	2" G-M	2" G-M	492	232	292	0,033	14,5
ALP 2000 M - T	386	174	63	95	8	250	125	125	235	2" G-M	2" G-M	492	232	292	0,033	14,5

DWA

PUMPS SELECTOR

On-line selection tool



 **DAB PUMPS LTD.**
6 Gilberd Court
Newcomen Way
Severalls Business Park
Colchester
Essex
CO4 9WN - UK
salesuk@dwtgroup.com
Tel. +44 0333 777 5010

 **DAB PUMPS IBERICA S.L.**
Calle Verano 18-20-22
28850 - Torrejón de Ardoz - Madrid
Spain
Info.spain@dwtgroup.com
Tel. +34 91 6569545
Fax: + 34 91 6569676

 **DAB PUMPS (QINGDAO) CO. LTD.**
No.40 Kaituo Road, Qingdao Economic
& Technological
Development Zone
Qingdao City, Shandong Province - China
PC: 266500
sales.cn@dwtgroup.com
Tel. +86 400 186 8280
Fax +86 53286812210

 **DAB PUMPS BV**
'tHofveld 6 C1
1702 Groot Bijgaarden - Belgium
info.belgium@dwtgroup.com
Tel. +32 2 4668353

 **DAB PUMPS HUNGARY KFT.**
H-8800
Nagykanizsa, Buda Ernő u.5
Hungary
Tel. +36 93501700

 **DAB PUMPS DE MÉXICO, S.A. DE C.V.**
Av Amsterdam 101 Local 4
Col. Hipódromo Condesa,
Del. Cuauhtémoc CP 06170
Ciudad de México
Tel. +52 55 6719 0493

 **DAB PUMPS POLAND Sp. z o.o.**
Ul. Janka Muzykanta 60
02188 Warszawa - Poland
polska@dabpumps.com.pl

 **DAB PUMPS OCEANIA PTY LTD**
426 South Gippsland Highway,
Dandenong South VIC 3175 - Australia
info.oceania@dwtgroup.com
Tel. +61 1300 378 677

 **DAB PUMPS B.V.**
Statenlaan, 4
5223 LA, 's-Hertogenbosch
Nederland
info.nl@dabpumps.com
Tel. +31 416 387280

 **DAB PUMPS INC.**
3226 Benchmark Drive
Ladson, SC 29456 - USA
info.usa@dwtgroup.com
Tel. 1- 843-797-5002
Fax 1-843-797-3366

 **DAB PUMPS GMBH**
Am Nordpark 3
D - 41069 Mönchengladbach - Germany
info.germany@dwtgroup.com
Tel. +49 2161 47388-0
Fax +49 2161 47388-36

 **DAB PUMPS SOUTH AFRICA (PTY) LTD**
Twenty One industrial Estate,
16 Purlin Street, Unit B, Warehouse 4
Olifantsfontein -1667 - South Africa
info.sa@dwtgroup.com
Tel. +27 12 361 3997

 **PT DAB PUMPS INDONESIA**
Satrio Tower lantai 26
unit C-D, Jl. Prof. Dr. Satrio Kav. C4,
Kel. Kuningan Timur, Kec. Setiabudi, Kota Adm.
Jakarta Selatan, Prov. DKI Jakarta. - Indonesia
Tel. +62 2129222850