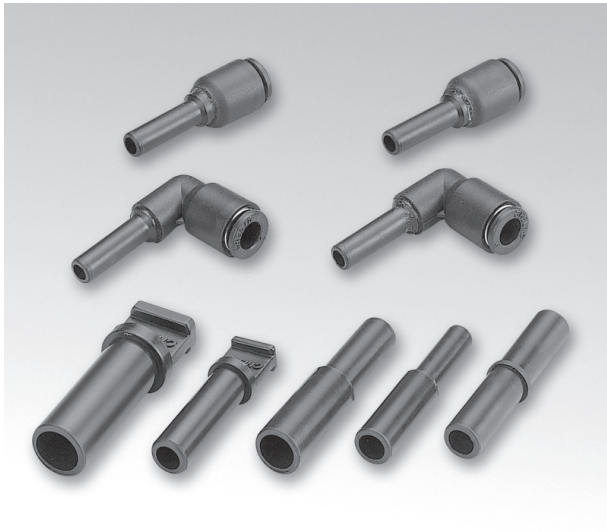


# SP series Fitting

Plug, Nipple, Reducer nipple

CHELIC®



## ► Feature

1. Vertical, elbow and mutple connections, and different diameter in option.
2. Small size, light weight, and storage easily.

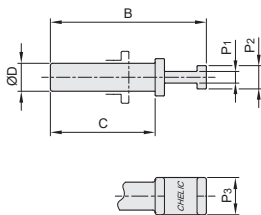
## ► SPG series Plug



Metric specification

Port size ØD	Model	B	C	P1	P2	P3	Weight (g)
Ø4	SPG 4	30.5	20.1	2.3	4.8	6	0.5
Ø6	SPG 6	33.5	22.5	2.5	5	8	0.9
Ø8	SPG 8	36.2	24.7	2.5	6	10	1.2
Ø10	SPG 10	39	26.1	3	8	10	2.2
Ø12	SPG 12	42.9	29	3	8	14	2.6

Inch specification



Port size ØD	Model	B	C	P1	P2	P3	Weight (g)
5/32"	SPG 5/32"	30.5	20.1	2.3	4.8	6	0.5
1/4"	SPG 1/4"	33.5	22.5	2.5	5	8	0.9
5/16"	SPG 5/16"	36.2	24.7	2.5	6	10	1.2
3/8"	SPG 3/8"	39	26	3	8	10	2.2
1/2"	SPG 1/2"	43	29	3	8	14	2.5

SQ □

MSQ □

SP □

SQ □ J

SQR □

SQ □ G

RQL

M □

Stainless  
steel fitting

Brass  
Fitting

Full copper  
fitting

□ SC

QS □

QMC

QT

QH □

QV □

QST

PU Tube

# SP series Fitting

SPP, SPF series

CHELIC®

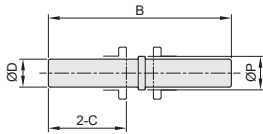
## ► SPP series Nipple

Metric specification



Port size ØD	Model	B	C	ØP	Weight (g)
Ø4	SPP 4	34.2	14.7	5.3	0.2
Ø6	SPP 6	39.3	16.5	7.2	0.9
Ø8	SPP 8	42.6	18	9.2	1.4
Ø10	SPP 10	45	19.4	11.3	2.0
Ø12	SPP 12	51.6	22.4	13.3	2.5

Inch specification



Port size ØD	Model	B	C	ØP	Weight (g)
5/32"	SPG 5/32"	34.2	14.7	5.3	0.2
5/16"	SPG 5/16"	42.6	18	9.2	1.4

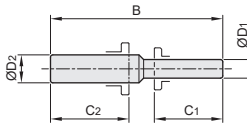
## ► SPF series Different diam nipple

Metric specification



Port size		Model	B	C1	C2	Weight (g)
ØD1	ØD2					
Ø4	Ø6	SPF 4 - 6	36.1	14.7	16.5	0.5
Ø6	Ø8	SPF 6 - 8	40.7	16.5	18	1.2
Ø8	Ø10	SPF 8 - 10	44.1	18	19.4	1.7
Ø10	Ø12	SPF 10 - 12	48.1	19.4	22.4	2.3

Inch specification



Port size		Model	B	C1	C2	Weight (g)
ØD1	ØD2					
5/32"	1/4"	SPF 5/32" - 1/4"	37	14.7	16.5	0.5
1/4"	5/16"	SPF 1/4" - 5/16"	41.5	16.5	18	1.2
5/16"	3/8"	SPF 5/16" - 3/8"	45	18	19.4	1.7
3/8"	1/2"	SPF 3/8" - 1/2"	49	19.4	22.4	2.3

# SQ □ J series Fitting

SQHJ, SQLJ series

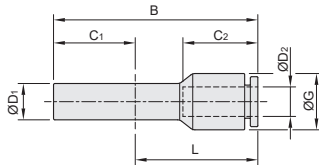
CHELIC<sub>®</sub>

## ► SQHJ series Plug-in reducer



Metric specification

Port size		Model	B	C1	C2	ØG	L	Effective orifice mm <sup>2</sup>	Weight (g)
ØD1	ØD2								
Ø6	Ø4	SQHJ 6 - 4	38.1	17	14.5	10.5	21.1	5.3	3
Ø8	Ø4	SQHJ 8 - 4	41.1	18	16.5	12.4	23.1	5.3	4
Ø8	Ø6	SQHJ 8 - 6	40.8	18	16.5	12.4	22.8	9	4
Ø10	Ø6	SQHJ 10 - 6	46.8	20	16.5	14.3	26.8	9	4.5
Ø10	Ø8	SQHJ 10 - 8	47	20	17.8	14.3	27	20	6
Ø12	Ø8	SQHJ 12 - 8	54	23.5	17.8	17.8	30.5	20	7
Ø12	Ø10	SQHJ 12 - 10	54	23.5	19.2	17.8	30.5	35	8

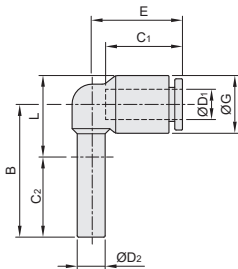


## ► SQLJ series Plug-in elbow



Metric specification

Port size		Model	B	C1	C2	E	ØG	L	Effective orifice mm <sup>2</sup>	Weight (g)
ØD1	ØD2									
Ø4	Ø4	SQLJ 4 - 4	25.8	14.5	15.3	17.5	10.5	15.5	2	2.5
Ø4	Ø6	SQLJ 6 - 4	28.8	14.5	17.2	19.8	12.4	17.5	4.6	3.5
Ø6	Ø6	SQLJ 6 - 6	28.8	16.5	17.2	19.6	12.4	17.5	7.5	4
Ø6	Ø8	SQLJ 8 - 6	32.1	16.5	18.2	22.6	14.3	21.6	10.4	5
Ø8	Ø8	SQLJ 8 - 8	32.6	18.5	18.2	23.1	14.3	21.6	16.5	5.5
Ø8	Ø10	SQLJ 10 - 8	33.8	17.8	20.4	24.2	17.8	22.3	17.4	12
Ø10	Ø10	SQLJ 10 - 10	33.8	19.2	20.4	24.2	17.8	22.6	30	13
Ø10	Ø12	SQLJ 12 - 10	40.3	19.7	24.7	28.3	21.2	26.3	28	14
Ø12	Ø12	SQLJ 12 - 12	40.3	21.9	24.7	28.3	21.2	26.3	42.5	14.5



SQ □

MSQ □

SP □

SQ □ J

SQR □

SQ □ G

RQL

M □

Stainless steel fitting

Brass Fitting

Full copper fitting

□ SC

QS □

QMC

QT

QH □

QV □

QST

PU Tube

# SQR series Fitting

Product features/ Code of order

CHELIC<sub>®</sub>

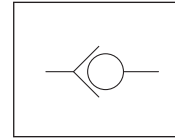
## Feature

- Only single direction can air flow but opposite direction can't ( remain pressure of single direction ).
- It can in low pressure and retain vacuum pressure.

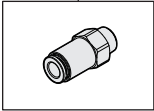
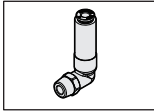
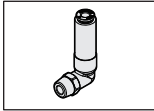
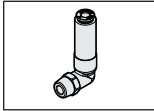
## Specification

Item	Model	SQRC, SQRH
Fluid		Air
Action pressure	kgf/cm <sup>2</sup> (MPa)	0.5 (0.05)
Pressure range	kgf/cm <sup>2</sup> (MPa)	0~9 (0.09)
Ambient and fluid temperature	°C	0 ~ 60
Vacuum pressure	mmHg(Torr)	-750 ( 1.0 )

## Symbol

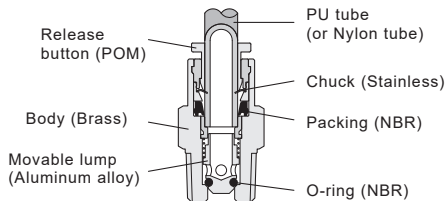


## Code of order

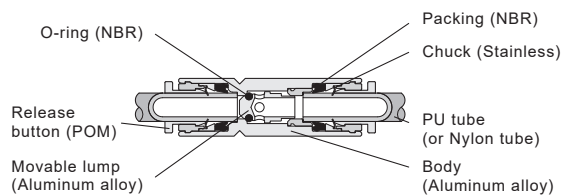
<b>SQRC</b>	-	<b>6</b>	-	<b>01</b>	-	<b>A</b>				
Model		Port size		Thread		Control direction				
 SQRC: Self-seal straight male	 SQRH: Self-seal straight union	 SQRL: Self-seal elbow	 SQRM: Self-seal bulkhead union	Metric: Ø4 : Ø4 mm Ø6 : Ø6 mm Ø8 : Ø8 mm Ø10 : Ø10 mm Ø12 : Ø12 mm	Metric: M5 : M5 x 0.8 01 : PT 1/8" 02 : PT 1/4" 03 : PT 3/8" 04 : PT 1/2"	<table border="1"> <tr> <td>A</td> <td>Input control from thread point.</td> </tr> <tr> <td>B</td> <td>Input control from hold point.</td> </tr> </table>	A	Input control from thread point.	B	Input control from hold point.
A	Input control from thread point.									
B	Input control from hold point.									
		Inch: 5/32": Ø3.97mm 1/4": Ø6.35mm 5/16": Ø7.94mm 3/8": Ø9.53mm 1/2": Ø12.7mm		Inch: 10/32: NR 10/32" 01: NPT 1/8" 02: NPT 1/4" 03: NPT 3/8" 04: NPT 1/2"						

## Internal structure

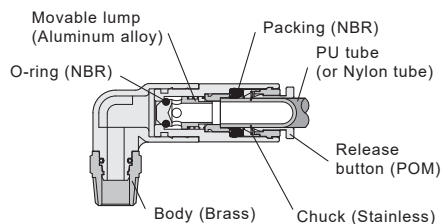
### SQRC series



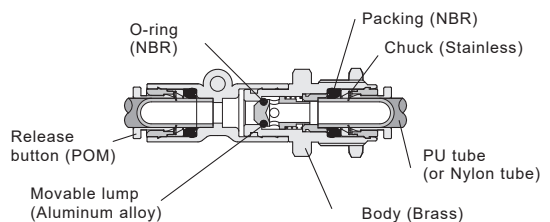
### SQRH series



### SQRL series



### SQRM series



# SQR series Fitting

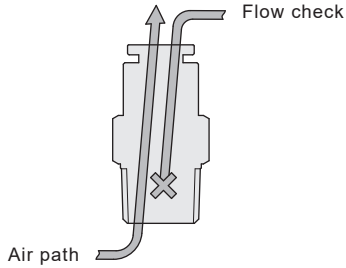
## Control direction

CHELIC®

### Control direction for check valve

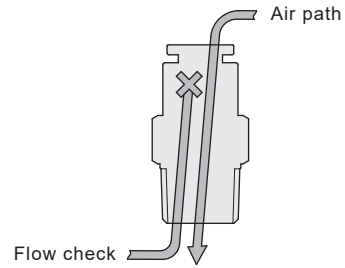
#### ► SQR series

– **A** Input control from thread point (Standard)



● SQR – □ – A

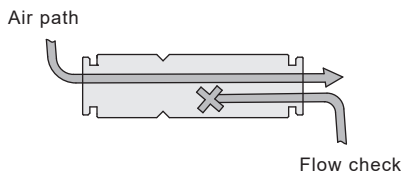
– **B** Input control from hold point



● SQR – □ – B

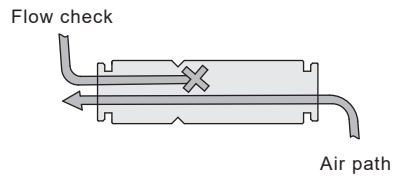
#### ► SQRH series

– **A** Input control from thread point (Standard)



● SQRH – □ – A

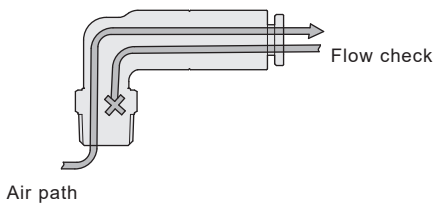
– **B** Input control from hold point



● SQRH – □ – B

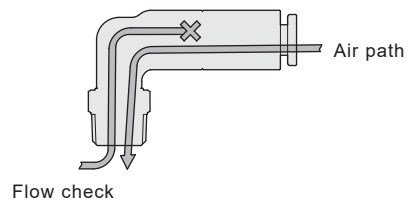
#### ► SQRL series

– **A** Input control from thread point (Standard)



● SQRH – □ – A

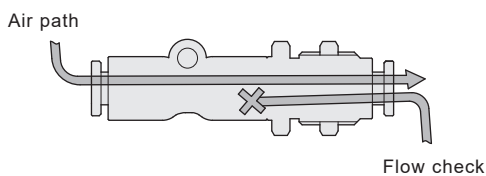
– **B** Input control from hold point



● SQRH – □ – B

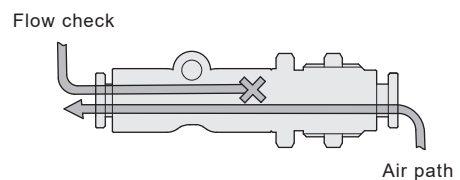
#### ► SQRM series

– **A** Input control from thread point (Standard)



● SQRM – □ – A

– **B** Input control from hold point



● SQRM – □ – B

SQ □

MSQ □

SP □

SQ □ J

SQR □

SQ □ G

RQL

M □

Stainless steel fitting

Brass Fitting

Full copper fitting

□ SC

QS □

QMC

QT

QH □

QV □

QST

PU Tube

# SQR series Fitting

Check fitting - SQRC, SQRH series

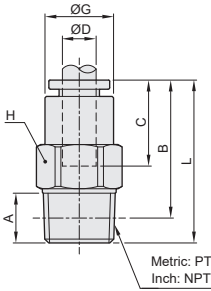
CHELIC<sub>®</sub>

## ► SQRC series Self-seal straight male

Metric specification



Port size ØD	Thread size Rc (PT)	Model	A	B	C	ØG	L	Across flats H	Effective orifice mm <sup>2</sup>	Weight (g)
Ø4	M5	SQRC 4 - M5 - □	3.6	30	13.9	10	31.7	10	3.9	11.5
	1/8"	SQRC 4 - 01 - □	6	24.5	13.9	10	27.5	10	4.9	10.5
Ø6	1/8"	SQRC 6 - 01 - □	6	28.8	15.6	12.4	31.8	12	12.5	15.5
	1/4"	SQRC 6 - 02 - □	9	27.3	15.6	12.4	33.5	14	12.5	22
Ø8	1/8"	SQRC 8 - 01 - □	6	30.5	16.8	14	33.5	14	12.5	21
	1/4"	SQRC 8 - 02 - □	9	29	16.8	14	33.5	14	19.5	21
Ø10	3/8"	SQRC 10 - 03 - □	12	56.4	20.3	25	62.4	24	58	45
	1/2"	SQRC 10 - 04 - □	15	60.5	20.3	28	68.5	27	58	50.5
Ø12	3/8"	SQRC 12 - 03 - □	12	58.4	22.3	25	64.4	24	58	42
	1/2"	SQRC 12 - 04 - □	15	63	22.3	28	71	27	58	47.5



Inch specification

Port size ØD	Thread size NR/ NPT	Model	A	B	C	ØG	L	Across flats H	Effective orifice mm <sup>2</sup>	Weight (g)
5/32"	NR10/32"	SQRC 5/32" - 10/32 - □	3.6	30	13.9	10	31.7	10	3.9	11.5
	1/8"	SQRC 5/32" - 01 - □	6	24.5	13.9	10	27.5	10	4.9	10.5
1/4"	1/8"	SQRC 1/4" - 01 - □	6	28.8	15.6	12.4	31.8	12	12.5	15.5
	1/4"	SQRC 1/4" - 02 - □	9	27.3	15.6	12.4	33.5	14	12.5	22
5/16"	1/8"	SQRC 5/16" - 01 - □	6	30.5	16.8	14	33.5	14	12.5	21
	1/4"	SQRC 5/16" - 02 - □	9	29	16.8	14	33.5	14	19.5	21
3/8"	3/8"	SQRC 3/8" - 03 - □	12	56.4	20.3	25	62.4	24	58	45
	1/2"	SQRC 3/8" - 04 - □	15	60.5	20.3	28	68.5	27	58	50.5

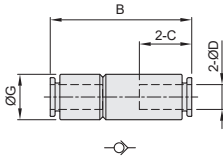
## ► SQRH series Self-seal straight union

Metric specification



Port size ØD	Model	B	C	ØG	Effective orifice mm <sup>2</sup>	Weight (g)
Ø4	SQRH 4 - 4	39.4	13.9	10	4.9	6
Ø6	SQRH 6 - 6	45.2	15.6	12.4	12.5	10
Ø8	SQRH 8 - 8	48.9	16.8	14	19.6	13

Inch specification



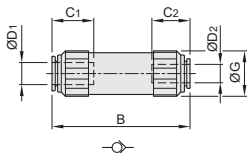
Port size ØD	Model	B	C	ØG	Effective orifice mm <sup>2</sup>	Weight (g)
5/32"	SQRH 5/32" - 5/32"	39.4	13.9	10	4.9	6
1/4"	SQRH 1/4" - 1/4"	45.2	15.6	12.4	12.5	10
5/16"	SQRH 5/16" - 5/16"	48.9	16.8	14	19.6	13

Metric specification



Port size		Model	B	C1	C2	ØG	Effective orifice mm <sup>2</sup>	Weight (g)
ØD1	ØD2							
Ø10	Ø10	SQRH 10 - 10	72.6	20.3	20.3	25	58	61.5
Ø12	Ø12	SQRH 12 - 12	76.7	22.3	22.3	25	58	57

Inch specification



Port size		Model	B	C1	C2	ØG	Effective orifice mm <sup>2</sup>	Weight (g)
ØD1	ØD2							
3/8"	3/8"	SQRH 3/8" - 3/8"	72.6	20.3	20.3	25	58	61.5
1/2"	1/2"	SQRH 1/2" - 1/2"	76.7	22.3	22.3	25	58	57

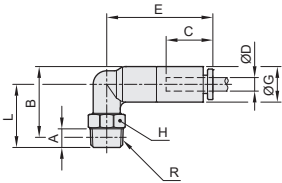
# SQR series Fitting

Check fitting - SQRL series

CHELIC<sub>®</sub>

## ► SQRL series Self-seal elbow

Metric specification



Port size ØD	Thread size Rc (PT)	Model	A	B	C	E	ØG	L	Across flats H	Effective orifice mm <sup>2</sup>	Weight (g)
Ø4	M5	SQRL 4 - M5 - □	3.6	19.8	13.8	31.3	10.5	16.4	10	3.9	6
	1/8"	SQRL 4 - 01 - □	6	22.4	13.8	31.3	10.5	20.2	10	4.9	10
	1/4"	SQRL 4 - 02 - □	9	24.1	13.8	31.3	10.5	23.4	14	12.5	16
Ø6	M5	SQRL 6 - M5 - □	3.6	22.5	15.7	38	12.5	19	10	3.9	8.5
	1/8"	SQRL 6 - 01 - □	6	25.9	15.7	38	12.5	22.8	10	4.9	10.5
	1/4"	SQRL 6 - 02 - □	9	27.7	15.7	38	12.5	27.1	14	12.5	18
Ø8	3/8"	SQRL 6 - 03 - □	9	28.4	15.7	38	12.5	27.8	17	12.5	22.5
	1/8"	SQRL 8 - 01 - □	6	27.6	16.8	41.5	14.3	24.4	12	4.9	13.5
	1/4"	SQRL 8 - 02 - □	9	29.4	16.8	41.5	14.3	27.7	14	19.6	19
Ø10	3/8"	SQRL 8 - 03 - □	9	30.1	16.8	41.5	14.3	28.4	17	19.6	24.5
	1/8"	SQRL 10 - 01 - □	9	31.6	20.4	75	17.8	25.7	17	4.9	27
	1/4"	SQRL 10 - 02 - □	9	33.4	20.4	75	17.8	29	17	19.6	29
Ø12	3/8"	SQRL 10 - 03 - □	9	34.1	20.4	75	17.8	29.7	17	58	31
	1/2"	SQRL 10 - 04 - □	11	36.1	20.4	75	17.8	32.7	21	58	46
	1/4"	SQRL 12 - 02 - □	9	38.2	23.2	78.3	21.2	32.2	17	4.9	36
Ø12	3/8"	SQRL 12 - 03 - □	9	36.9	23.2	78.3	21.2	32.2	17	58	36
	1/2"	SQRL 12 - 04 - □	11	38.9	23.2	78.3	21.2	35.2	21	58	50

Inch specification

Port size ØD	Thread size NR/ NPT	Model	A	B	C	E	ØG	L	Across flats H	Effective orifice mm <sup>2</sup>	Weight (g)
5/32"	NR10/32"	SQRL 5/32"-10/32"- □	3.6	19.8	13.8	31.3	10.5	16.4	10	3.9	6
	1/8"	SQRL 5/32" - 01 - □	6	22.4	13.8	31.3	10.5	20.2	10	4.9	10
	1/4"	SQRL 5/32" - 02 - □	9	24.1	13.8	31.3	10.5	23.4	14	12.5	16
1/4"	NR10/32"	SQRL 1/4" - M5 - □	3.6	22.5	15.7	38	12.5	19	10	3.9	8.5
	1/8"	SQRL 1/4" - 01 - □	6	25.9	15.7	38	12.5	22.8	10	4.9	10.5
	1/4"	SQRL 1/4" - 02 - □	9	27.7	15.7	38	12.5	27.1	14	12.5	18
5/16"	3/8"	SQRL 1/4" - 03 - □	9	28.4	15.7	38	12.5	27.8	17	12.5	22.5
	1/8"	SQRL 5/16" - 01 - □	6	27.6	16.8	41.5	14.3	24.4	12	4.9	13.5
	1/4"	SQRL 5/16" - 02 - □	9	29.4	16.8	41.5	14.3	27.7	14	19.6	19
3/8"	3/8"	SQRL 5/16" - 03 - □	9	30.1	16.8	41.5	14.3	28.4	17	19.6	24.5
	1/8"	SQRL 3/8" - 01 - □	9	31.6	20.4	75	17.8	25.7	17	4.9	27
	1/4"	SQRL 3/8" - 02 - □	9	33.4	20.4	75	17.8	29	17	19.6	29
1/2"	3/8"	SQRL 3/8" - 03 - □	9	34.1	20.4	75	17.8	29.7	17	58	31
	1/2"	SQRL 3/8" - 04 - □	11	36.1	20.4	75	17.8	32.7	21	58	46
	1/4"	SQRL 1/2" - 02 - □	9	38.2	23.2	78.3	21.2	32.2	17	4.9	36
1/2"	3/8"	SQRL 1/2" - 03 - □	9	36.9	23.2	78.3	21.2	32.2	17	58	36
	1/2"	SQRL 1/2" - 04 - □	11	38.9	23.2	78.3	21.2	35.2	21	58	50

SQ □

MSQ □

SP □

SQ □ J

SQR □

SQ □ G

RQL

M □

Stainless steel fitting

Brass Fitting

Full copper fitting

□ SC

QS □

QMC

QT

QH □

QV □

QST

PU Tube

# SQR series Fitting

Check fitting - SQRM series

CHELIC<sub>®</sub>

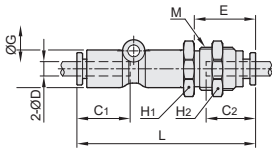
## ► SQRM series Self-seal bulkhead union

Metric specification



Port size ØD	Thread size M	Model	C1	C2	E	ØG	L	Across flats H1	Across flats H2	Effective orifice mm <sup>2</sup>	Weight (g)
Ø4	M12x1	SQRM 4 - 4	12.1	13.8	16.2	10.5	49	14	14	4.9	2
Ø6	M14x1	SQRM 6 - 6	17	15.7	17	12.5	55	17	17	12.5	25
Ø8	M16x1	SQRM 8 - 8	18.8	16.8	18.8	14.3	63	17	19	19.6	35
Ø10	M20x1	SQRM 10 - 10	21	20.4	21	17.8	98	24	24	58	115
Ø12	M22x1	SQRM 12 - 12	23.6	23.2	21.2	21.2	103	24	27	58	135

Inch specification



Port size ØD	Thread size M	Model	C1	C2	E	ØG	L	Across flats H1	Across flats H2	Effective orifice mm <sup>2</sup>	Weight (g)
1/4"	M14x1	SQRM 1/4" - 1/4"	17	15.7	17	12.5	55	17	17	12.5	25
5/16"	M16x1	SQRM 5/16" - 5/16"	18.8	16.8	18.8	14.3	63	17	19	19.6	35
3/8"	M20x1	SQRM 3/8" - 3/8"	21	20.4	21	17.8	98	24	24	58	115



# SQ □ G series Fitting

Mini type pressure gauge, Pressure gauge fitting

CHELIC®



## ► Feature

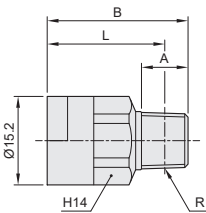
1. Applicable to detect piping pressures.
2. Small and easy to manage in varied occasion.

## ► SQCG series Pressure gauge fitting

Metric specification



Thread size Rc (PT)	Model	A	B	L	Weight (g)
1/8"	SQCG 15 - 01	8	24	20	14



SQ □

MSQ □

SP □

SQ □ J

SQR □

SQ □ G

RQL

M □

Stainless  
steel fitting

Brass  
Fitting

Full copper  
fitting

□ SC

QS □

QMC

QT

QH □

QV □

QST

PU Tube

# SQ □ G series Fitting

Pressure gauge fitting - SQMG, SQLG, SQEG series

CHELIC®

## ► SQMG series Bulkhead straight pressure gauge fitting

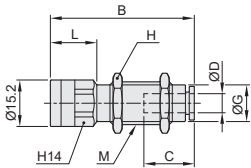


Metric specification

Port size ØD	Thread size M	Model	B	C	L	ØG	Across flats H	Effective orifice mm <sup>2</sup>	Weight (g)
Ø6	M14x1.0	SQMG 6 - 6	47.1	16.5	15.2	12	17	10	22

Inch specification

Port size ØD	Thread size M	Model	B	C	L	ØG	Across flats H	Effective orifice mm <sup>2</sup>	Weight (g)
1/4"	M14x1.0	SQMG 1/4 - 1/4	47.1	16.5	15.2	12	17	10	22



## ► SQLG series Male elbow pressure gauge fitting

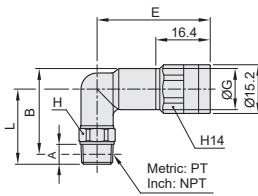


Metric specification

Port size ØD	Thread size Rc (PT)	Model	A	B	E	ØG	L	Across flats H	Effective orifice mm <sup>2</sup>	Weight (g)
Ø6	M5	SQLG 6 - M5	3.6	22.5	34.1	12.4	19	10	3.5	20
	1/8"	SQLG 6 - 01	6	25.9	34.1	12.4	22.8	10	10	22
	1/4"	SQLG 6 - 02	9	27.7	34.1	12.4	27.1	14	10	22

Inch specification

Port size ØD	Thread size NR/ NPT	Model	A	B	E	ØG	L	Across flats H	Effective orifice mm <sup>2</sup>	Weight (g)
1/4"	NR10/32"	SQLG 1/4"-10/32"	3.6	22.5	34.1	12.4	19	10	3.5	20
	1/8"	SQLG 1/4" - 01	6	25.9	34.1	12.4	22.8	10	10	22
	1/4"	SQLG 1/4" - 02	9	27.7	34.1	12.4	27.1	14	10	22



## ► SQEG series Branch tee pressure gauge fitting

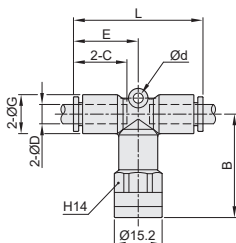


Metric specification

Port size ØD	Model	B	C	Ød	E	ØG	L	Effective orifice mm <sup>2</sup>	Weight (g)
Ø6	SQEG 6	32.9	17	3.2	20.6	12.4	41.2	10	22

Inch specification

Port size ØD	Model	B	C	Ød	E	ØG	L	Effective orifice mm <sup>2</sup>	Weight (g)
1/4"	SQEG 1/4"	32.9	17	3.2	20.6	12.4	41.2	10	22

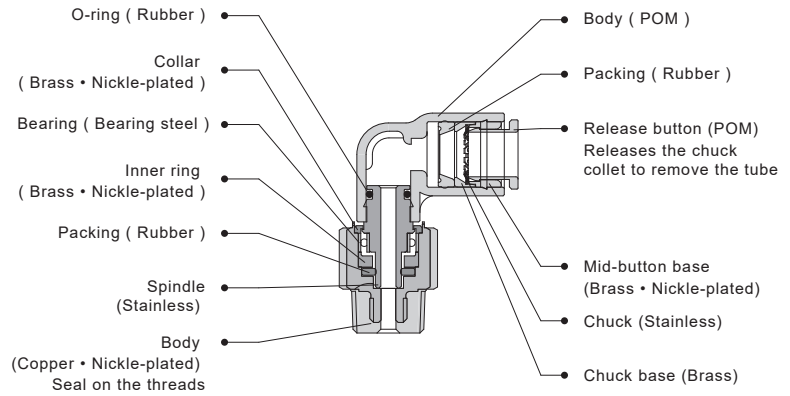


# RQL series Rotary Elbow Male

Product features/ Code of order

CHELIC<sub>®</sub>

## Internal structure

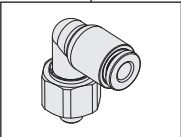


● Bearings inside the fitting, suitable for use in swinging and rotating positions

## Specification

Item	Port size	Ø4, Ø6, Ø8, Ø10, Ø12, 5/32", 1/4", 5/16", 3/8", 1/2"
Fluid		Air
Pressure range	kgf/cm <sup>2</sup> (kPa)	0 ~ 9 ( 900 )
Proof pressure	kgf/cm <sup>2</sup> (kPa)	10 ( 1000 )
Bearing rotation	( r.p.m )	500
Ambient and fluid temperature	°C	0 ~ 60
Material	Body	Brass (Nickle-plated)
	Plastic	NYLON, POM
Thread	Rc (PT/ NPT)	M5x0.8p, 1/8", 1/4", 3/8", 1/2"
Seal on the threads		With sealant

## Code of order

RQL	6	01
Model	Port size	Thread
 <p>RQL: Rotary elbow male</p>	Metric: 4 - Ø4 mm 6 - Ø6 mm 8 - Ø8 mm 10 - Ø10 mm 12 - Ø12 mm	Metric: M5 - M5x0.8 01 - PT 1/8" 02 - PT 1/4" 03 - PT 3/8" 04 - PT 1/2"
	Inch: 5/32" - Ø3.97 mm 1/4" - Ø6.35 mm 5/16" - Ø7.94 mm 3/8" - Ø9.53 mm 1/2" - Ø12.7 mm	Inch: 10/32 - NR 10/32" 01 - NPT 1/8" 02 - NPT 1/4" 03 - NPT 3/8" 04 - NPT 1/2"

SQ

MSQ

SP

SQ  J

SQR

SQ  G

RQL

M

Stainless steel fitting

Brass Fitting

Full copper fitting

SC

QS

QMC

QT

QH

QV

QST

PU Tube

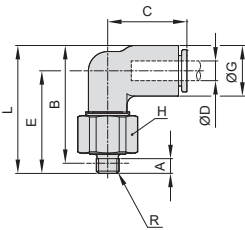
# RQL series Rotary Elbow Male

## Dimensions

CHELIC®

### ☉ RQL series Rotary elbow male

Metric specification



Port size ØD	Thread size Rc (PT)	Model	A	B	C	E	ØG	L	Across flats H	Weight (g)
Ø4	M5	RQL 4-M5	3.2	26.1	17.1	22.2	10.5	27.2	12	11.95
	1/8"	RQL 4-01	5.5	26.3	17.1	23.6	10.5	28.6	12	14.23
Ø6	M5	RQL 6-M5	3.2	30.0	20.2	25.3	12.5	31.5	14	16.23
	1/8"	RQL 6-01	5.5	30.3	20.2	26.8	12.5	33.0	14	17.26
	1/4"	RQL 6-02	8.0	31.8	20.2	29.5	12.5	35.7	14	22.28
Ø8	1/8"	RQL 8-01	5.5	34.2	23.1	29.8	14.3	37.0	17	25.88
	1/4"	RQL 8-02	8.0	35.7	23.1	29.8	14.3	39.7	17	31.35
	3/8"	RQL 8-03	8.0	35.7	23.1	32.5	14.3	39.7	17	36.20
Ø10	1/8"	RQL 10-01	5.5	41.9	26.4	35.7	17.8	44.6	22	49.17
	1/4"	RQL 10-02	8.0	43.3	26.4	38.4	17.8	47.3	22	50.52
	3/8"	RQL 10-03	8.0	43.3	26.4	38.4	17.8	47.3	22	55.70
	1/2"	RQL 10-04	10.0	44.3	26.4	40.4	17.8	49.3	22	67.60
Ø12	1/4"	RQL 12-02	8.0	47.6	30.5	41.0	21.1	51.6	24	68.41
	3/8"	RQL 12-03	8.0	47.6	30.5	41.0	21.1	51.6	24	72.35
	1/2"	RQL 12-04	10.0	48.6	30.5	43.0	21.1	53.6	24	83.98

Inch specification

Port size ØD	Thread size Rc (PT)	Model	A	B	C	E	ØG	L	Across flats H	Weight (g)
5/32"	NR 10/32"	RQL 5/32-10/32"	3.2	26.1	17.1	22.2	10.5	27.2	12	11.95
	1/8"	RQL 5/32-01	5.5	26.3	17.1	23.6	10.5	28.6	12	14.23
1/4"	NR 10/32"	RQL 1/4"-M5	3.2	30.0	20.2	25.3	12.5	31.5	14	16.23
	1/8"	RQL 1/4"-01	5.5	30.3	20.2	26.8	12.5	33.0	14	17.26
	1/4"	RQL 1/4"-02	8.0	31.8	20.2	29.5	12.5	35.7	14	22.28
5/16"	1/8"	RQL 5/16"-01	5.5	34.2	23.1	29.8	14.3	37.0	17	25.88
	1/4"	RQL 5/16"-02	8.0	35.7	23.1	29.8	14.3	39.7	17	31.35
	3/8"	RQL 5/16"-03	8.0	35.7	23.1	32.5	14.3	39.7	17	36.20
3/8"	1/8"	RQL 3/8"-01	5.5	41.9	26.4	35.7	17.8	44.6	22	49.17
	1/4"	RQL 3/8"-02	8.0	43.3	26.4	38.4	17.8	47.3	22	50.52
	3/8"	RQL 3/8"-03	8.0	43.3	26.4	38.4	17.8	47.3	22	55.70
1/2"	1/4"	RQL 1/2"-02	8.0	47.6	30.5	41.0	21.1	51.6	24	68.41
	3/8"	RQL 1/2"-03	8.0	47.6	30.5	41.0	21.1	51.6	24	72.35
	1/2"	RQL 1/2"-04	10.0	48.6	30.5	43.0	21.1	53.6	24	83.98