

PAQ series Mark-free Vacuum Pad

Product features

CHELIC

Feature

- Uniqueness : Through the special pattern design inside the vacuum pad, a large lateral force can be tolerated during the conveying process.
- Diversification: Various sizes, materials and brackets can be selected.
- Convenience: The structure is simple and compact, easily to be replaced.



Vacuum pad material

Mark	Vacuum pad material	Hardness (HS)	Ambient and fluid temperature	Color	Electrical resistance(Note)
N	NBR(Rubber)	A60/S	-26~120°C	Black	-
S	Silicon, Silicone rubber	A60/S	-20~180°C	White	-
SE	Anti-static rubber	A50/S	-20~180°C	Black	10 ⁴ ~10 ⁶ Ω·cm
E	Low resistance & anti-static rubber	A60/S	-20~180°C	Black	200Ω·cm

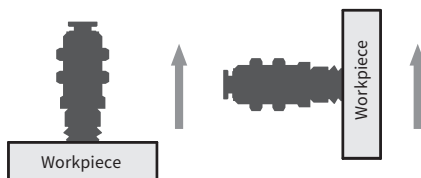
Note: The above value covers only general characteristics of subject rubber materials. Pad materials used by CHELIC pass internal standard.

Vacuum control system

Theoretical suction is calculated from pad size and vacuum value, which is only a number for reference. Theoretical suction is a number under static status. Please reserve enough margin while adding workpieces and movement.

Before confirm the Qty and location of suction pad, please reserve enough margin.

● Suction type



● Calculation formula

$$W = \frac{P \times A}{-10}$$

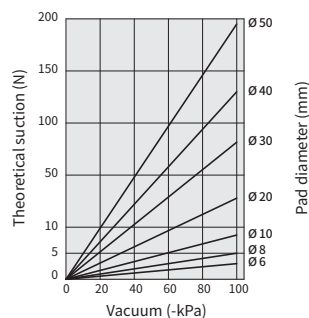
W: Force N

P : Vacuum pressure kPa

A : Pad area dimensions cm²

Theoretical suction

● Pad diameter: Ø6~Ø50mm



PA

PB

PC

PAG

PAO

PAP

PAQ

PAW

PAL

PBL

PCL

PAR

PS

VP

PAQ series Mark-free Vacuum Pad

Code of order

CHELIC

Code of order **PAQ FS 10 x 4 N - P - R**



1	Bracket	Vertical entry	Vertical entry with fitting	Side entry	Vertical entry with spring	Side entry with spring
	Mark	F	K	T	FS	TS
	Image					

2	Mark	06	08	10	15	20	30	40	50
	Pad dia. (mm)	Ø6	Ø8	Ø10	Ø15	Ø20	Ø30	Ø40	Ø50

3 ● Only available to FS, TS series

Mark	Stroke (mm)	Outer diameter (mm)	Mark	Stroke (mm)	Outer diameter (mm)	
3	3	Ø6, Ø8	6	6	Ø20, Ø30 Ø40, Ø50	
10	10					
Mark	Stroke (mm)	Outer diameter (mm)	Mark	Stroke (mm)		
4	4	Ø10, Ø15	15	15		
10	10					

4	Mark	Vacuum pad material	Hardness (HS)	Ambient and fluid temperature	Color	Electrical resistance(Note)
	N	NBR(Rubber)	A60/S	-26~120°C	Black	-
	S	Silicon, Silicone rubber	A60/S	-20~180°C	White	-
	SE	Anti-static rubber	A60/S	-20~180°C	Black	10 ⁴ ~10 ⁶ Ω • cm
	E	Low resistance & anti-static rubber	A70/S	-20~180°C	Black	200 Ω • cm

● Note: The above value covers only general characteristics of subject rubber materials. Pad materials used by CHELIC pass internal standard.

5	Mark	Gasket material	Color
	P	POM	White

6		With ball joint type
Mark	Outer diameter (mm)	
05	Ø6, Ø8 Ø10, Ø15	
20	Ø20, Ø30 Ø40, Ø50	

● Note: According to vacuum pad specification to py proper free holder.

● Note :Please refer to P3-2.96

PAQ series selection table:

Pad type	1 Bracket	2 Pad dia.	3 Stroke	4 Vacuum pad material	5 Gasket material	6 Ball joint type
PAQ	F • K • T • FS • TS	06	3 • 10	N • S • SE • E	P	05
		08	4 • 10			
		10	6 • 15			
		15				
		20		20		
		30				
		40				
		50				

Product weight

Item	PAQ							
Model	6	8	10	15	20	30	40	50
Weight(g)	0.34	0.46	0.79	1.37	2.65	7.81	17.1	31.69

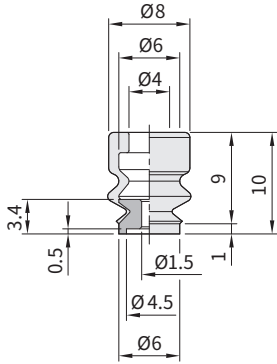
PAQ series Mark-free Vacuum Pad

Dimensions

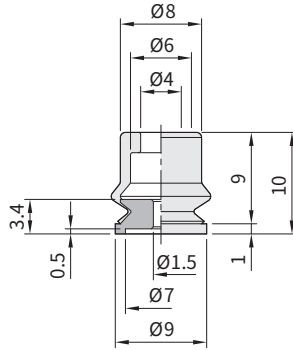
CHELIC

Vacuum pad size

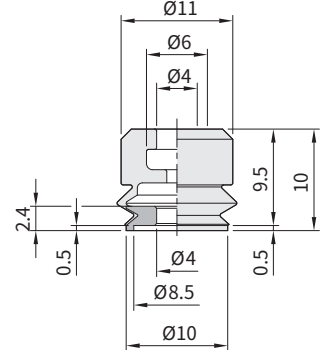
● PAQ 06



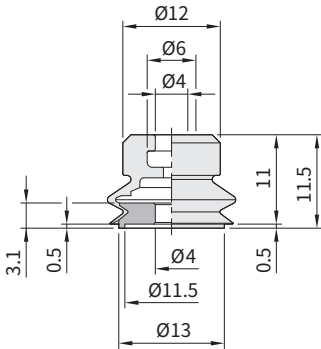
● PAQ 08



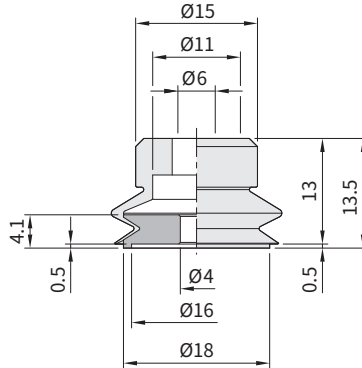
● PAQ 10



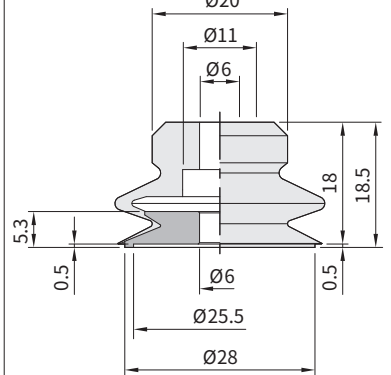
● PAQ 15



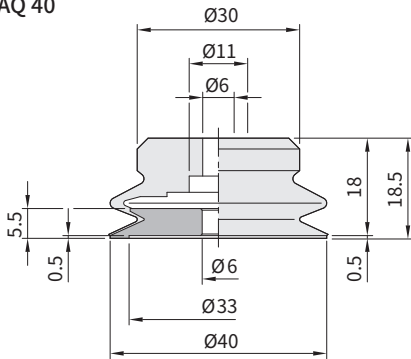
● PAQ 20



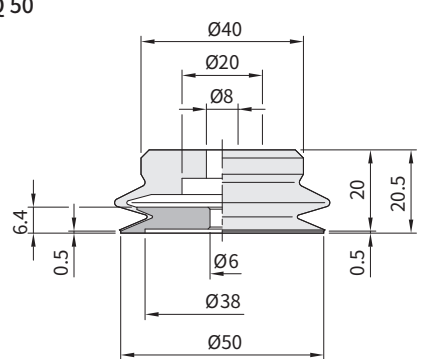
● PAQ 30



● PAQ 40



● PAQ 50



PA

PB

PC

PAG

PAO

PAP

PAQ

PAW

PAL

PBL

PCL

PAR

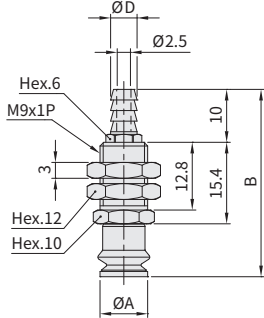
PS

VP

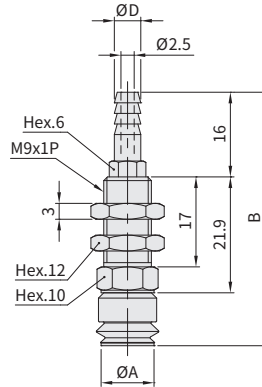
PAQ series Mark-free Vacuum Pad

Dimensions-Suction mark prevention PAQF/ Vertical, PAQK with fitting **CHELIC**

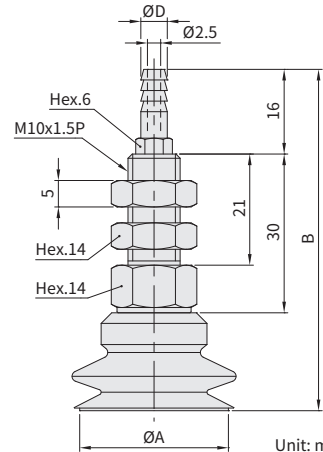
■ PAQ **F** - 06, 08



■ PAQ **F** - 10, 15



■ PAQ **F** - 20, 30, 40, 50

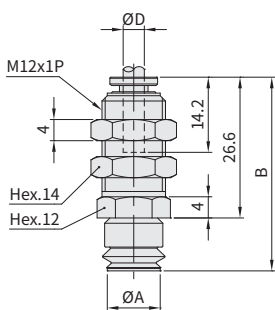


Unit: mm

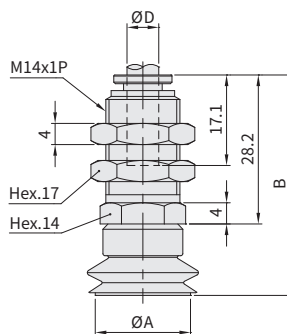
Unit: mm

Model	Size of PU tube Ø D	Pad dia. Ø A	Whole length B
PAQ F - 06	6x4	6	35.4
PAQ F - 08	6x4	9	35.4
PAQ F - 10	6x4	10	45.4
PAQ F - 15	6x4	13	45.4
PAQ F - 20	6x4	18	65
PAQ F - 30	6x4	28	64.5
PAQ F - 40	6x4	40	64.5
PAQ F - 50	6x4	50	66.5

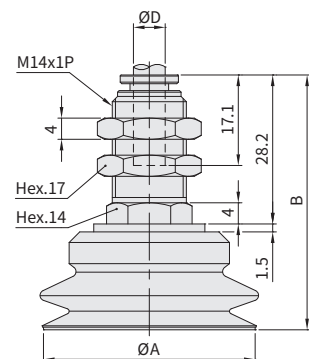
■ PAQ **K** - 06, 08, 10, 15



■ PAQ **K** - 20, 30



■ PAQ **K** - 40, 50



Unit: mm

Model	Size of PU tube Ø D	Pad dia. Ø A	Whole length B
PAQ K - 06	4	6	36.6
PAQ K - 08	4	9	36.6
PAQ K - 10	4	10	36.6
PAQ K - 15	4	13	38.1
PAQ K - 20	6	18	41.7
PAQ K - 30	6	28	46.7
PAQ K - 40	6	40	48.2
PAQ K - 50	6	50	50.2

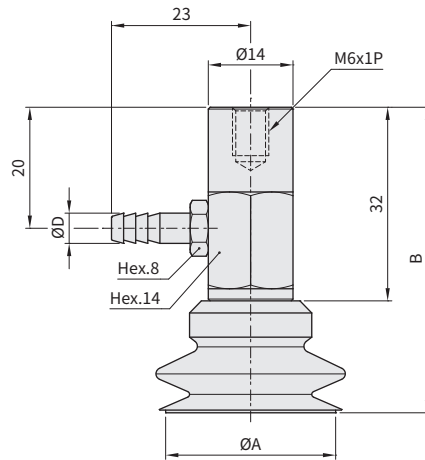
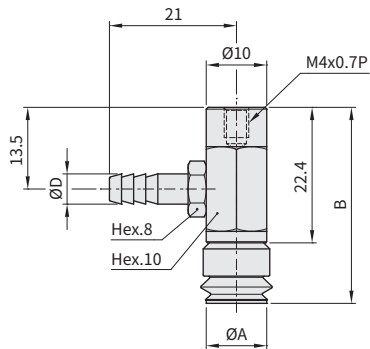
PAQ series Mark-free Vacuum Pad

Dimensions-Suction mark prevention PAQT/ Side entry

CHELIC

■ PAQ **T** - 06, 08, 10, 15

■ PAQ **T** - 20, 30, 40, 50



Unit: mm

Model	Size of PU tube ØD	Pad dia. ØA	Whole length B
PAQ T - 06	6x4	6	32.4
PAQ T - 08	6x4	9	32.4
PAQ T - 10	6x4	10	32.4
PAQ T - 15	6x4	13	33.9
PAQ T - 20	6x4	18	45.5
PAQ T - 30	6x4	28	50.5
PAQ T - 40	6x4	40	50.5
PAQ T - 50	6x4	50	52.5

PA

PB

PC

PAG

PAO

PAP

PAQ

PAW

PAL

PBL

PCL

PAR

PS

VP

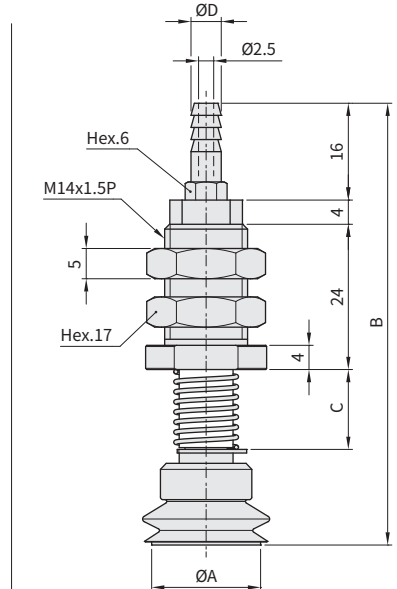
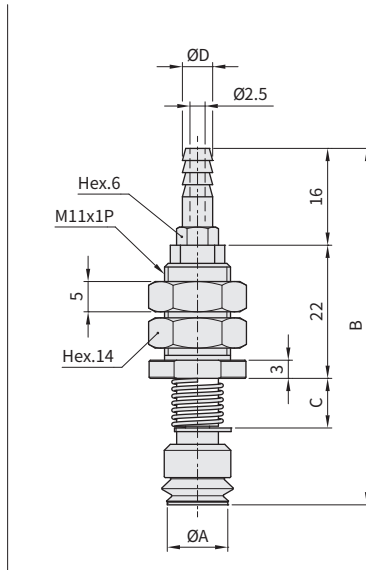
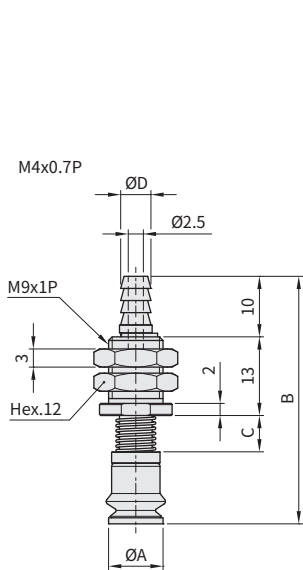
PAQ series Mark-free Vacuum Pad

Dimensions-Suction mark prevention PAQFS/ Vertical entry with spring **CHELIC**

■ PAQ **FS** - 06, 08 x **03**
 PAQ **FS** - 06, 08 x **10**

■ PAQ **FS** - 10, 15 x **04**
 PAQ **FS** - 10, 15 x **10**

■ PAQ **FS** - 20, 30, 40, 50 x **06**
 PAQ **FS** - 20, 30, 40, 50 x **15**



Unit: mm

Model	Size of PU tube Ø D	Pad dia. Ø A	Whole length B	C
PAQ FS - 06 x 03	6x4	6	40.9	6
PAQ FS - 06 x 10			54.9	20
PAQ FS - 08 x 03	6x4	9	40.9	6
PAQ FS - 08 x 10			54.9	20
PAQ FS - 10 x 04	6x4	10	58.9	8
PAQ FS - 10 x 10			70.9	20
PAQ FS - 15 x 04	6x4	13	60.4	8
PAQ FS - 15 x 10			72.4	20
PAQ FS - 20 x 06	6x4	18	73	12
PAQ FS - 20 x 15			90	30
PAQ FS - 30 x 06	6x4	28	78	12
PAQ FS - 30 x 15			95	30
PAQ FS - 40 x 06	6x4	40	75.5	12
PAQ FS - 40 x 15			92.5	30
PAQ FS - 50 x 06	6x4	50	77.5	12
PAQ FS - 50 x 15			94.5	30

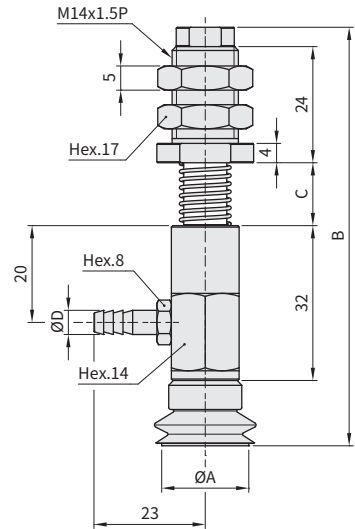
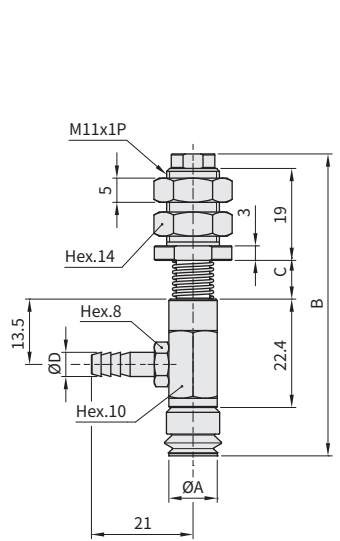
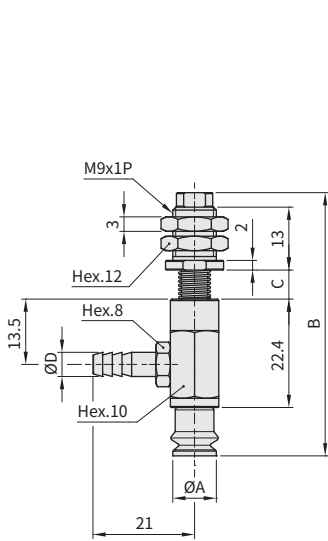
PAQ series Mark-free Vacuum Pad

Dimensions-Suction mark prevention PAQTS series/ Side entry with spring **CHELIC**

■ PAQ **TS** - 06, 08x **03**
PAQ **TS** - 06, 08x **10**

■ PAQ **TS** - 10, 15x **04**
PAQ **TS** - 10, 15x **10**

■ PAQ **TS** - 20, 30, 40, 50x **06**
PAQ **TS** - 20, 30, 40, 50x **15**



Unit: mm

Model	Size of PU tube Ø D	Pad dia. Ø A	Whole length B	C
PAQ TS - 06 x 03	6x4	6	54.4	6
PAQ TS - 06 x 10			68.4	20
PAQ TS - 08 x 03	6x4	9	54.4	6
PAQ TS - 08 x 10			68.4	20
PAQ TS - 10 x 04	6x4	10	62.4	8
PAQ TS - 10 x 10			74.4	20
PAQ TS - 15 x 04	6x4	13	63.9	8
PAQ TS - 15 x 10			75.9	20
PAQ TS - 20 x 06	6x4	18	86.5	12
PAQ TS - 20 x 15			103.5	30
PAQ TS - 30 x 06	6x4	28	91.5	12
PAQ TS - 30 x 15			108.5	30
PAQ TS - 40 x 06	6x4	40	91.5	12
PAQ TS - 40 x 15			108.5	30
PAQ TS - 50 x 06	6x4	50	93.5	12
PAQ TS - 50 x 15			110.5	30

PA

PB

PC

PAG

PAO

PAP

PAQ

PAW

PAL

PBL

PCL

PAR

PS

VP