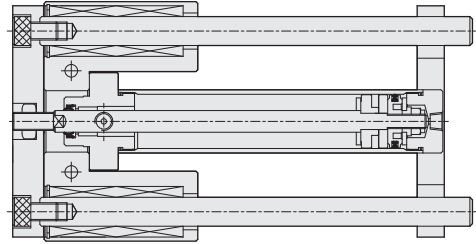
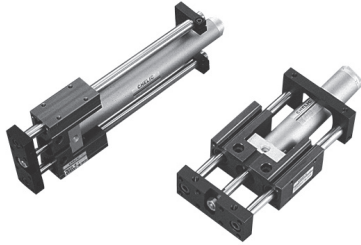


# TM series Guide Cylinder (Light load type)

## Product features

CHELIC

### Internal structure



### Specification

Item	Bore size (mm)	TM-20	TM-25	TM-32	TM-40
Action		Double acting			
Fluid		Air			
Pressure range	kgf/cm <sup>2</sup> (kPa)	1.5 ~ 7 ( 150 ~ 700 )			
Ambient and fluid temperature	°C	0 ~ 60			
Piston speed	mm/s	50 ~ 1000			
Theoretical force	Push (Note)	3.1xP	4.9xP	8.0xP	12.5xP
	Pull (Note)	2.6xP	4.1xP	6.9xP	10.5xP
Lubrication		Lubrication free type			
Port size		PT1/8			
Sensing device		With magnet			

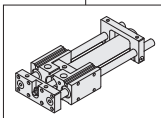
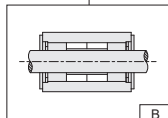
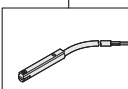
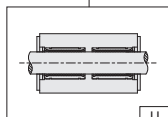
### Bore size and Stroke

Unit: mm

Bore size	Standard stroke
TM□ - 20	25, 50, 75, 100, 125, 150, 200, 250, 300
TM□ - 25	25, 50, 75, 100, 125, 150, 200, 250, 300
TM□ - 32	25, 50, 75, 100, 125, 150, 200, 250, 300
TM□ - 40	25, 50, 75, 100, 125, 150, 200, 250, 300

◀ Note: "P" indicates air pressure kgf/cm<sup>2</sup>

### Code of order

<b>TM</b>	<b>B</b>	<b>32</b>	×	<b>200</b>	-	<b>9D</b>	<b>32S</b>										
Model	Guide type	Bore size		Stroke		Sensor switch	Mounting bracket										
	 B	20 - Ø20 mm 25 - Ø25 mm 32 - Ø32 mm 40 - Ø40 mm		Ø20 - 25 ~ 300 mm Ø25 - 25 ~ 300 mm Ø32 - 25 ~ 300 mm Ø40 - 25 ~ 300 mm		 CS-9D Magnetic type 9D	<table border="1"> <thead> <tr> <th>Model</th> <th>Cylinder (Inner dia.)</th> </tr> </thead> <tbody> <tr> <td>20S</td> <td>Ø20</td> </tr> <tr> <td>25S</td> <td>Ø25</td> </tr> <tr> <td>32S</td> <td>Ø32</td> </tr> <tr> <td>40S</td> <td>Ø40</td> </tr> </tbody> </table>	Model	Cylinder (Inner dia.)	20S	Ø20	25S	Ø25	32S	Ø32	40S	Ø40
Model	Cylinder (Inner dia.)																
20S	Ø20																
25S	Ø25																
32S	Ø32																
40S	Ø40																
<b>TM:</b> Twin-guide cylinder unit	<b>B:</b> Bush guide					None: Without sensor switch											
	 U																
	<b>U:</b> Linear bearing guide																

TB(U)2

TA(R)

TSB(U)2

TXB(U)2

TMB(U)

GCB(U)

GHB(U)

TCR

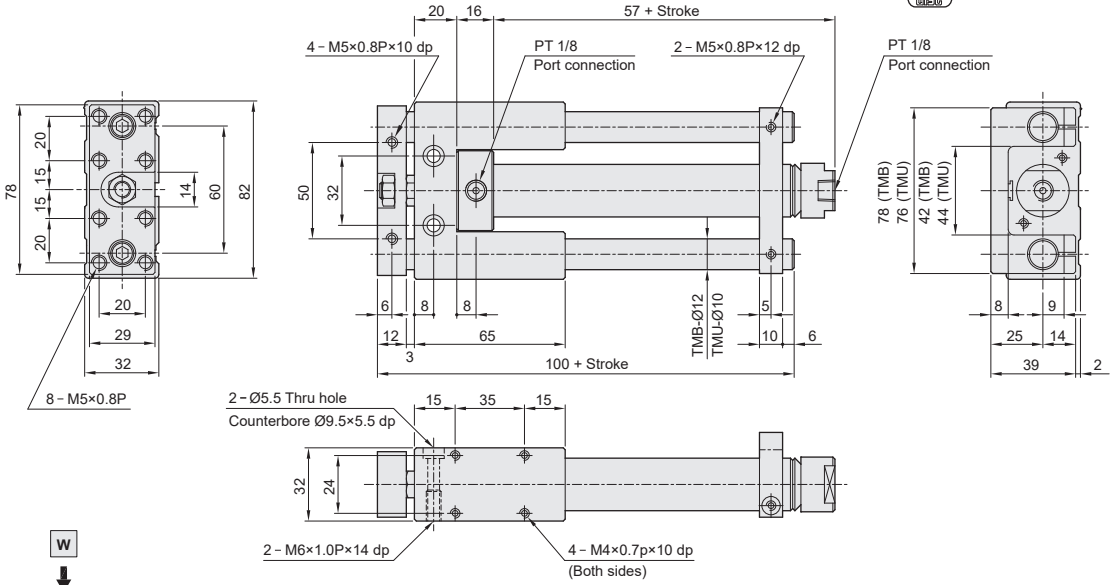
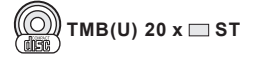
TCF

# TMB(U) series Guide Cylinder

## Dimensions

CHELIC

### ● TMB(U) Ø20 x

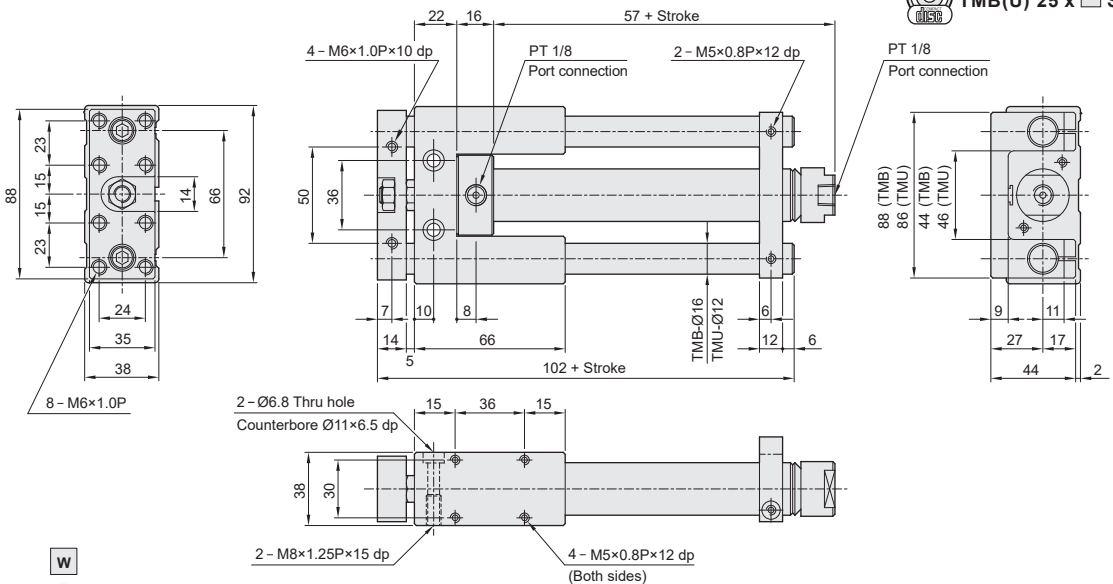
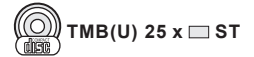


#### ● Max. allowable load

Unit: Kgf

Model	Stroke (mm)	50	75	100	125	150	175	200	250	300
TMB - 20		15	12	10	9	8	7	6	4	3
TMU - 20		4.5	4.5	4	3.8	3.5	3	2.5	1.8	1.2

### ● TMB(U) Ø25 x



#### ● Max. allowable load

Unit: Kgf

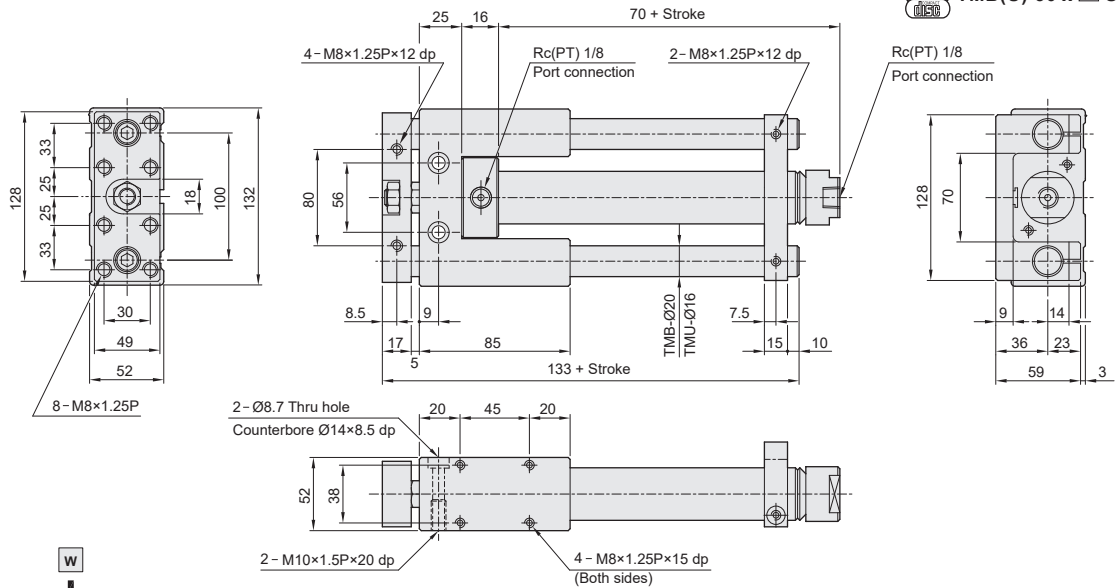
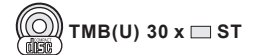
Model	Stroke (mm)	50	75	100	125	150	175	200	250	300
TMB - 25		25	25	23	20	16	14	12	10	8
TMU - 25		9	9	8	6.5	5.5	5	4	3	2

# TMB(U) series Guide Cylinder

## Dimensions

CHELIC

### ● TMB(U) Ø32 x

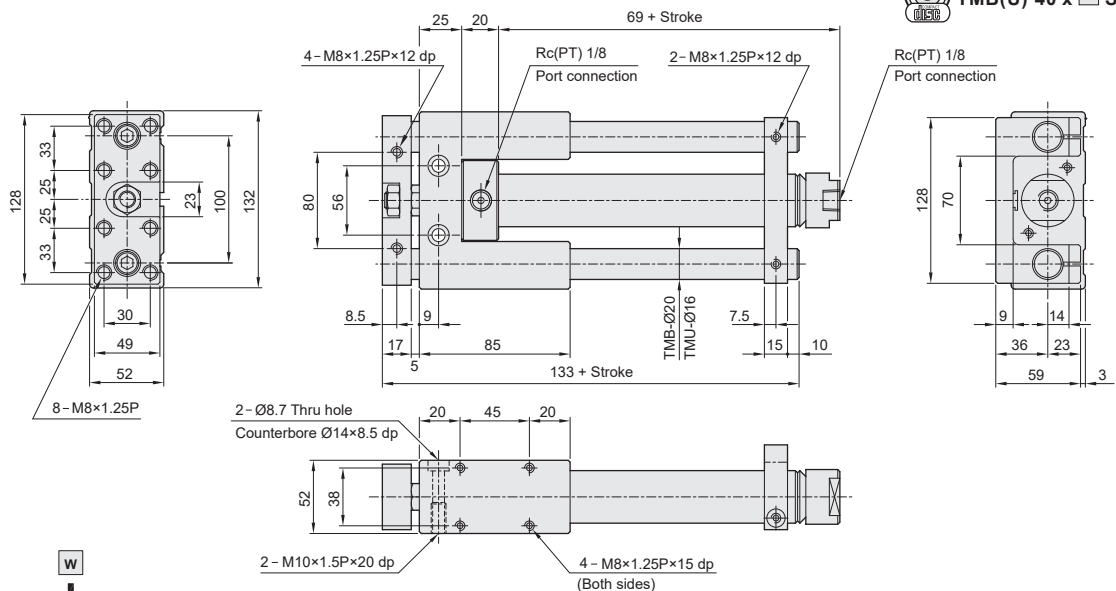
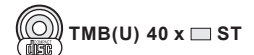


#### ● Max. allowable load

Unit: Kgf

Model	Stroke (mm)	50	75	100	125	150	175	200	250	300
TMB - 32		35	35	30	25	22	18	14	10	8
TMU - 32		12	12	11	9	8	7	6	5.5	5

### ● TMB(U) Ø40 x



#### ● Max. allowable load

Unit: Kgf

Model	Stroke (mm)	50	75	100	125	150	175	200	250	300
TMB - 40		38	38	32	27	24	20	15	11	9
TMU - 40		13	13	12	10	8	7	6	5.5	5

TB(U)2

TA(R)

TSB(U)2

TXB(U)2

TMB(U)

GCB(U)

GHB(U)

TCR

TCF