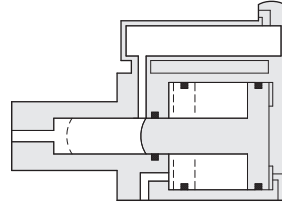


DH series Booster

Product features

CHELIC

Internal structure



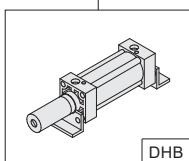
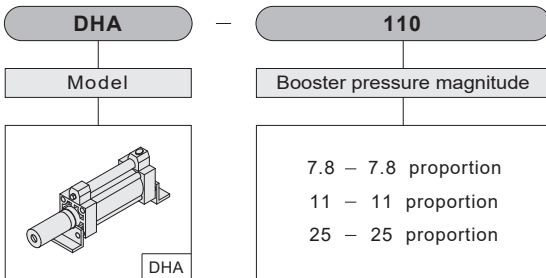
Function :

- Design to save energy, time, space and money in a wide variety of applications.
- These abilities and benefits of boosters make them the ideal component in many applications, you can use them for such operation as marking, forming punching riveting, shearing, steering, straightening, embossing welding and testing.

Specification

Item	Model	Single pressure type			Dual pressure type		
		DHA-78	DHA-110	DHA-250	DHB-78	DHB-110	DHB-250
Intensified pressure ratio		7.8	11	25	7.8	11	25
Generated hydraulic pressure	Kgf/cm ² (kPa)	53 (5300)	76 (7600)	172 (17200)	53 (5300)	76 (7600)	172 (17200)
Discharging volume	cc	50	120	150	50	120	120
Ambient and fluid temperature	°C	+ 5 ~ + 60					
Pressure range	Kgf/cm ² (kPa)	2 ~ 7 (200 ~ 700)					
Fluid		Hydraulic work oil viscosity					
Mounting type		With bracket					

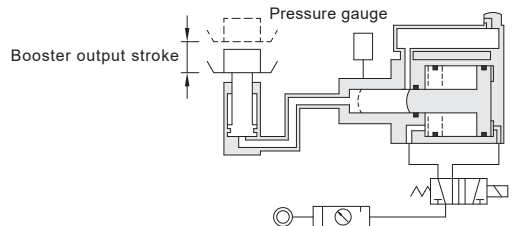
Code of order



DHB :
Dual pressure type

Working principle

The booster is an efficient way of generating high pressure hydraulic fluid.



The method of calculation

The measure of area for hydraulic $A = (\text{Inside diameter})^2 \times \frac{\pi}{4}$
 Booster output for hydraulic $P2 = \text{Multiple ratio} \times P$ (Air pressure MPa)
 Out put for hydraulic $F = A \times P2 = \text{___ N}$

DH series Booster

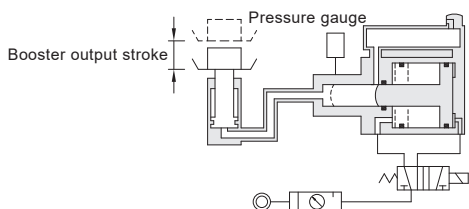
Instructions

CHELIC

Using and operating expression

Single pressure booster

(Use for short stroke and all stroke in high pressure)

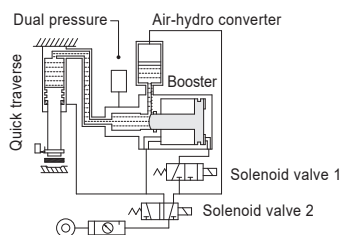


Dual pressure booster

(Use for long stroke and quick traverse in low pressure; Intensified feeding stroke in high pressure)

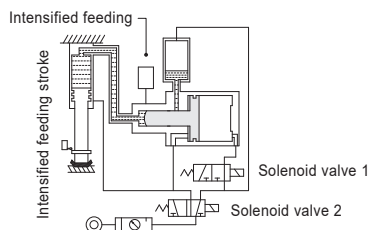
① Quick traverse

The booster is converted from pneumatic to hydraulic by a 1:1 ratio to move the cylinder.



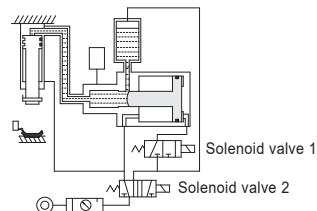
② Intensified feeding stroke

When it is close to the working piece, please use high hydraulic pressure in the booster to move the working piece.



③ Swift reverse

Upon completion of the work, the hydraulic cylinder must return and the booster must go back to the original position.



Points in usage:

- The booster must be leveled. Otherwise, hydraulic work will make oil overflow through air drainage.
- Use hydraulic oil.
- The booster must be installed higher than hydraulic cylinder.
 - The booster must be installed higher than hydraulic cylinder. When hydraulic oil is added it will drain air bubbles automatically.
 - When the booster's installation must be lower than the cylinder, it requires to draining the bubbles in the piping and cylinder first then fixing the movement of the cylinder.
- How to check the quantity of hydraulic oil :
 - Pour hydraulic oil to booster until the liquid's position is between the middle of indicator.
 - Please do not over fill; this is to avoid an overflow of oil, when the cylinder is active.
- Booster does not include the tube and fitting.
- The cycle of the booster must be less than 6 times per minute.
- If it is used with a single action hydraulic cylinder, (it uses spring power to return) and it does not press back hydraulic oil. Please change to a double action hydraulic cylinder.

Compressed air consumption

Unit: L/min

Booster	Air pressure (MPa)					
	0.2	0.3	0.4	0.5	0.6	0.7
DHA078	2.40	3.19	3.98	4.78	5.56	6.36
DHB078	2.40	3.19	3.98	4.78	5.56	6.36
DHA110	7.58	10.07	12.57	15.07	17.57	20.06
DHB110	7.58	10.07	12.57	15.07	17.57	20.06
DHA250	18.09	24.06	30.02	35.99	41.95	47.92
DHB250	18.09	24.06	30.02	35.99	41.95	47.92

DC

DH

PCB

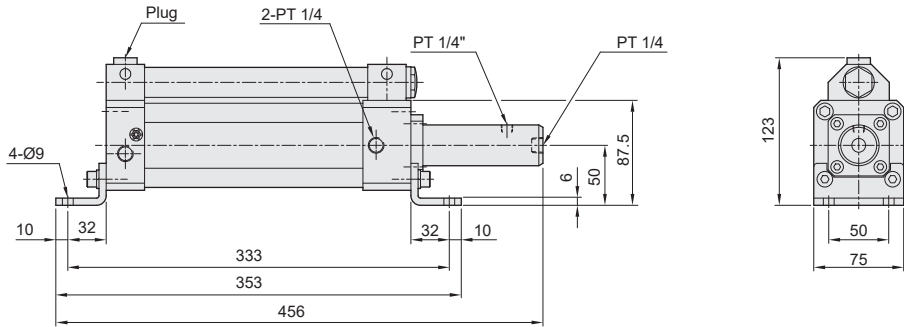
PCU

DH series Booster

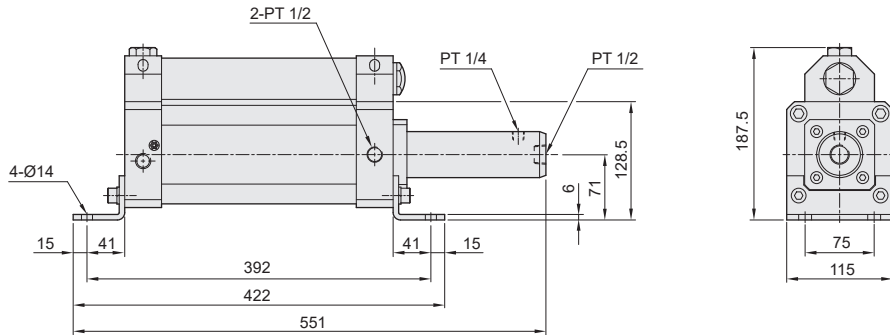
Dimensions

CHELIC

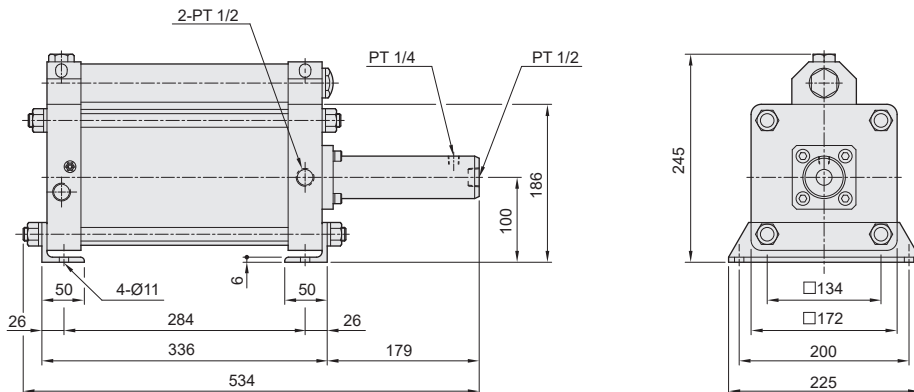
○ DHA-78



○ DHA-110



○ DHA-250

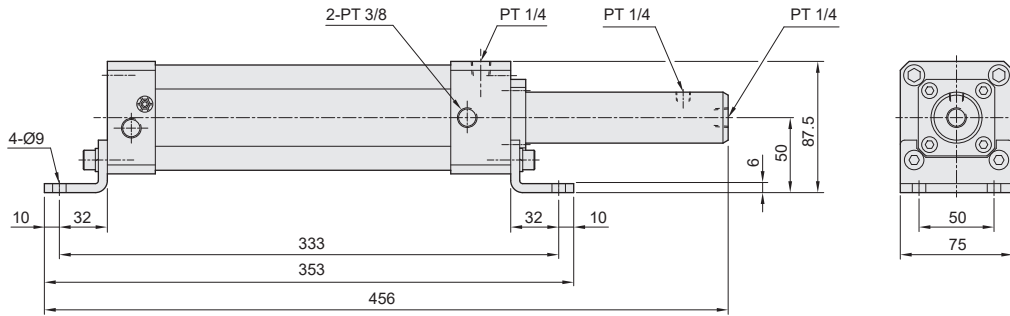


DH series Booster

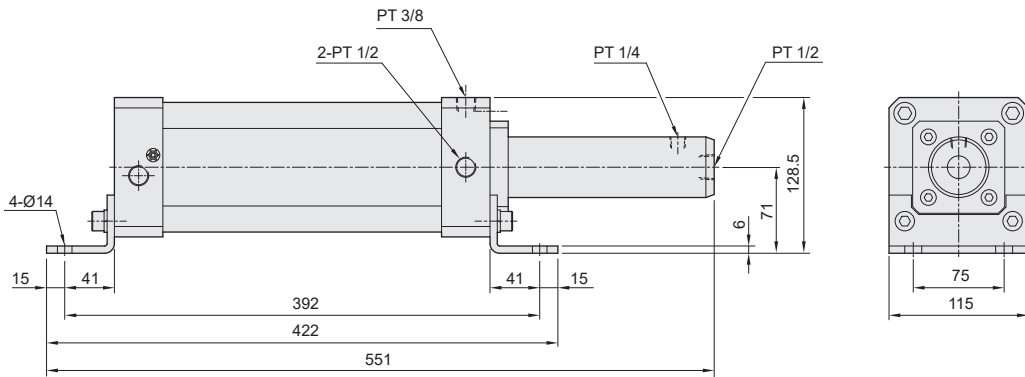
Dimensions

CHELIC

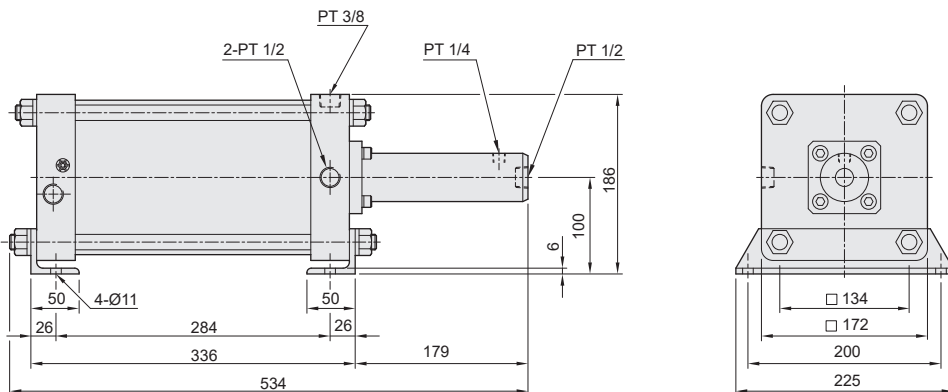
○ DHB-78



○ DHB-110



○ DHB-250



- DC
- DH
- PCB
- PCU